



The technical data and specifications of the products shown in this catalogue are for reference only, and apply to products available at the time of catalogue printing in Nov. 2018. Product modification often involves changes to technical data and size, and it is therefore recommended that the buyer request the latest technical data and specifications before placing a purchasing contract.

Future updates to this printed catalogue can be found at <https://www.yamaichi.de/downloads/product-catalogues.html>

TABLE OF CONTENTS - INPUT / OUTPUT CONNECTORS

FAKRA AND HSD	5 - 9
SERIES HF	
Y-QUAD	10
SERIES Y-QUAD	
USB	11 - 46
SERIES USB3.1, Type A and B (page 11)	
SERIES USB3.0, Micro (page 14)	
SERIES USB3.0, Type A and B (page 18)	
SERIES USB2.0, Type A and B (page 27)	
SERIES USB2.0, Mini and Micro (page 37)	
For Industrial USB Connectors - Y-Con (please refer to our separate Y-Con Catalogue)	
INDUSTRIAL RJ45 CONNECTORS Y-CON	47
RJ45 STANDARD PLUGS AND JACKS	48 - 56
SERIES TS	
HDMI	57 - 62
SERIES HDMI	
DISPLAY PORT	63- 68
SERIES DP, DPS	
CIRCULAR PUSH-PULL CONNECTORS Y-CIRC P	69, 70
CIRCULAR METRIC CONNECTORS Y-CIRC M	71
MINI DELTA RIBBON	72 - 77
SERIES NCP, NCS, NHA	
HIGH DENSITY AND STANDARD D-SUB	78 - 97
SERIES CT, D**	
MINIDIN	98 - 106
SERIES MINIDIN (G, J, K, SS, P/POT, SP/SSP, PP AND CTMD)	
EARPHONE JACKS	107, 108
SERIES LJE	
CABLES ASSEMBLIES - OUR SERVICE	BACK PAGES
GENERAL TERMS OF AGREEMENT	
PART NUMBER INDEX	

YAMAICHI ELECTRONICS FACTS & FIGURES

Foundation:	Headquarters, Tokyo: 1956 European Headquarter, Aschheim near Munich: 1986
Turnover:	Worldwide 230 m € p.a., Europe 75 m € p.a.
Employees:	Over 2,100, in Europe 285
Certification:	DIN EN ISO 9001:2015 (HQ and production EU) ISO 14001:2015 (production in Frankfurt/Oder) ISO/TS 16949 (selected production sites)
Locations:	Worldwide 7 production sites, 6 design centers, 13 sales locations

as of May 2018

PRODUCT RANGE

Yamaichi Electronics designs, manufactures and markets high performance interconnection devices, also for use in the most demanding applications of electronic systems: with High-Temperature environments, protected interconnections for harsh environments and high-speed interconnections for data networking applications. The portfolio covers high precision fine pitch IC sockets, connectors, cable assemblies and flexible printed circuits.

YAMAICHI EUROPE

Yamaichi Electronics Deutschland GmbH, located in Aschheim near Munich, is your European partner for connectivity solutions covering Industrial, Automotive, Measurement & Testing, Data Networking, Medical and Embedded & Semiconductor applications.

Two Divisions:

Connector Solutions: Portfolio: Connectors for Industrial use, for example circular connectors Y-Circ® M (M12) and Y-Circ® P (Push-Pull), Y-Con® Series (RJ45 and USB). Automotive connectors FAKRA/HSD, Quadlock (Y-QUAD) and others, card connectors, high speed connector systems and latest input /output connectors. Internal connectors for high end applications (Y-Lock® series). Data networking connectors, cables and cable assemblies as well as production sockets.

Test Solutions: Portfolio: IC semiconductor test & burn-in sockets, modular test contactors, test adapter systems for computer-on-modules, receptacles, spring probe pins, PCB design.

In all product areas we offer customer specific solutions.

ENGINEERING

Two design centers in Munich (Germany) and Sousse (Tunisia) react quickly to market challenges and work with the most modern technologies for the realisation of customer needs from product ideas to qualified mass production. Two fully equipped inhouse test laboratories allow internal product qualification and guarantee convincing product quality.

PRODUCTION FOR THE EUROPEAN MARKET

In our production facility in Frankfurt (Oder) we have been manufacturing connectors and complex cable assemblies for e.g. industrial or medical applications since 2006. In the area of test solutions we produce high end test contactors, module test adapters and receptacles. We offer special know-how in overmolding, welding, resistance welding and machining technologies. To ensure highest quality and short delivery times we have a high grade of vertical range of manufacturing and established a reliable European supplier network.

YAMAICHI ELECTRONICS ZAHLEN & FAKTEN

Firmengründung:	Konzernsitz, Tokyo: 1956 Europäische Zentrale, Aschheim bei München: 1986
Umsatz:	weltweit 230 Mio € p.a., Europa 75 Mio € p.a.
Mitarbeiter:	über 2.100 weltweit, 285 in Europa
Zertifizierung:	DIN EN ISO 9001:2015 (HQ und Produktion EU) ISO 14001:2015 (Produktion in Frankfurt/Oder) ISO/TS 16949 (ausgewählte Produktionsstandorte)
Standorte:	weltweit 7 Produktionsstandorte, 6 Design-Zentren, 13 Vertriebszentren

LEISTUNGSSPEKTRUM

Yamaichi Electronics entwickelt, produziert und vermarktet hochleistungsfähige elektromechanische Komponenten, auch für anspruchsvollste Anwendungen in elektronischen Systemen: für den Hochtemperaturbereich, geschützt für den Einsatz unter rauen Umgebungsbedingungen und High Speed Verbindungstechnik für Daten Networking Anwendungen. Das Portfolio umfasst hochpräzise Fine pitch IC Sockel, Steckverbinder, Kabelassemblierungen und flexible Leiterplatten.

YAMAICHI EUROPA

Yamaichi Electronics Deutschland GmbH, mit Sitz in Aschheim bei München, ist Ihr europäischer Ansprechpartner für Verbindungstechnik. Lösungen für Applikationen in: Automatisierung, Automotive, Meß- und Prüftechnik, Data Networking, Medizintechnik und Halbleiterindustrie.

Zwei Bereiche:

Connector Solutions: Portfolio: Industriesteckverbinder, z.B. Rundsteckverbinder Y-Circ® M (M12) und Y-Circ® P (Push-Pull), Y-Con® (RJ45 and USB). Automotive Steckverbinder FAKRA/ HSD, Quadlock (Y-QUAD) und andere spezielle Automotive Lösungen, Kartensteckverbinder, High Speed Steckverbindersysteme und neueste Input /Output Steckverbinder. Interne Steckverbinder für High End Applikationen (Y-Lock® Serie). Data Networking Steckverbinder, Kabel und Kabelassemblierungen, Produktionssockel.

Test Solutions: Portfolio: IC Halbleiter Test & Burn-In Sockel, modulare Test Contactoren, Test Adapter Systeme für Computer-on-Modules, Receptacles, Federkontaktstifte, PCB Design.

In allen Produktbereichen bieten wir kundenspezifische Lösungen an.

ENGINEERING

Mit zwei Design-Zentren in München und Sousse (Tunesien) ist die schnelle Reaktion auf Marktanforderungen und Kundenwünsche sichergestellt. Unser Entwicklungsteam arbeitet mit den modernsten Technologien zur Realisierung von Kundenanforderungen. Umfangreich ausgestattete hauseigene Testlabore ermöglichen die interne Qualifizierung von Produkten und gewährleisten überzeugende Produktqualität.

PRODUKTION FÜR DEN EUROPÄISCHEN MARKT

An unserem Fertigungstandort in Frankfurt (Oder) werden seit 2006 Steckverbinder und komplexe Kabelassemblierungen für z.B. Industrie- oder Medizinanwendungen hergestellt. Im Bereich Test Solutions werden High End Test Contactors, Modultestadapter und Receptacles gefertigt. Wir bieten Spezial-Know How in den Fertigungstechnologien Spritzguss, Schweißen, Widerstandsschweißen und Zerspanungstechnik. Die hohe Fertigungstiefe sowie in Europa ansässige zuverlässige Zulieferfirmen garantieren hochwertige Produkte und kurze Lieferzeiten.

FAKRA connectors (FAKRA = FACHKReis Automobil, a German automobile working group) are coaxial high-frequency connectors that meet the requirements of DIN20860 and USCAR 17 & 18. Their application lies in the transmission of a variety of signals, such as shortwave, mobile telephony, GPS, or telematics signals. Thanks to standardisation, each application is assigned a specific colour and mechanical code to ensure proper connections between the board and cable sides.

Since continued growth in demand for higher data transmission rates means that the one-pin FAKRA connector is no longer sufficient for some applications, the HSD interface has been defined (High Speed Data). This plug connector system is used for signals like USB or IEEE1394, for example. For the HSD interface, signal transmission via LVDS (Low Voltage Differential Signaling) is used. This reduces crosstalk between signals and interference from external signals to a minimum. The system is 100Ω impedance controlled, so it brings top quality to signal transmission.

All Yamaichi Fakra and HSD series with defined requirements of FAKRA and HSD and enhance the Yamaichi Electronics automotive product family.



SPECIFICATIONS

Insulation Resistance: 1,000MΩ min. at 100V DC
 Withstanding Voltage: AC 750V min. 60Hz
 Voltage Rating: AC 335V
 Current Rating: 1.0A max.
 Contact Resistance: 5mΩ max. at 20mV max.
 Operating Temp. Range: -40°C to +105°C
 Mating Cycles: 25 insertions

MATERIALS AND FINISH

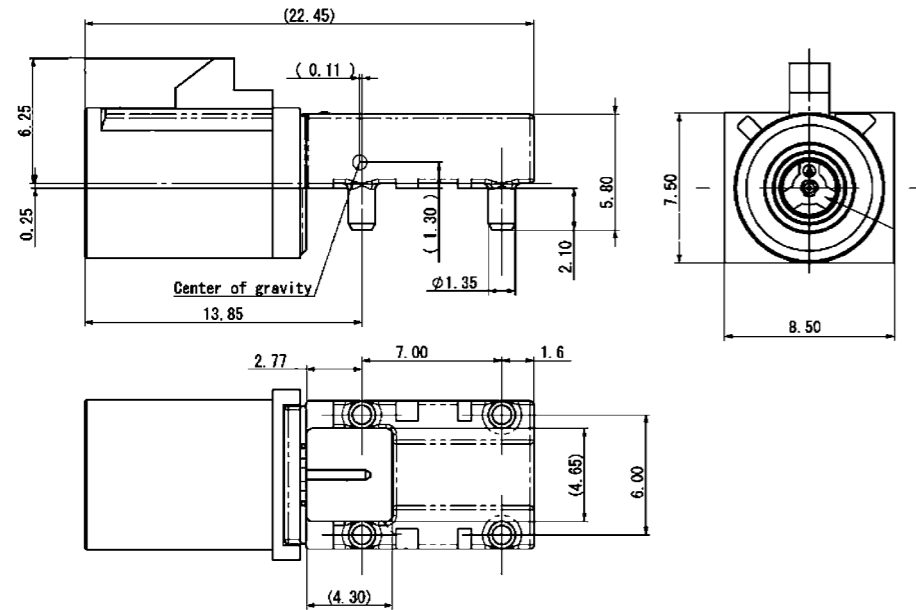
Insulator: LCP
 Housing: PA
 Outer Contact: (ZDC) Sn over Ni
 Centre Contact: Au over Ni

**AUTOMOTIVE
COMPLIANT**

FEATURES

- Fakra developed and tested for Automotive applications
- Die-cast type
- According to DIN ISO 20860 & USCAR 18 & 18
- Colour and mechanical coding
- Tape and reel packaging
- RoHS2011/65/EU

OUTLINE DIMENSIONS

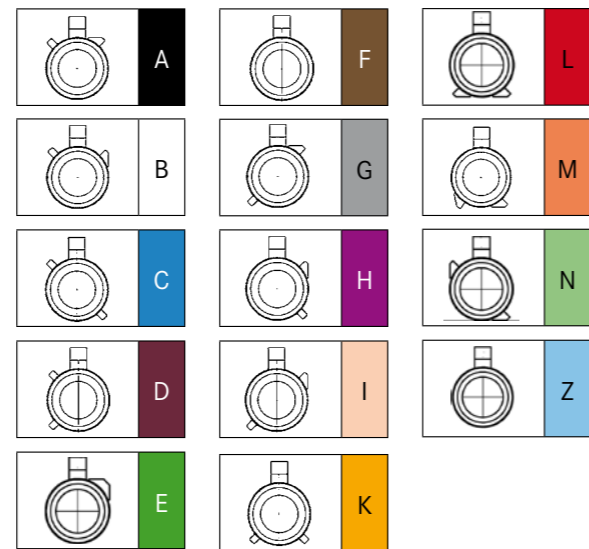
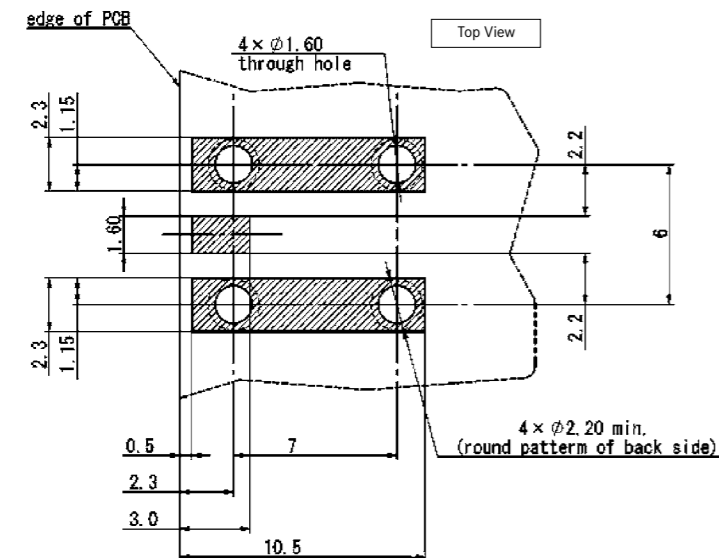


PART NUMBER

HF106P - 0001 - X-VE

Series No.
Pin Contacts: 1 Pin
Colour and Housing Coding (see also table below)
A = Black
B = White
C = Blue
D = Bordeaux
E = Green
F = Brown
G = Grey
H = Violet
I = Beige
K = Curry
L = Carmine Red
M = Pastel Orange
N = Pastel Green
Z = Water Blue

RECOMMENDED PCB LAYOUT



SPECIFICATIONS

Insulation Resistance: 1,000MΩ min. at 100V DC
 Withstanding Voltage: AC 750V min. 60Hz
 Voltage Rating: AC 335V
 Current Rating: 1.0A max.
 Contact Resistance: 5mΩ max. at 20mV max.
 Operating Temp. Range: -40°C to +105°C
 Mating Cycles: 25 insertions

MATERIALS AND FINISH

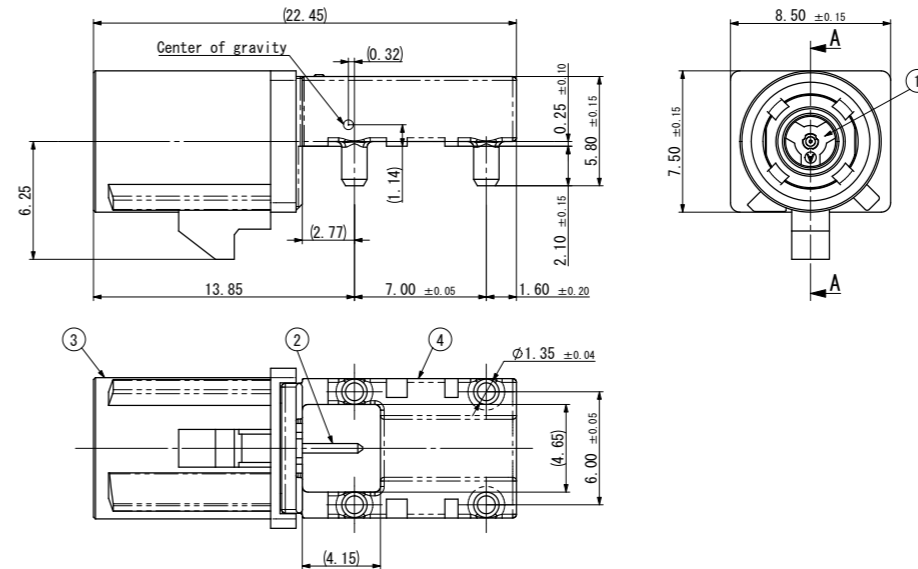
Insulator: LCP
 Housing: PA
 Outer Contact: (ZDC) Sn over Ni
 Centre Contact: Au over Ni

**AUTOMOTIVE
COMPLIANT**

FEATURES

- Fakra developed and tested for Automotive applications
- Die-cast type
- According to DIN ISO 20860 & USCAR 18 & 18
- Colour and mechanical coding
- Tape and reel packaging
- RoHS2011/65/EU

OUTLINE DIMENSIONS

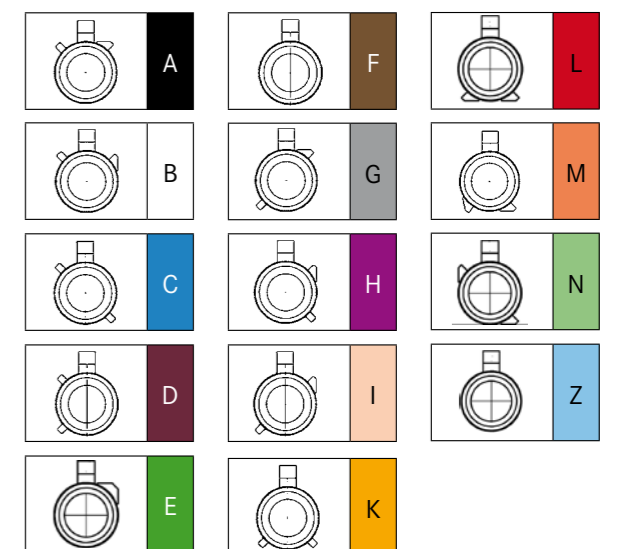
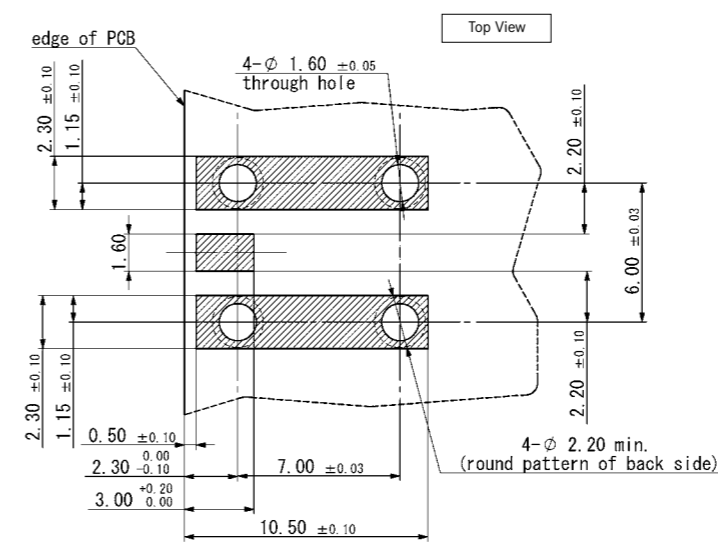


PART NUMBER

HF106P - 0001 - X-VE

Series No.
Pin Contacts: 1 Pin
Colour and Housing Coding (see also table below)
A = Black
B = White
C = Blue
D = Bordeaux
E = Green
F = Brown
G = Grey
H = Violet
I = Beige
K = Curry
L = Carmine Red
M = Pastel Orange
N = Pastel Green
Z = Water Blue

RECOMMENDED PCB LAYOUT



SPECIFICATIONS

Insulation Resistance: 1,000MΩ min. at 100V DC
 Withstanding Voltage: AC 750V min. 60Hz
 Voltage Rating: AC 335V
 Current Rating: 1.0A max.
 Contact Resistance: 5mΩ max. at 20mV max.
 Operating Temp. Range: -40°C to +105°C
 Mating Cycles: 25 insertions

MATERIALS AND FINISH

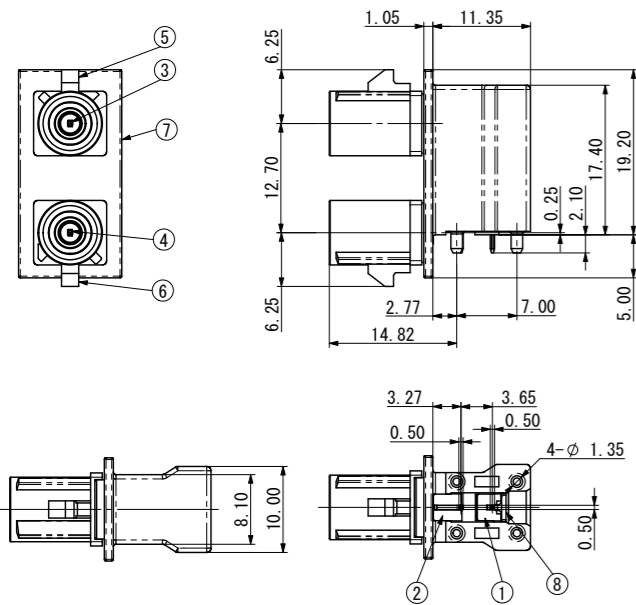
Insulator: LCP
 Housing: PA
 Outer Contact: (ZDC) Sn over Ni
 Centre Contact: Au over Ni

AUTOMOTIVE COMPLIANT

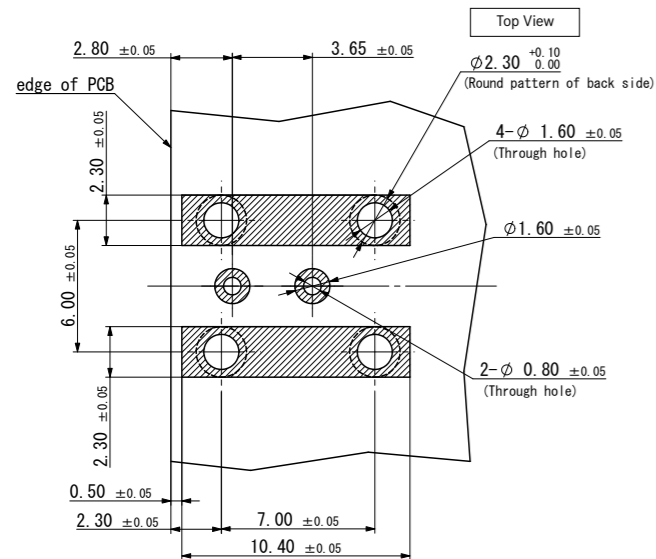
FEATURES

- Fakra developed and tested for Automotive applications
- Die-cast type
- According to DIN ISO 20860 & USCAR 18 & 18
- Colour and mechanical coding
- Tape and reel packaging
- RoHS2011/65/EU

OUTLINE DIMENSIONS



RECOMMENDED PCB LAYOUT

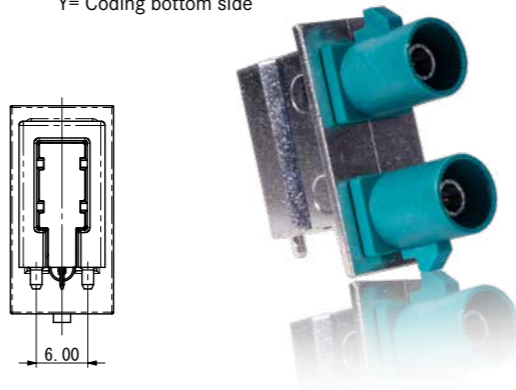


PART NUMBER

HF110P - 0001 - XY-VE

Series No. []
 Pin Contacts: 1 Pin []
 Colour and Housing Coding (see also table below)
 A = Black
 B = White
 C = Blue
 D = Bordeaux
 E = Green
 F = Brown
 G = Grey
 H = Violet
 I = Beige
 K = Curry
 L = Carmine Red
 M = Pastel Orange
 N = Pastel Green
 Z = Water Blue

X = Coding top side
 Y = Coding bottom side



SPECIFICATIONS

Insulation Resistance: 1,000MΩ min. at 100V DC
 Withstanding Voltage: 500V min. 60Hz
 Voltage Rating: AC 100V
 Current Rating: 1.5A max. (power pin 5.0A max.)
 Contact Resistance: 10mΩ max. at 20mV max.
 Operating Temp. Range: -40°C to +105°C
 Mating Cycles: 25 insertions

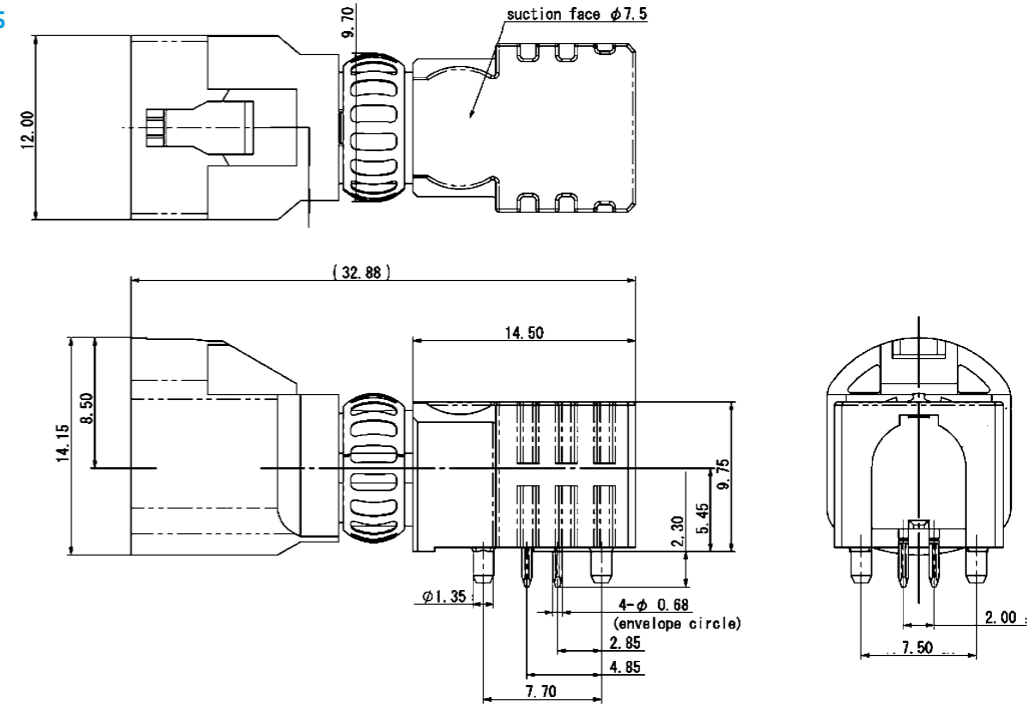
MATERIALS AND FINISH

Insulator: LCP
 Spring Washer: BS
 Outer Contact: Sn over Ni
 Centre Contact: Au over Ni

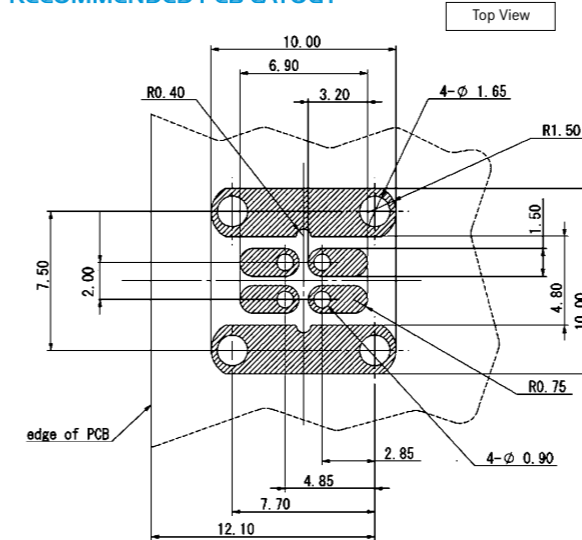
FEATURES

- Developed and tested for Automotive applications
- Die-cast type
- Primary and secondary locking
- 100Ω Differential Impedance controlled
- Tape and reel packaging
- RoHS2011/65/EU

OUTLINE DIMENSIONS



RECOMMENDED PCB LAYOUT



PART NUMBER

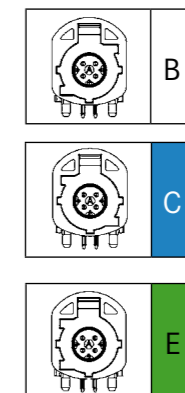
HF107P - 0001 - X

Series No. []
 Pin Contacts: 1 Pin []
 Colour and Housing Coding (see also table below)
 B = White
 C = Blue
 E = Green

AUTOMOTIVE COMPLIANT



COLOUR AND HOUSING CODING

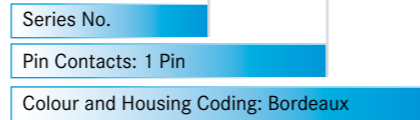


SPECIFICATIONS

Insulation Resistance: 1,000MΩ min. at 100V DC
 Withstanding Voltage: 500V min. 60Hz
 Voltage Rating: AC 100V
 Current Rating: 1.5A max. (power pin 5.0A max.)
 Contact Resistance: 10mΩ max. at 20mV max.
 Operating Temp. Range: -40°C to +105°C
 Mating Cycles: 25 insertions

PART NUMBER

HF108P - 0001 - OD



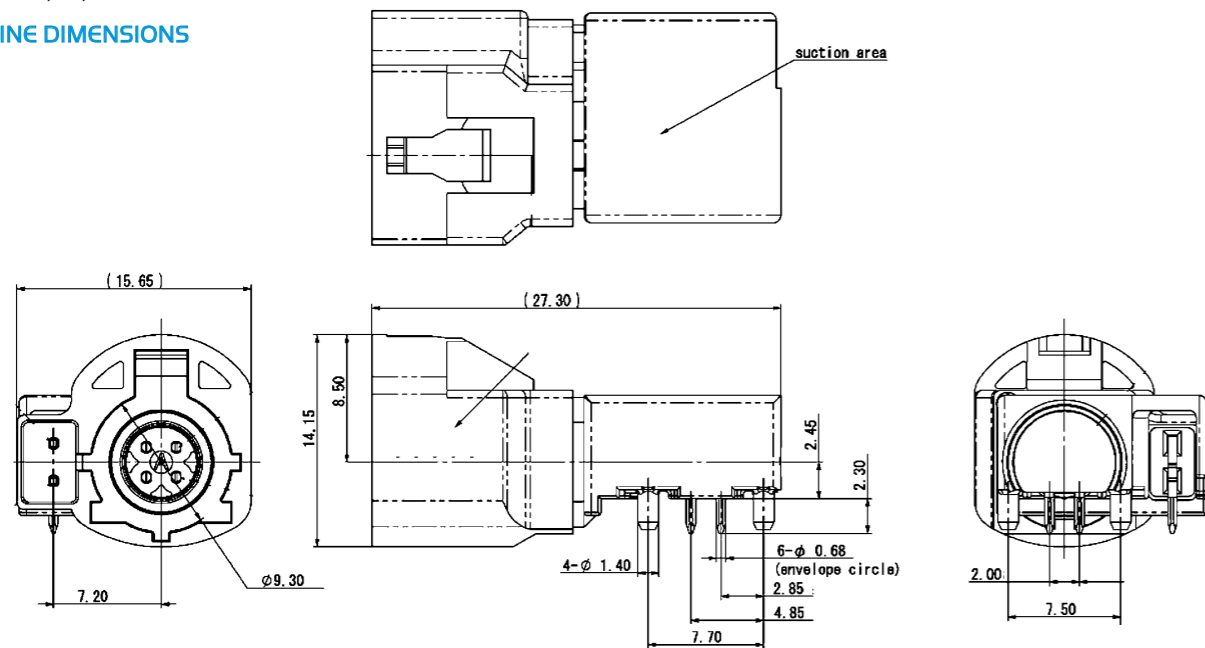
MATERIALS AND FINISH

Insulator: LCP
 Housing: PA
 Cover: NS
 Power Contact: Sn over Ni
 Outer Contact: Sn over Ni
 Centre Contact: Au over Ni

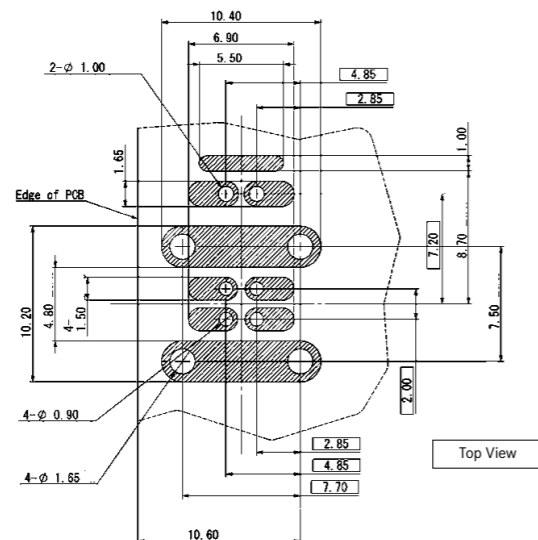
FEATURES

- Developed and tested for Automotive applications
- Die-cast type
- Two additional power pins up to 5A each
- Primary and secondary locking
- 100Ω Differential Impedance controlled
- Tape and reel packaging
- RoHS2011/65/EU

OUTLINE DIMENSIONS



RECOMMENDED PCB LAYOUT

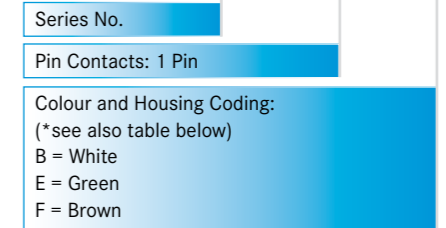


SPECIFICATIONS

Insulation Resistance: 1,000MΩ min. at 100V DC
 Withstanding Voltage: 250V min. 60Hz
 Voltage Rating: AC 100V
 Current Rating: 1.5A max.
 Contact Resistance: 20mV max. at 10mA max.
 Operating Temp. Range: -40°C to +105°C
 Mating Cycles: 25 insertions

PART NUMBER

HF109P - 0001 - O*



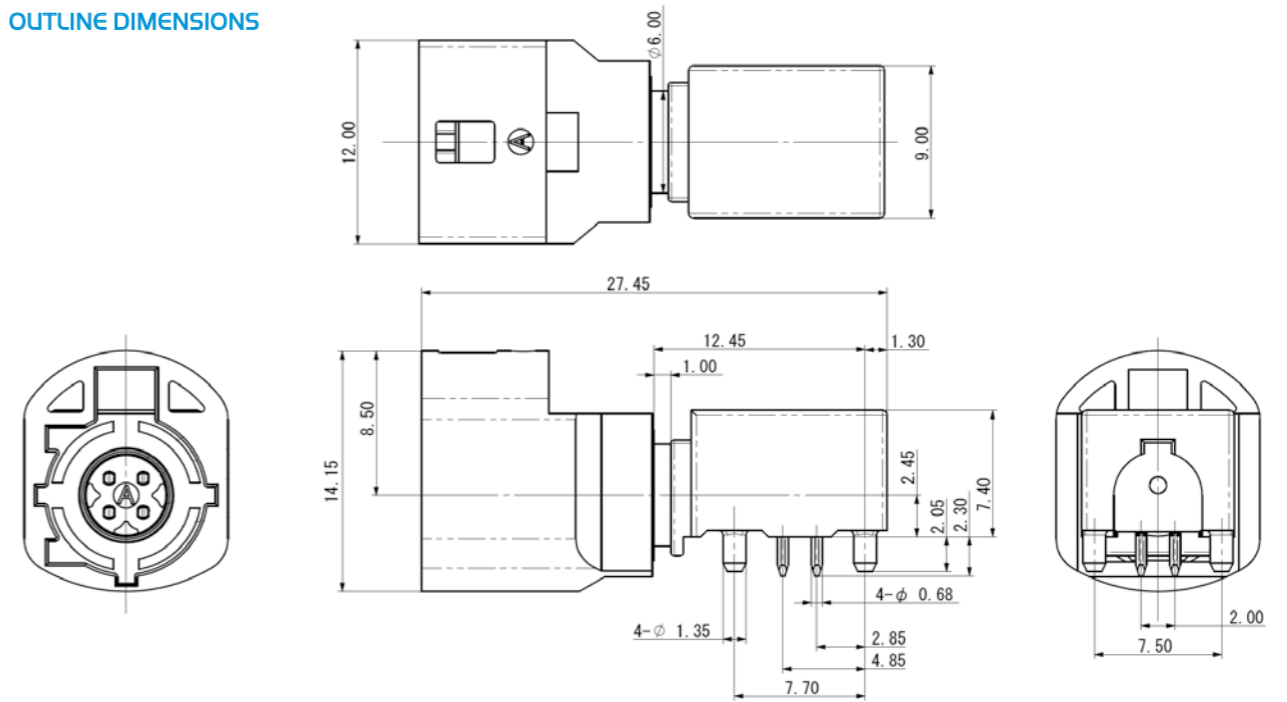
MATERIALS AND FINISH

Insulator: LCP
 Outer Contact: Sn over Ni
 Centre Contact: Au over Ni

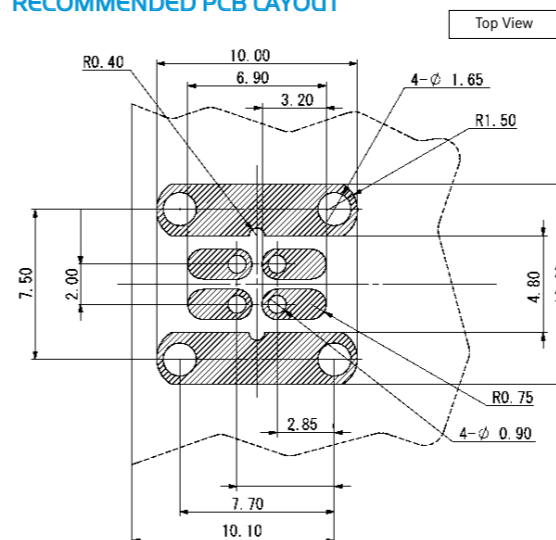
FEATURES

- Developed and tested for Automotive applications
- Die-cast type
- Primary and secondary locking
- 100Ω Differential Impedance controlled
- Tape and reel packaging
- RoHS2011/65/EU

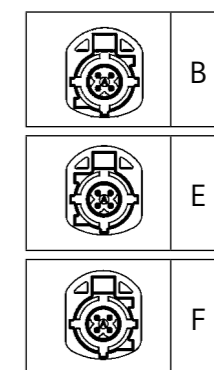
OUTLINE DIMENSIONS



RECOMMENDED PCB LAYOUT



COLOUR AND HOUSING CODING



* Further codings on request

SPECIFICATIONS

Operating Temp. Range: -40°C to +85°C

ELECTRICAL FUNCTIONS

Power Pins (2 pcs.) 16A/couple at 14.4V
Loudspeaker Pins (10 pcs.)
Rest of Pins 4A per Pin at 14.4V

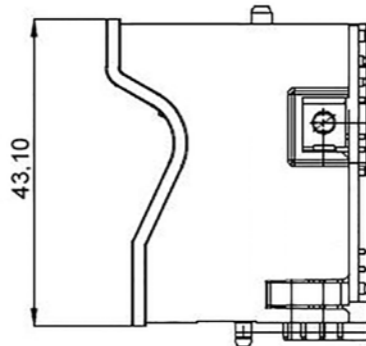
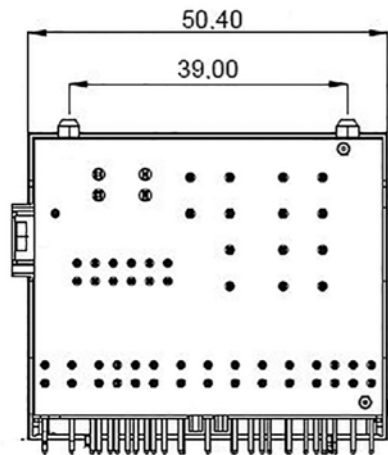
MATERIALS AND FINISH

Insulator: PBT
Contacts: Copper Alloy
Plating: Tin

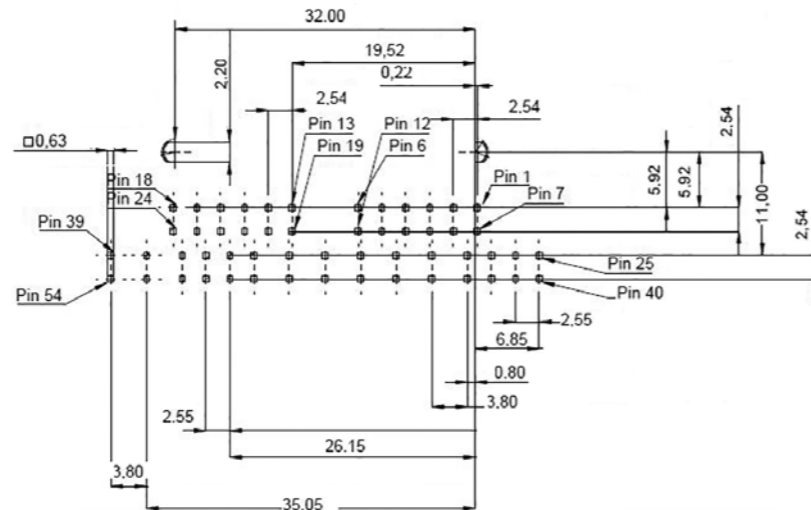
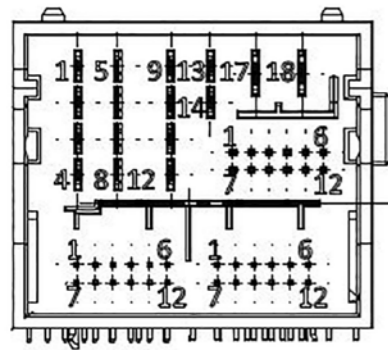
FEATURES

- Y-Quad - Quadlock system connector
- 52 Input pins
- Optimized PCB Layout
- Through Hole wave soldering version
- Ground contact placed on the side of the connector for selftapping screws
- RoHS2011/65/EU

OUTLINE DIMENSIONS



RECOMMENDED PCB LAYOUT



SPECIFICATIONS

Operating Temp. Range: -40°C to +85°C

ELECTRICAL FUNCTIONS

Power Pins (2 pcs.) 16A/couple at 14.4V
Loudspeaker Pins (10 pcs.)
Rest of Pins 4A per Pin at 14.4V

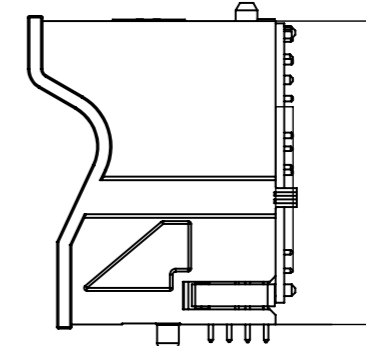
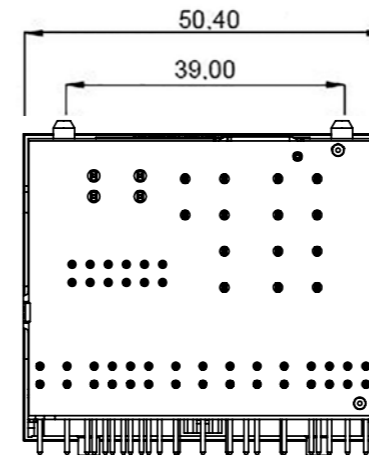
MATERIALS AND FINISH

Insulator: PBT or PA10T (based on version)
Contacts: Copper Alloy
Plating: Tin

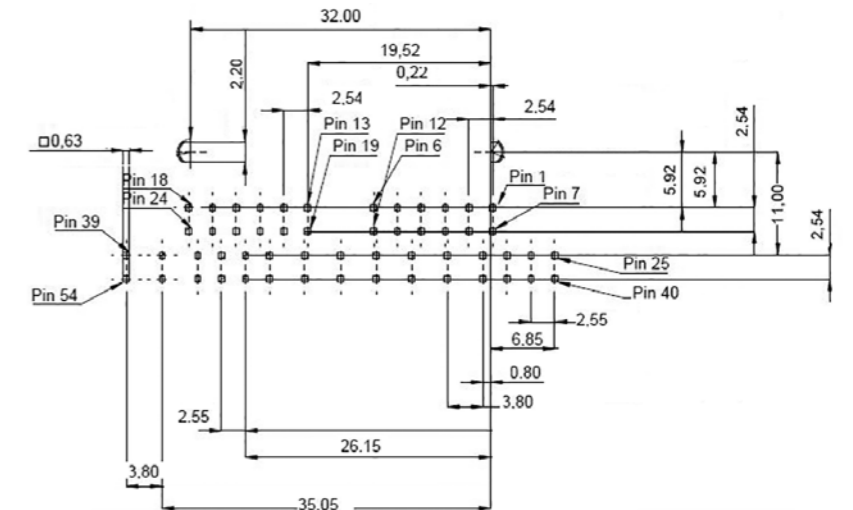
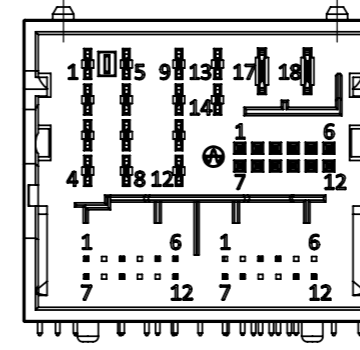
FEATURES

- Y-Quad - Quadlock system connector
- 52 Input pins
- Optimized PCB Layout
- Through Hole wave soldering or reflow version available
- Version with ground on top
- Customized pin count on request
- RoHS2011/65/EU

OUTLINE DIMENSIONS



RECOMMENDED PCB LAYOUT



**AUTOMOTIVE
COMPLIANT**

PART NUMBER

Y-QLS-52P-LL-THT9-P-EDC

Series No.	↑
52P = 52 Input Pins	↑
LL = Tin Plating	↑
THT9 = 90° Wave Soldering	↑
P = With Backside PCB	↑
EDC = Design No.	↑



**AUTOMOTIVE
COMPLIANT**

PART NUMBER

Y-QLS-52P-LL - THX9 - P-EDC

Series No.	↑
52P = 52 Input Pins	↑
LL = Tin Plating	↑
THR9 = Through hole reflow soldering version THT9 = Through hole wave soldering version	↑
P = With Backside PCB	↑
EDC = Design No.	↑



SPECIFICATIONS

Operating Temp. Range: -40°C to +85°C

ELECTRICAL FUNCTIONS

Power Pins (2 pcs.) 16A/couple at 14.4V
 Loudspeaker Pins (10 pcs.)
 Rest of Pins 4A per Pin at 14.4V

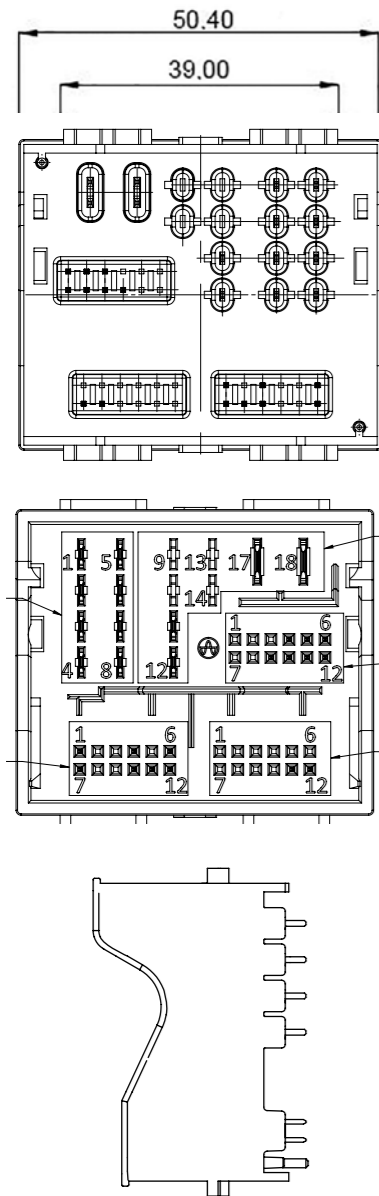
MATERIALS AND FINISH

Insulator: PBT or PA10T (based on version)
 Contacts: Copper Alloy
 Plating: Tin

FEATURES

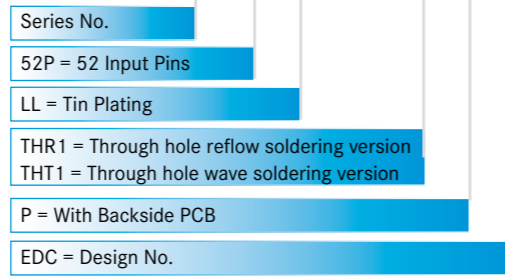
- Y-Quad - Quadlock system connector
- 52 Input pins
- Optimized PCB Layout
- Through Hole wave soldering or reflow version available
- Customized pin count on request
- RoHS2011/65/EU

OUTLINE DIMENSIONS



PART NUMBER

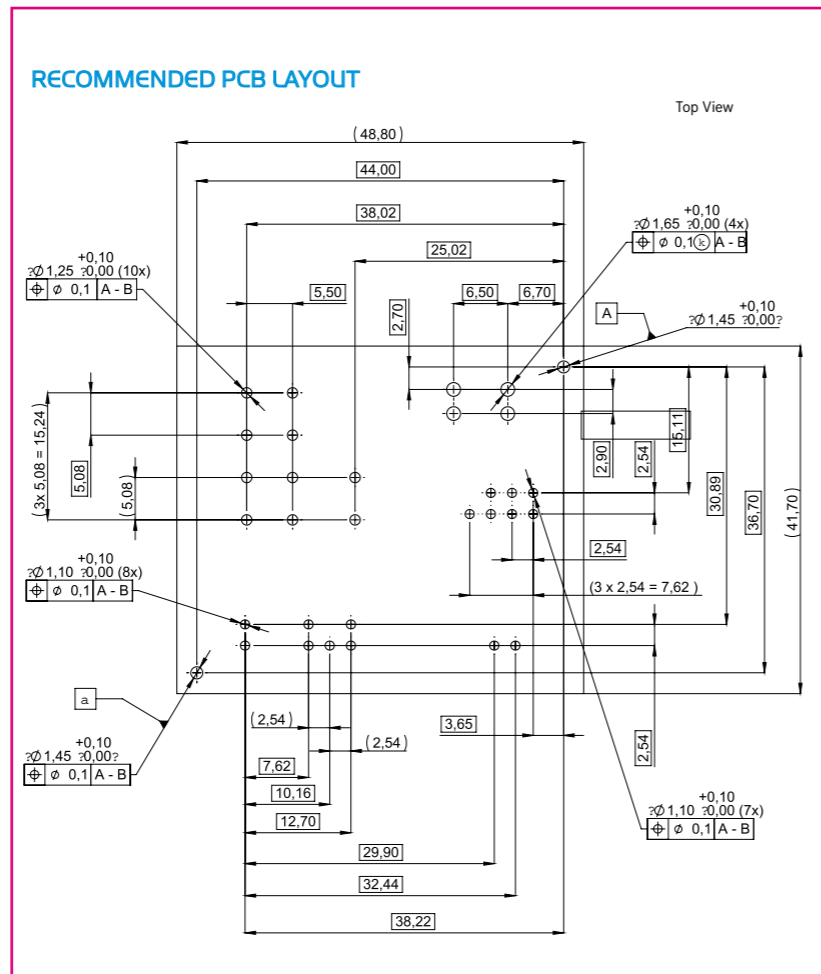
Y-QLS-52P-LL - THX1 - P-EDC



AUTOMOTIVE COMPLIANT



RECOMMENDED PCB LAYOUT



SPECIFICATIONS

Insulation Resistance: 100MΩ min. at 100V DC
 Current Rating: 1.8A max.
 Voltage Rating: 100V AC
 Contact Resistance: 30mΩ max. (initial for VBUS and GND contacts)
 50mΩ max. (initial for all other contacts)
 Withstanding Voltage: 100V AC for 1 minute
 Operating Temp. Range: -20°C to +85°C

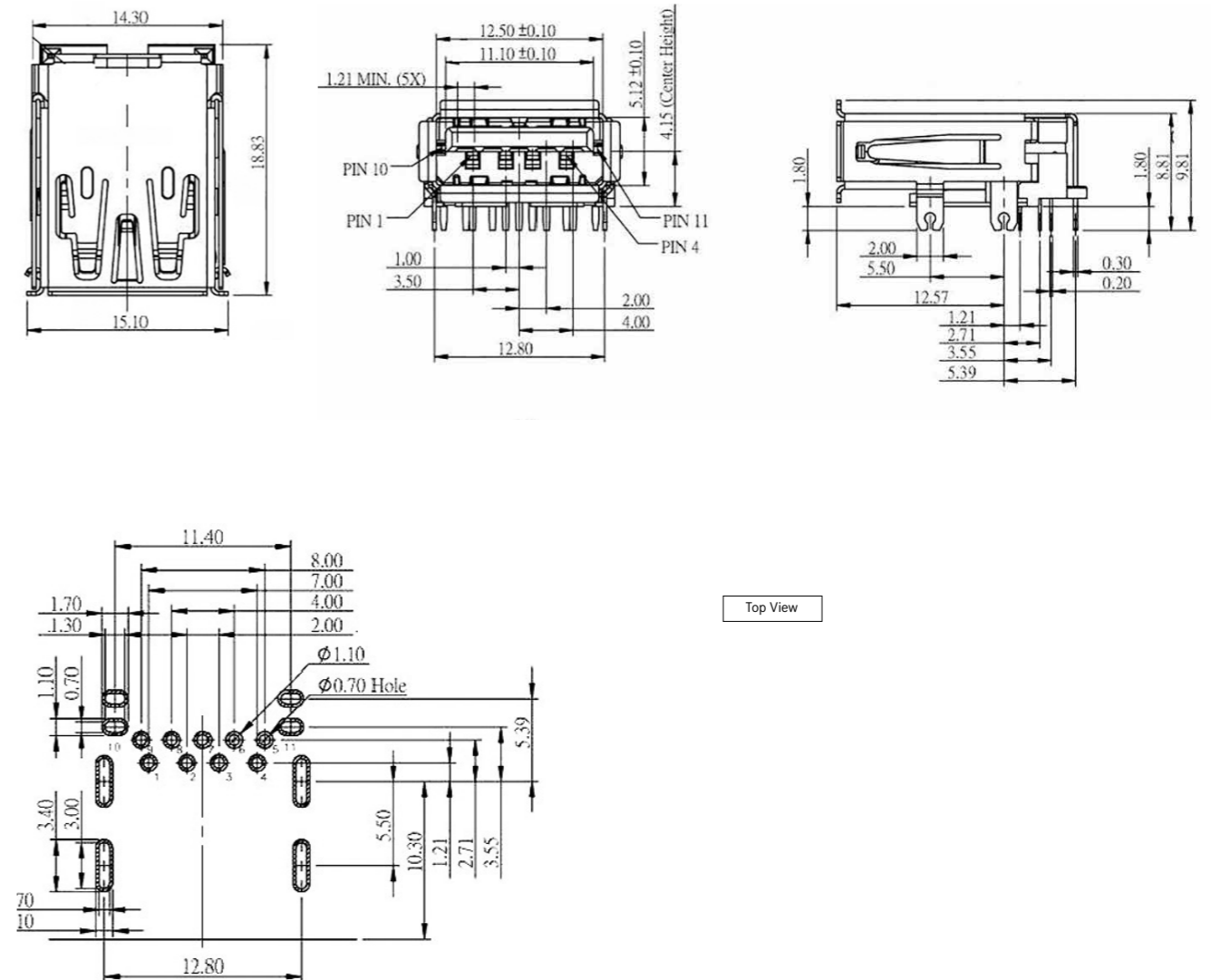
MATERIALS AND FINISH

Insulator: Thermoplastic, UL94V-0 Rated
 Contacts: Copper Alloy
 Contact Area: 30μm Pd-Ni + 2μm Au
 Solder tails 100μm ~ 200μm Tin
 Underplate: 80μm Ni
 Shell: Steel

FEATURES

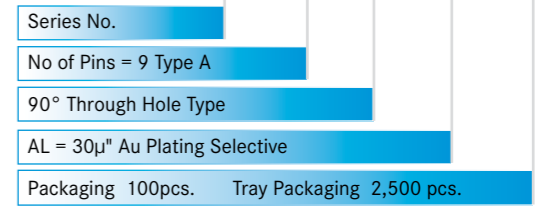
- RoHS2011/65/EU

OUTLINE DIMENSIONS



PART NUMBER

USB-3.1 - A - T9 - AL - TRAY



SPECIFICATIONS

Insulation Resistance:	100MΩ min. at 100V DC
Current Rating:	3A max.
Operation Voltage:	5V
Contact Resistance:	30mΩ max.
Withstanding Voltage:	100V AC for 1 minute
Operating Temp. Range:	-25°C to +105°C
Mating Cycles:	10,000 times

MATERIALS AND FINISH

Insulator:	Thermoplastic, UL94V-0 Rated
Contacts:	Brass
Contact Area:	30μ" Pd-Ni + 2μ" Au Solder tails 100μ" ~ 200μ" Tin
Shell:	Steel

FEATURES

- RoHS2011/65/EU

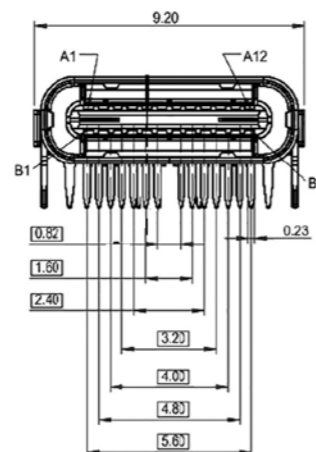
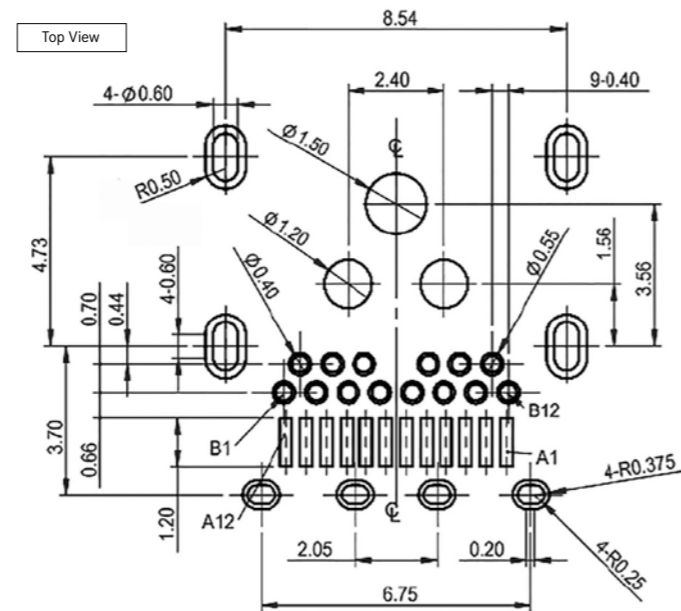
PART NUMBER

USB-3.1 - C - ST9 - AL - TR

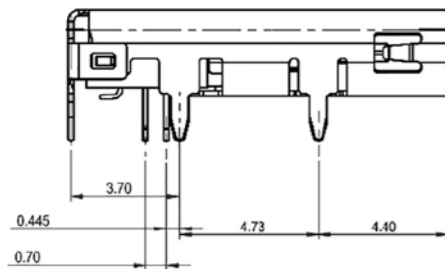
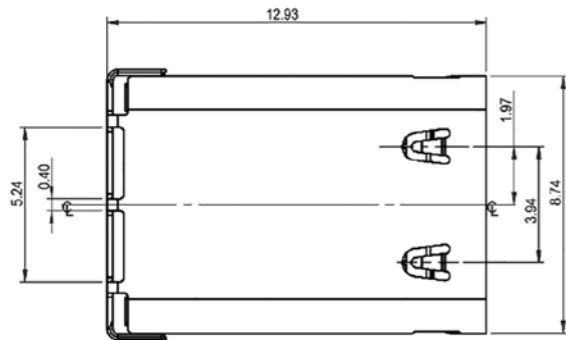
Series No.	
No of Pins = 24 Type C	
90° SMT	
AL = 30μ" Au Plating Selective	
Packaging 800 pcs. Tray Packaging 7,200 pcs.	



RECOMMENDED PCB LAYOUT



OUTLINE DIMENSIONS



SPECIFICATIONS

Insulation Resistance:	100MΩ min.
Current Rating:	3A max.
Operating Voltage:	5V
Contact Resistance:	30mΩ max.
Withstanding Voltage:	100V AC for 1 minute
Operating Temp. Range:	-25°C to +105°C
Mating Cycles:	10,000 times

MATERIALS AND FINISH

Insulator:	Thermoplastic, UL94V-0 Rated
Contacts:	Copper
Contact Area:	30μ" Pd-Ni + 2μ" Au Solder tails 100μ" ~ 150μ" Tin
Underplate:	80μ" ~ 160μ" Ni
Shell:	Steel

FEATURES

- RoHS2011/65/EU

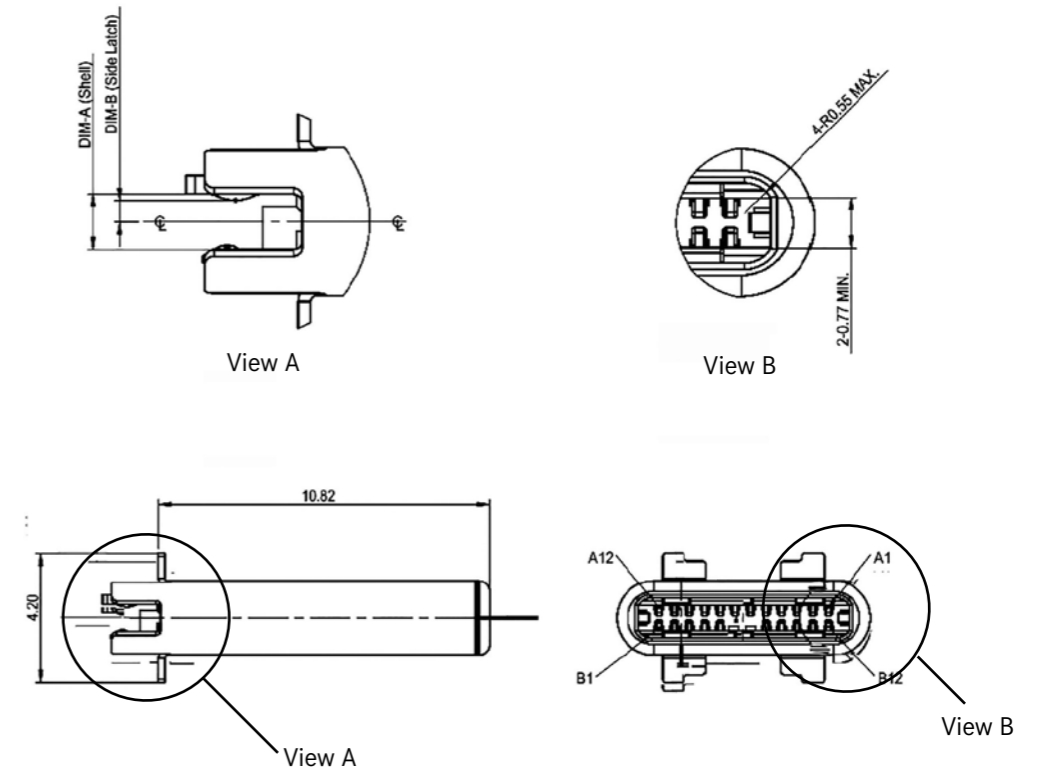
PART NUMBER

USB-3.1 - C - CP - AL - TRAY

Series No.	
No of Pins = 22 Type C	
C Type Plug	
AL = 30μ" Au Plating Selective	
Packaging 100 pcs. Tray Packaging 2,000 pcs.	



OUTLINE DIMENSIONS



SPECIFICATIONS

Insulation Resistance: 100MΩ min.
 Current Rating: 1.5A max.
 Voltage Rating: 30V AC
 Contact Resistance: 30mΩ max.
 Withstanding Voltage: 100V AC for 1 minute
 Operating Temp. Range: -55°C to +85°C

MATERIALS AND FINISH

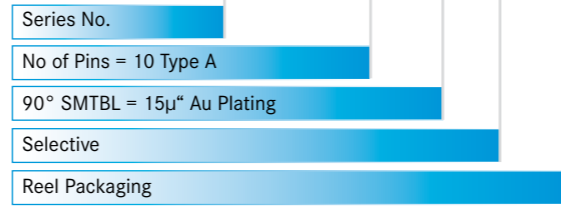
Insulator: LCP, UL94V-0 Rated
 Contact Area: Phosphor Bronze and Brass
 Shell: Stainless Steel

FEATURE

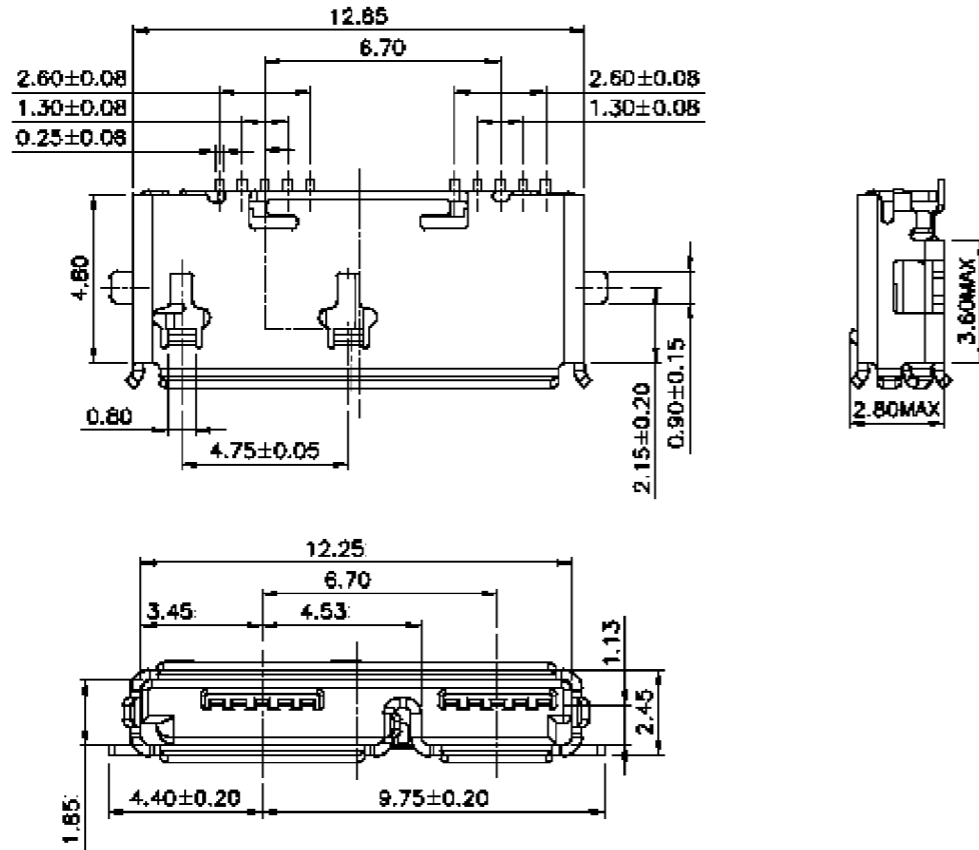
• RoHS2011/65/EU

PART NUMBER

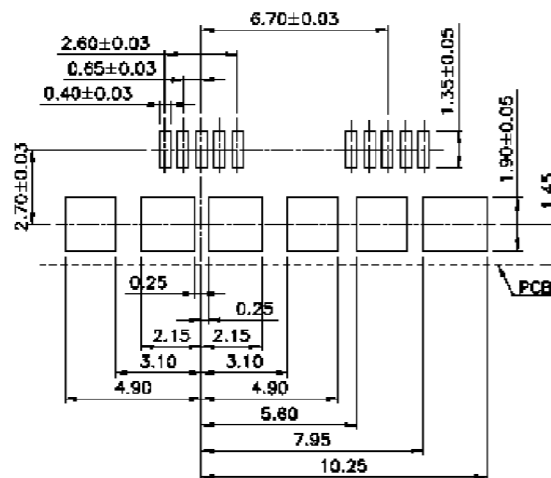
USB-3.0MC - 10AB - S9 - BL - R



OUTLINE DIMENSIONS



RECOMMENDED PCB LAYOUT



SPECIFICATIONS

Insulation Resistance: 100MΩ min.
 Current Rating: 1.5A max.
 Voltage Rating: 30V AC
 Contact Resistance: 30mΩ max.
 Withstanding Voltage: 100V AC for 1 minute
 Operating Temp. Range: 0°C to +50°C

MATERIALS AND FINISH

Insulator: LCP, UL94V-0 Rated
 Contact Area: Phosphor Bronze
 Shell: Stainless Steel

FEATURE

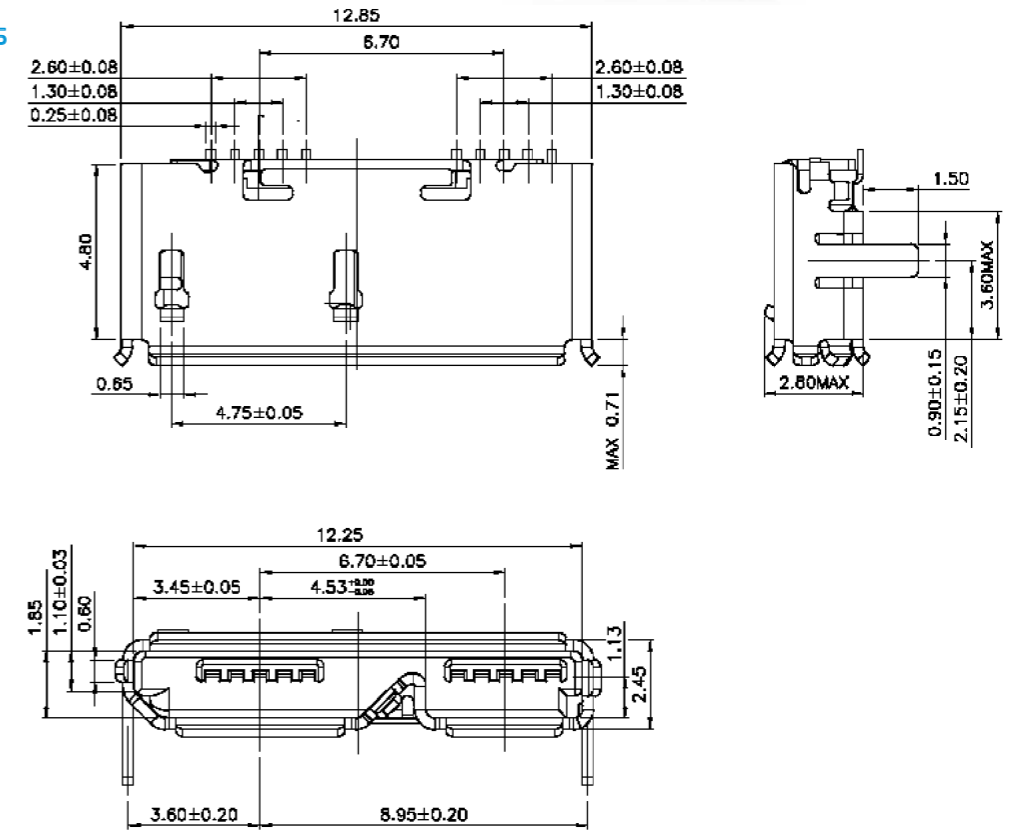
• RoHS2011/65/EU

PART NUMBER

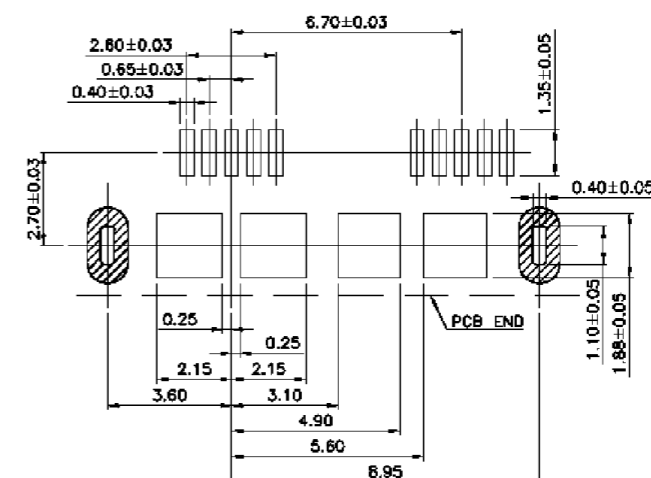
USB-3.0MC - 10B - S9 - BL - R



OUTLINE DIMENSIONS



RECOMMENDED PCB LAYOUT



SPECIFICATIONS

Insulation Resistance: 100MΩ min.
 Current Rating: 1.5A max.
 Voltage Rating: 30V AC
 Contact Resistance: 30mΩ max.
 Withstanding Voltage: 100V AC for 1 minute
 Operating Temp. Range: 0°C to +50°C

MATERIALS AND FINISH

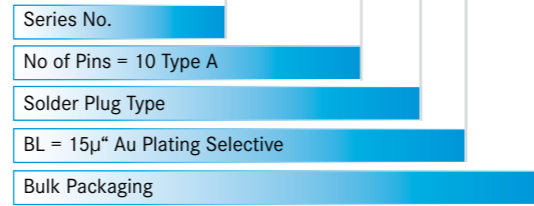
Insulator: LCP, UL94V-0 Rated
 Contact Area: Phosphor Bronze and Brass
 Shell: Stainless Steel

FEATURE

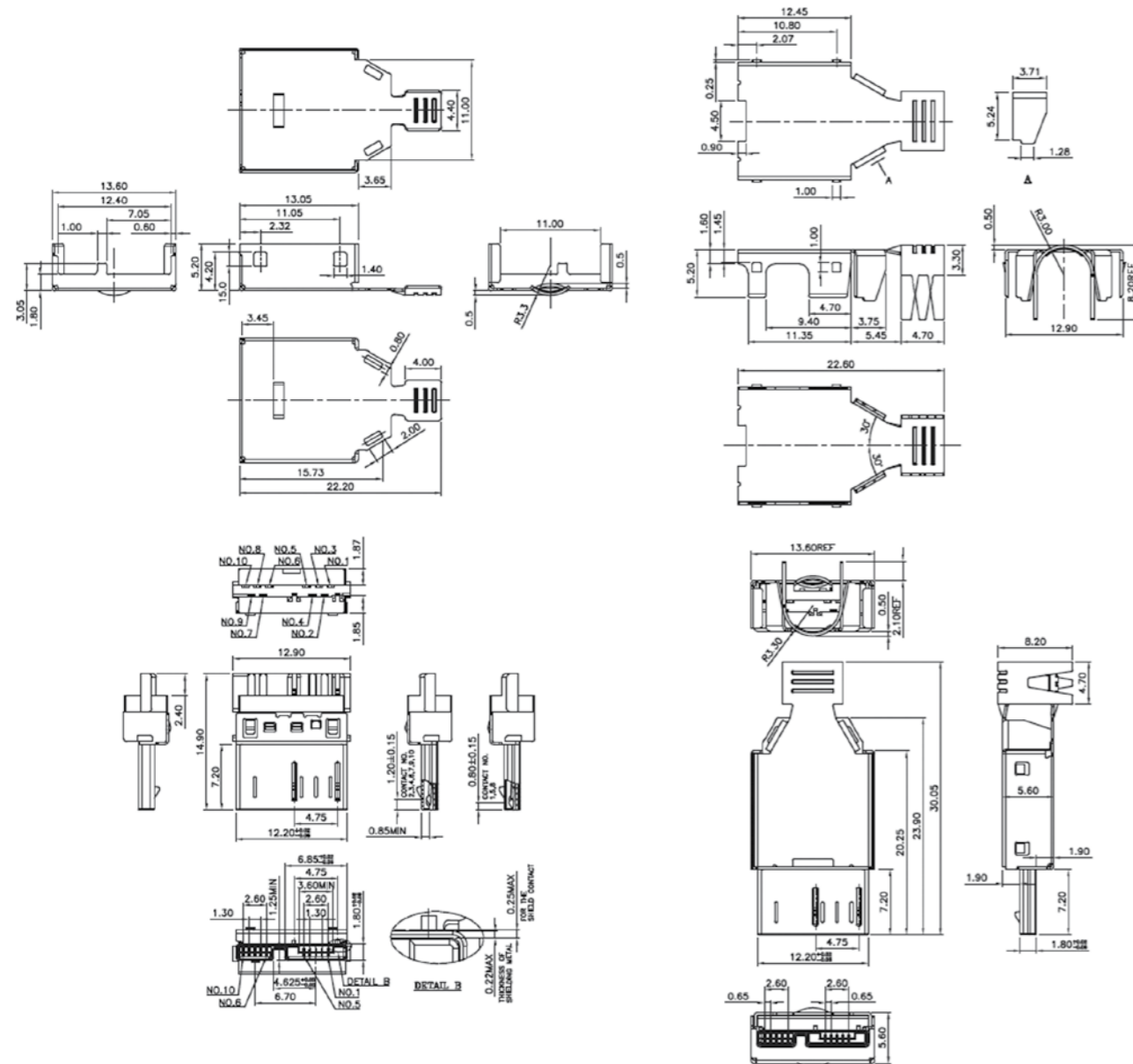
- RoHS2011/65/EU

PART NUMBER

USB-3.0MC - 10A - P - BL - BU



OUTLINE DIMENSIONS



SPECIFICATIONS

Insulation Resistance: 100MΩ min.
 Current Rating: 1.5A max.
 Voltage Rating: 30V AC
 Contact Resistance: 30mΩ max.
 Withstanding Voltage: 100V AC for 1 minute
 Operating Temp. Range: 0°C to +50°C

MATERIALS AND FINISH

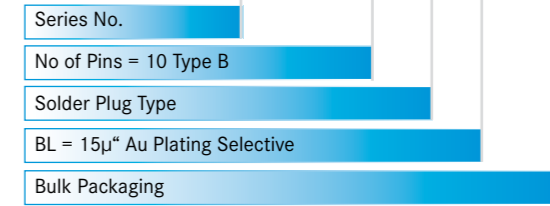
Insulator: PBT, UL94V-0 Rated
 Contact Area: Phosphor Bronze and Brass
 Shell: Stainless Steel
 Latch: Stainless Steel

FEATURE

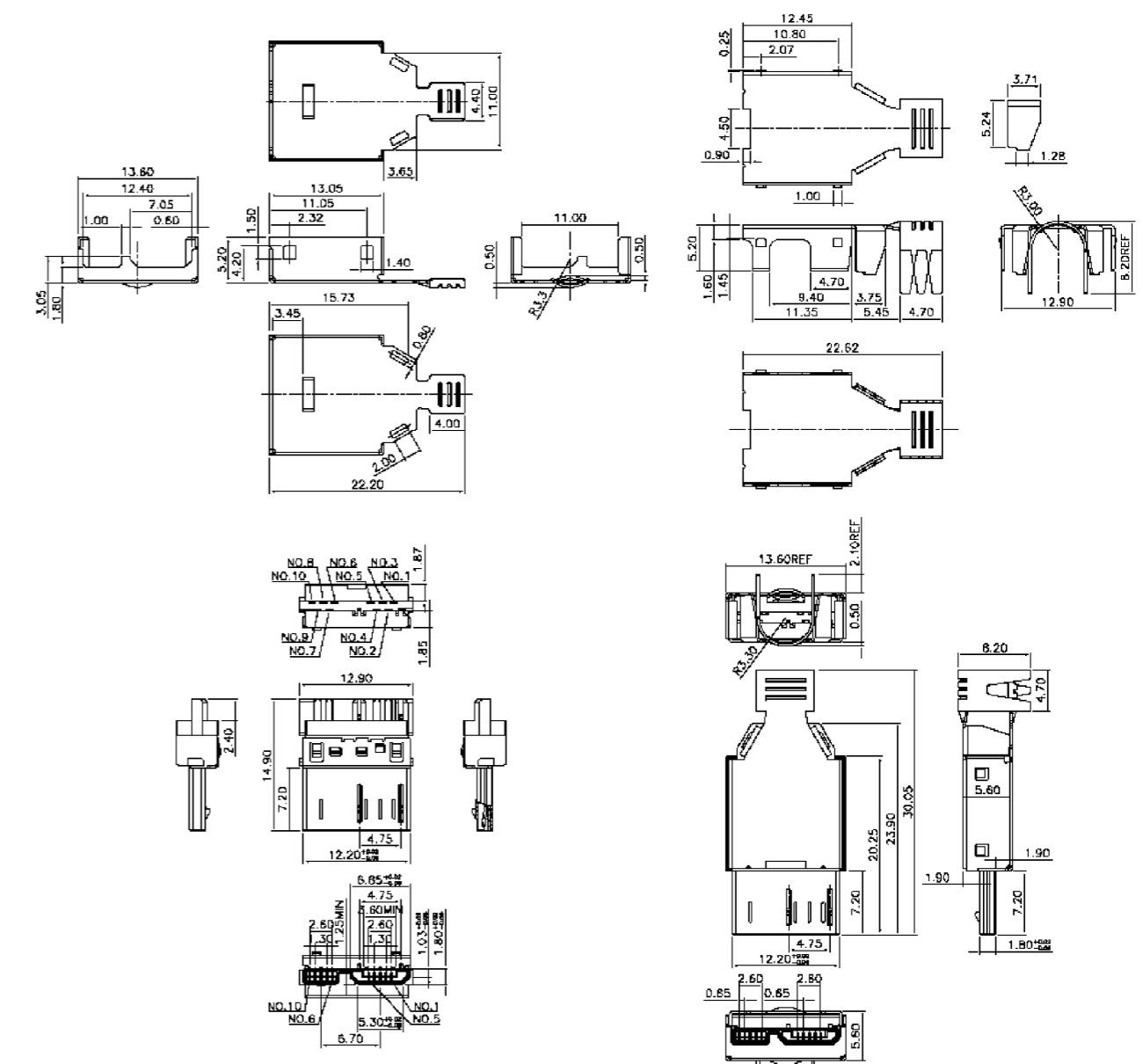
- RoHS2011/65/EU

PART NUMBER

USB-3.0MC - 10B - P - BL - BU



OUTLINE DIMENSIONS



SPECIFICATIONS

Insulation Resistance: 1,000MΩ min.
 Current Rating: 1.5A max.
 Voltage Rating: 30V AC
 Contact Resistance: 30mΩ max.
 Withstanding Voltage: 100V AC for 1 minute
 Operating Temp. Range: 0°C to +50°C

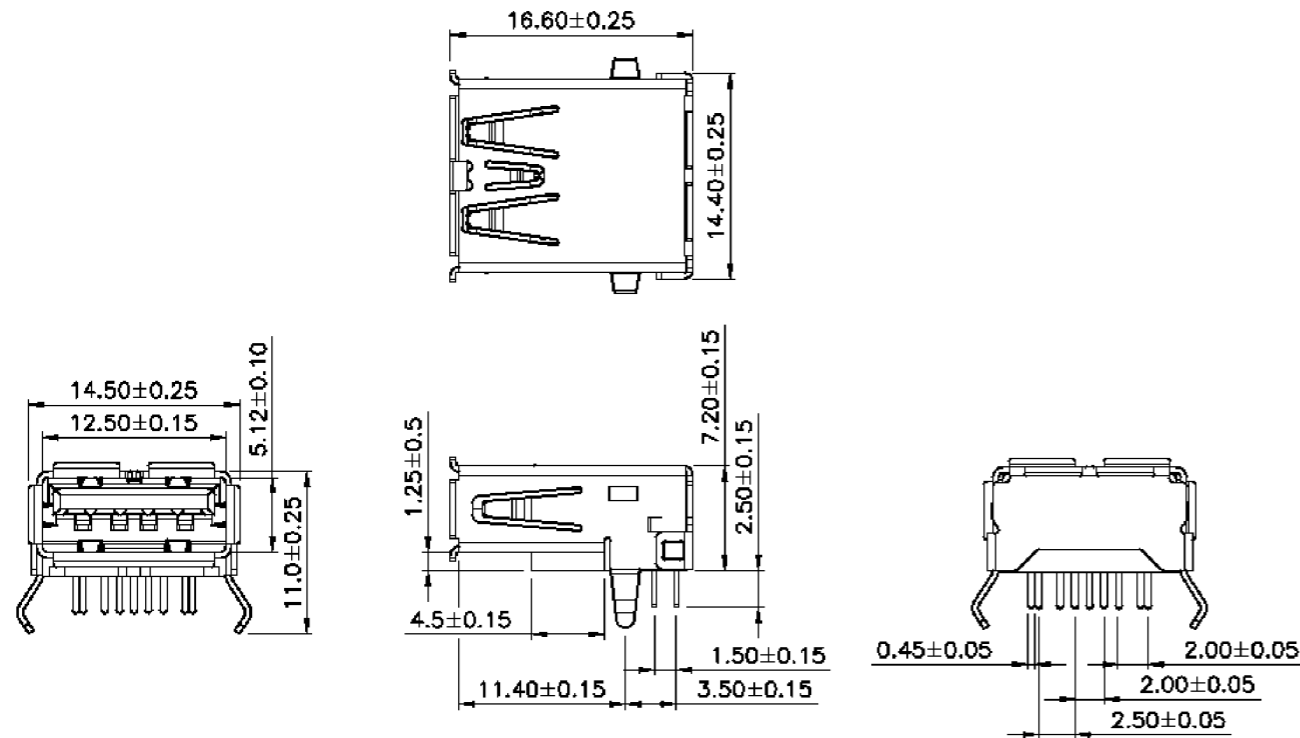
MATERIALS AND FINISH

Insulator: PBT, UL94V-0 Rated
 Contact Area: Phosphor Bronze and Brass
 Shell: Brass

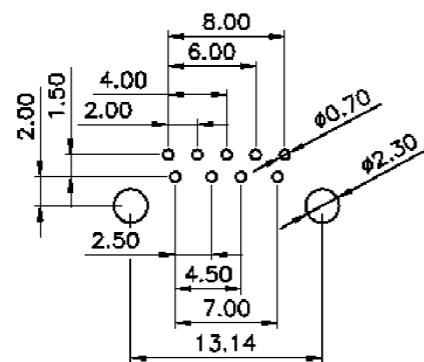
FEATURE

• RoHS2011/65/EU

OUTLINE DIMENSIONS



RECOMMENDED PCB LAYOUT



PART NUMBER

USB-3.0 - 9A - T9 - BL - TR

Series No.
No of Pins = 9 Type A
90° Through Hole Type
BL = 15μ" Au Plating Selective
Tray Packaging



SPECIFICATIONS

Insulation Resistance: 100MΩ min. at 250V DC
 Current Rating: 1.8A for VBUS and GND
 0.25A for all other contacts
 Contact Resistance: 30mΩ max. for VBUS and GND
 50mΩ max. for all other contacts
 Withstanding Voltage: 100V AC / minute
 Operating Temp. Range: -20°C to +85°C
 Mating Cycles: 5,000 times
 Tape and Reel Packaging: 300 per reel

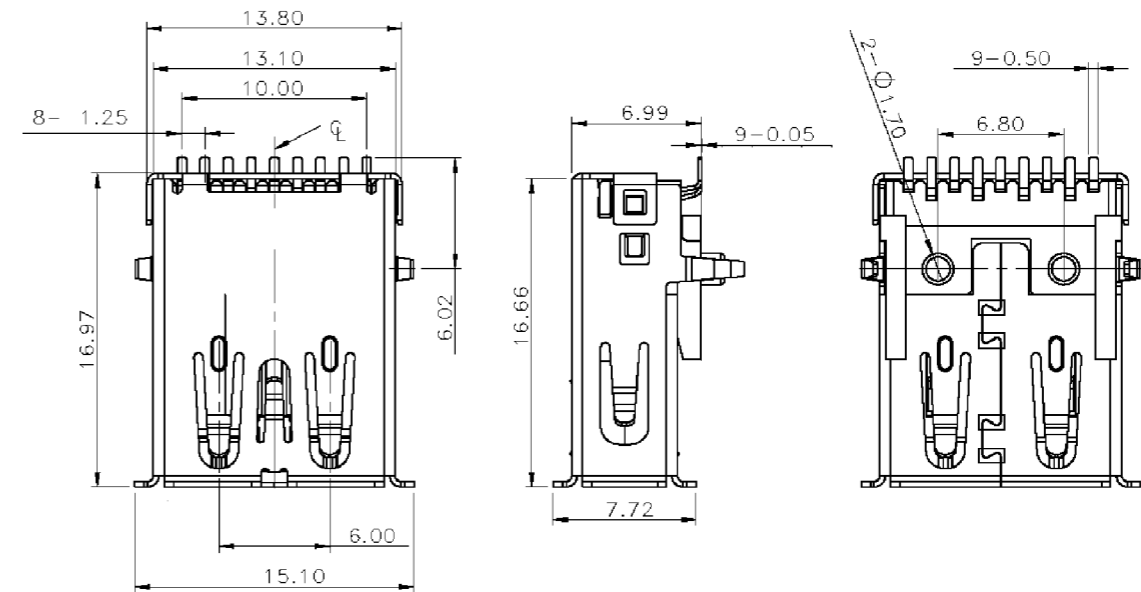
MATERIALS AND FINISH

Insulator: Thermoplastic, UL94HB Rated
 Shell: Copper Alloy
 Contact Area: Copper Alloy
 Solder Area: Tin over Ni
 Plating: 2μ" Au over Ni

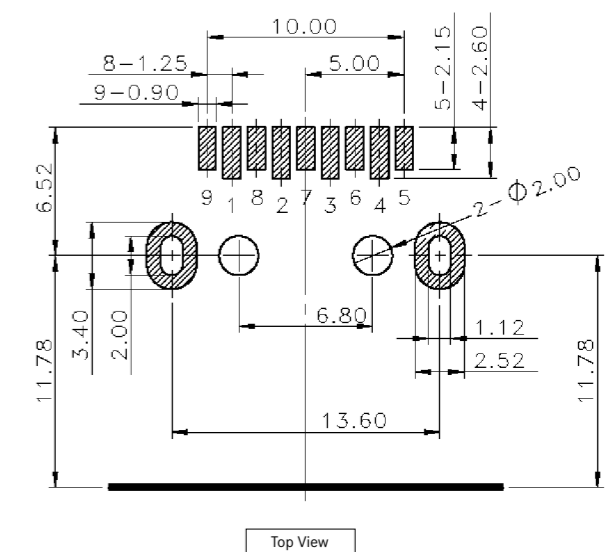
FEATURE

• RoHS2011/65/EU

OUTLINE DIMENSIONS (USB-3.0-9A-S9-BL-R)



RECOMMENDED PCB LAYOUT



PART NUMBER

USB-3.0 - 9A - S9 - BL - R

Series No.
No of Pins = 9 Type A
90° SMT
BL = Plating Au Flash Selective
Reel Packaging



SPECIFICATIONS

Insulation Resistance: 100MΩ at 250VDC
 Current Rating: 1.8A max.
 Voltage Rating: 30V AC
 Contact Resistance: 30mΩ max.
 Withstanding Voltage: 100V AC for 1 minute
 Operating Temp. Range: -20°C to +85°C
 Mating Cycles: 5,000 times

MATERIALS AND FINISH

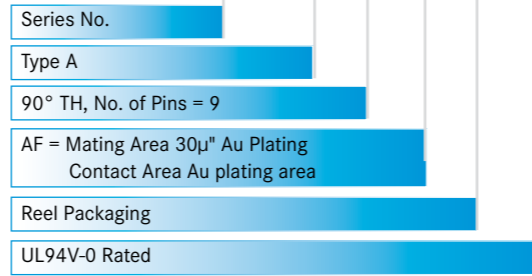
Insulator: Thermoplastic (Blue), UL94V-0 Rated
 Contact Area: Phosphor Bronze and Brass
 Shell: Stainless Steel

FEATURE

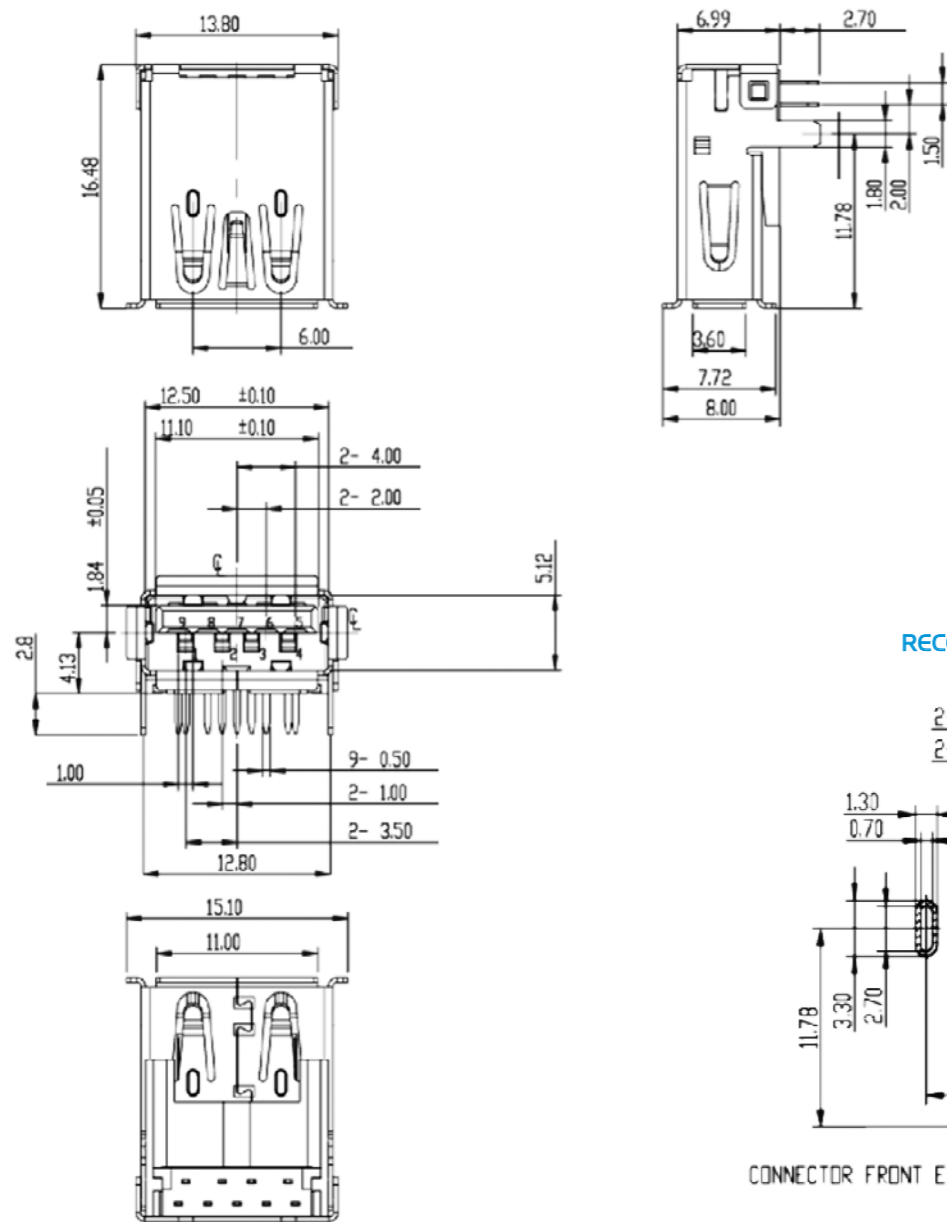
- RoHS2011/65/EU

PART NUMBER

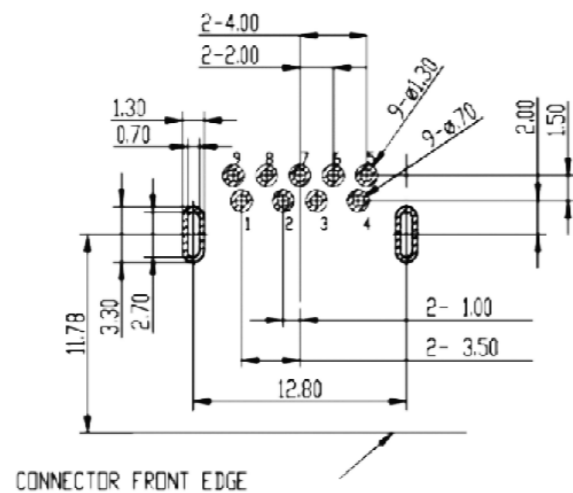
USB-3.0 - A - S9 - AF - R - UL94



OUTLINE DIMENSIONS (USB-3.0-A-S9-AF-R-UL94)



RECOMMENDED PCB LAYOUT



SPECIFICATIONS

Insulation Resistance: 100MΩ min. at 250V DC
 Current Rating: 1.8A for VBUS and GND, 0.25A for all other contacts
 Contact Resistance: 30mΩ max. for VBUS and GND, 50mΩ max. for all other contacts
 Withstanding Voltage: 100V AC / minute
 Operating Temp. Range: -20°C to +85°C

MATERIALS AND FINISH

Insulator: Thermal plastic, UL94HB
 Shell: Copper Alloy
 Contact Area: Copper Alloy
 Solder Area: Tin over Ni
 Plating: 2µ" Au over Ni

FEATURE

- RoHS2011/65/EU

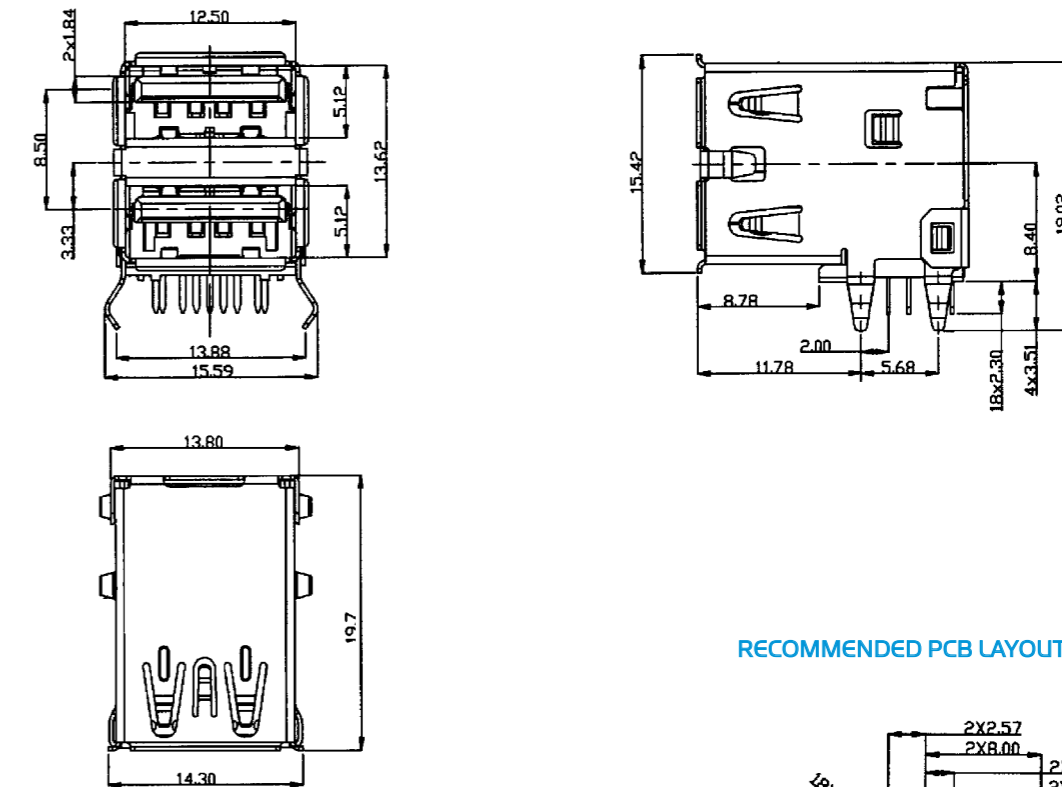
PART NUMBER

USB-3.0-A-T9-DPS-2-FL-T
(without EMI guide)

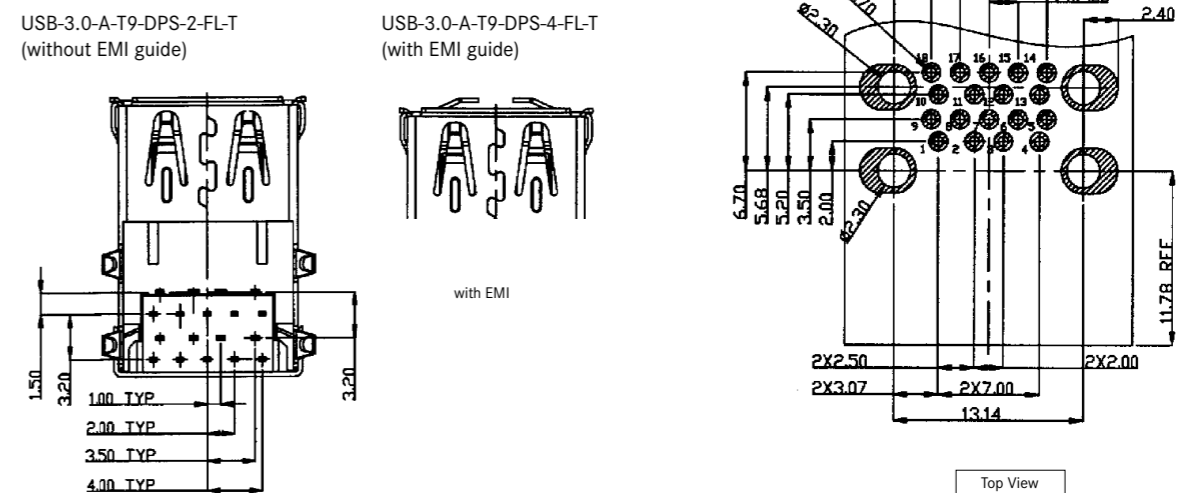
USB-3.0-A-T9-DPS-4-FL-T
(with EMI guide)



OUTLINE DIMENSIONS (USB-3.0-A-T9-DPS-* -FL-T)



RECOMMENDED PCB LAYOUT



SPECIFICATIONS

Insulation Resistance: 1,000MΩ min.
 Current Rating: 1.5A max.
 Voltage Rating: 30V AC
 Contact Resistance: 30mΩ max.
 Withstanding Voltage: 100V AC / minute
 Operating Temp. Range: 0°C to +50°C

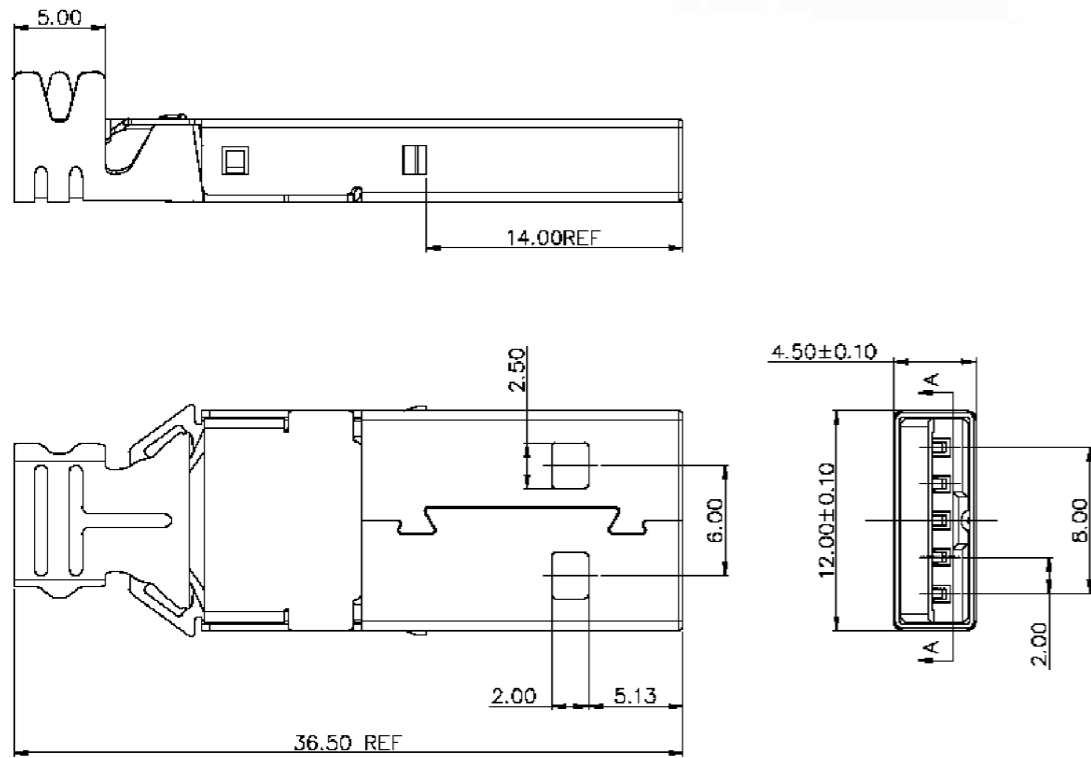
MATERIALS AND FINISH

Insulator: PBT, UL94V-0 Rated
 Contact Area: Au plated
 Shell: Stainless Steel
 Latch: Stainless Steel

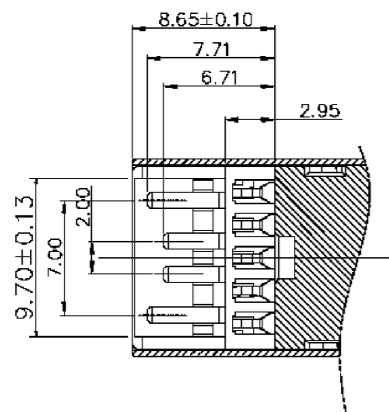
FEATURE

• RoHS2011/65/EU

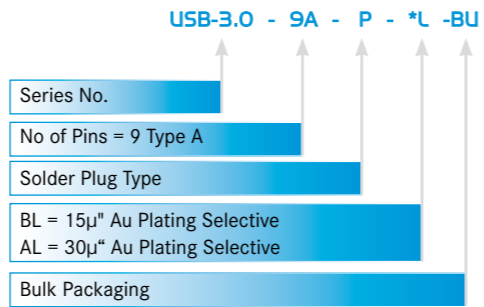
OUTLINE DIMENSIONS



SECTION A-A



PART NUMBER



SPECIFICATIONS

Insulation Resistance: 1,000MΩ min.
 Current Rating: 1.5A max.
 Voltage Rating: 30V AC
 Contact Resistance: 30mΩ max.
 Withstanding Voltage: 100V AC / minute
 Operating Temp. Range: 0°C to +50°C

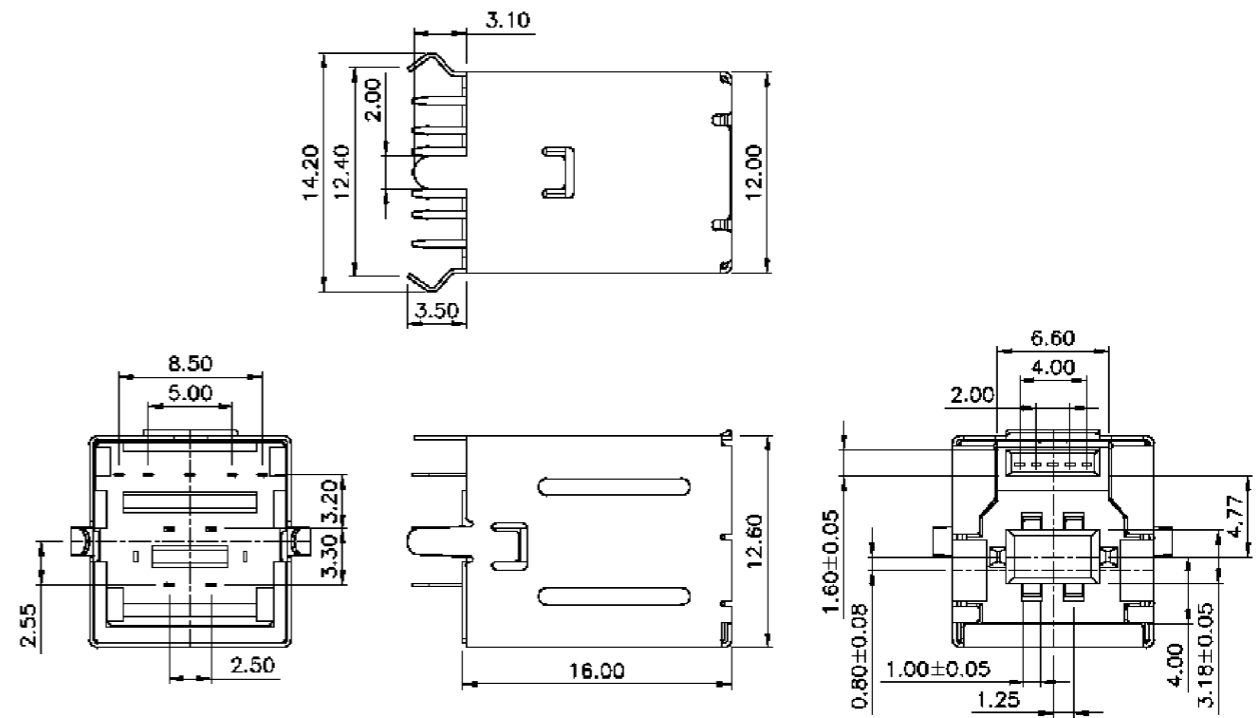
MATERIALS AND FINISH

Insulator: PBT, UL94V-0 Rated
 Contact Area: Brass
 Shell: Brass

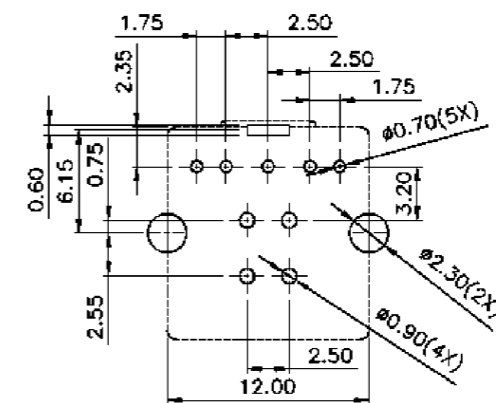
FEATURE

• RoHS2011/65/EU

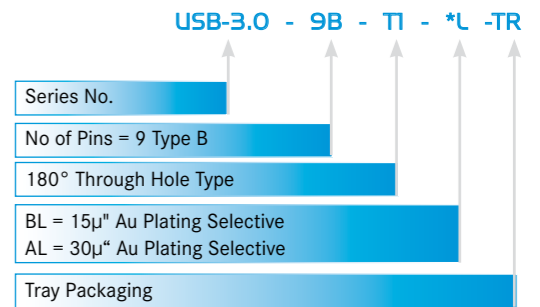
OUTLINE DIMENSIONS



RECOMMENDED PCB LAYOUT



PART NUMBER



SPECIFICATIONS

Insulation Resistance: 1,000MΩ min.
 Current Rating: 1.5A max.
 Voltage Rating: 30V AC
 Contact Resistance: 30mΩ max.
 Withstanding Voltage: 100V AC / minute
 Operating Temp. Range: 0°C to +50°C

MATERIALS AND FINISH

Insulator: PBT, UL94V-0 Rated
 Shell: Phosphor Bronze and Brass
 Contact Area: Brass

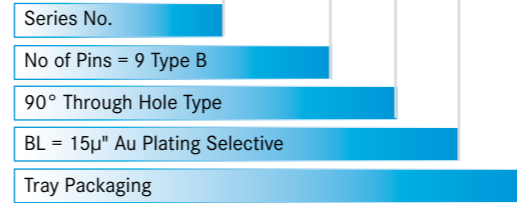
FEATURE

• RoHS2011/65/EU

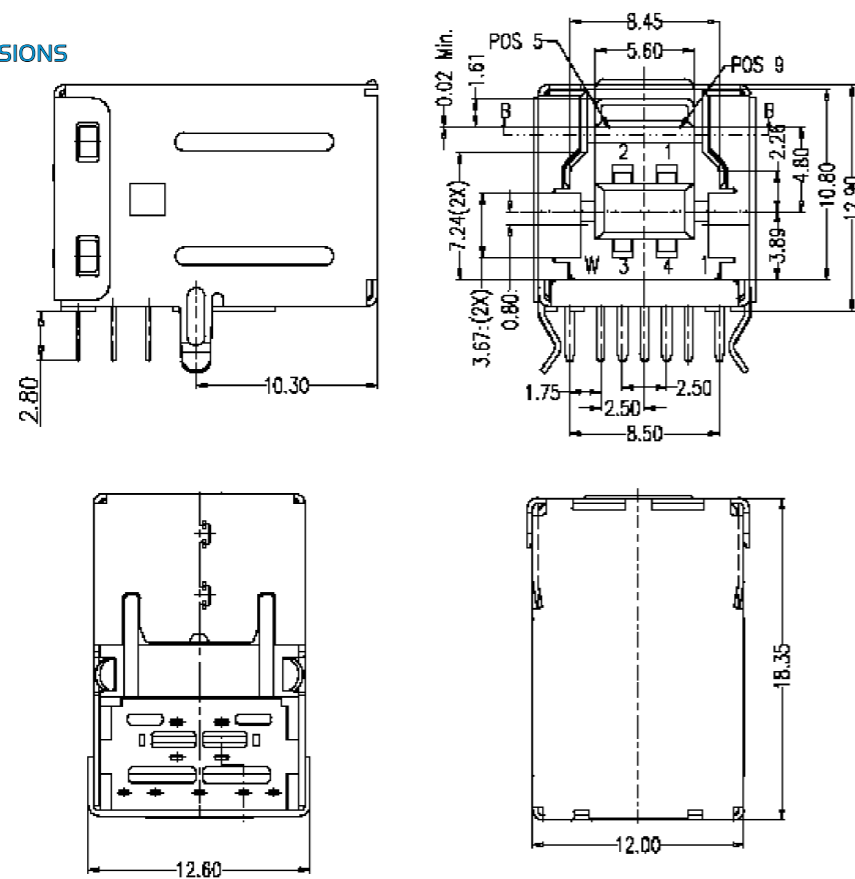


PART NUMBER

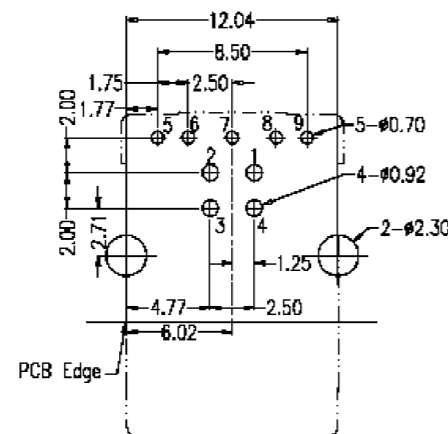
USB-3.0 - 9B - T9 - BL - TR



OUTLINE DIMENSIONS



RECOMMENDED PCB LAYOUT



SPECIFICATIONS

Insulation Resistance: 1,000MΩ min.
 Current Rating: 1.5A max.
 Voltage Rating: 30V AC
 Contact Resistance: 30mΩ max.
 Withstanding Voltage: 100V AC for 1 minute
 Operating Temp. Range: 0°C to +50°C

MATERIALS AND FINISH

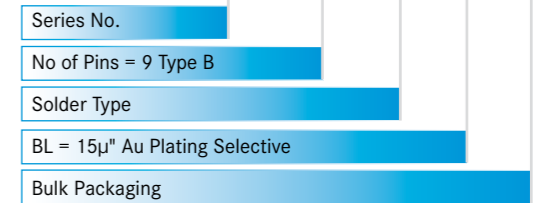
Insulator: PBT, UL94V-0 Rated
 Contact Area: Au plated
 Shell: Steel

FEATURE

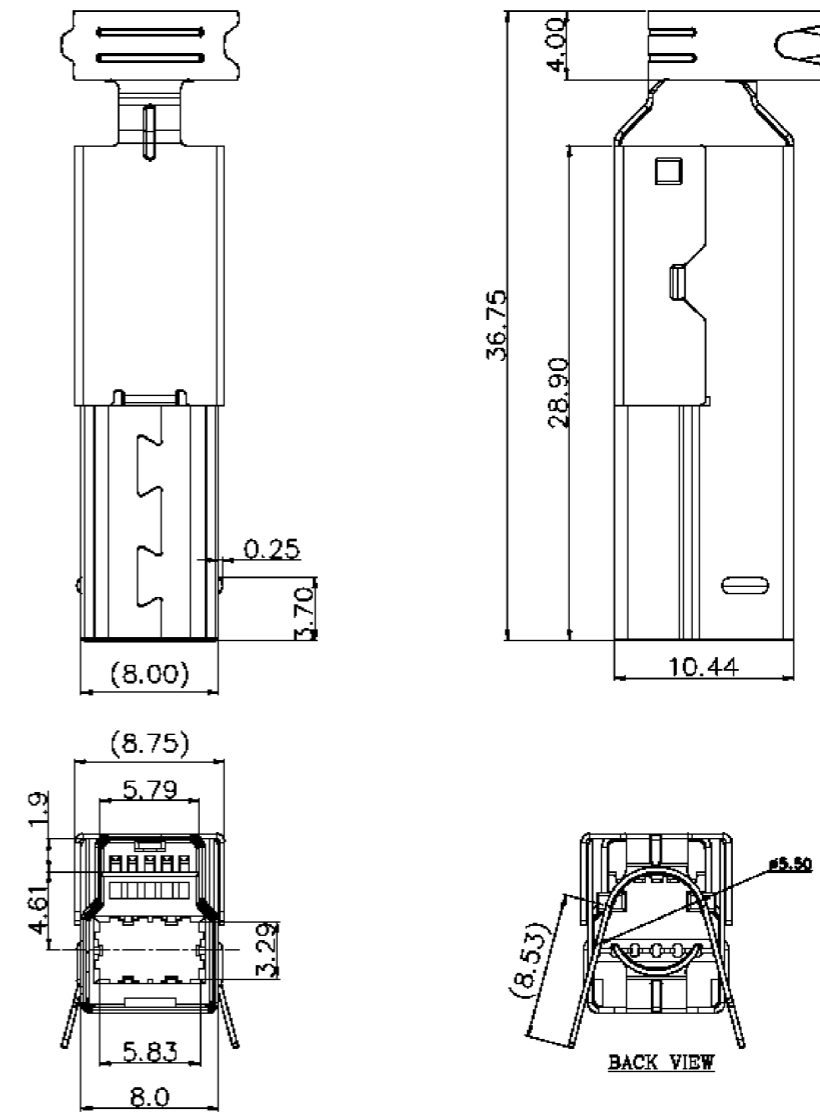
• RoHS2011/65/EU

PART NUMBER

USB-3.0 - 9B - P - BL - BU



OUTLINE DIMENSIONS

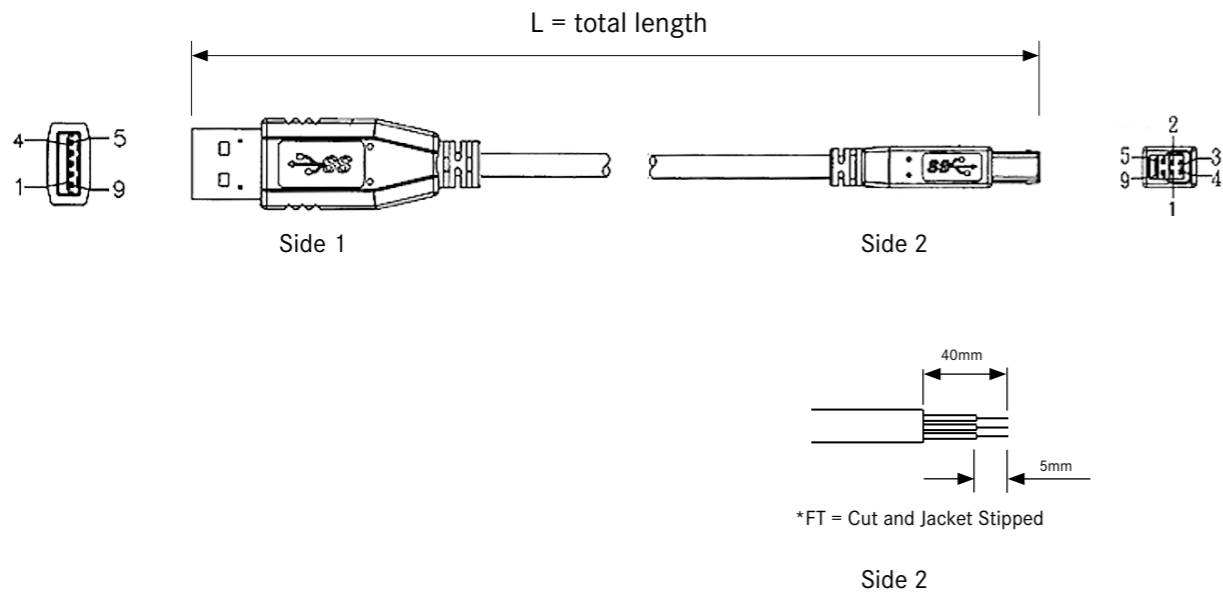


MATERIALS AND FINISH

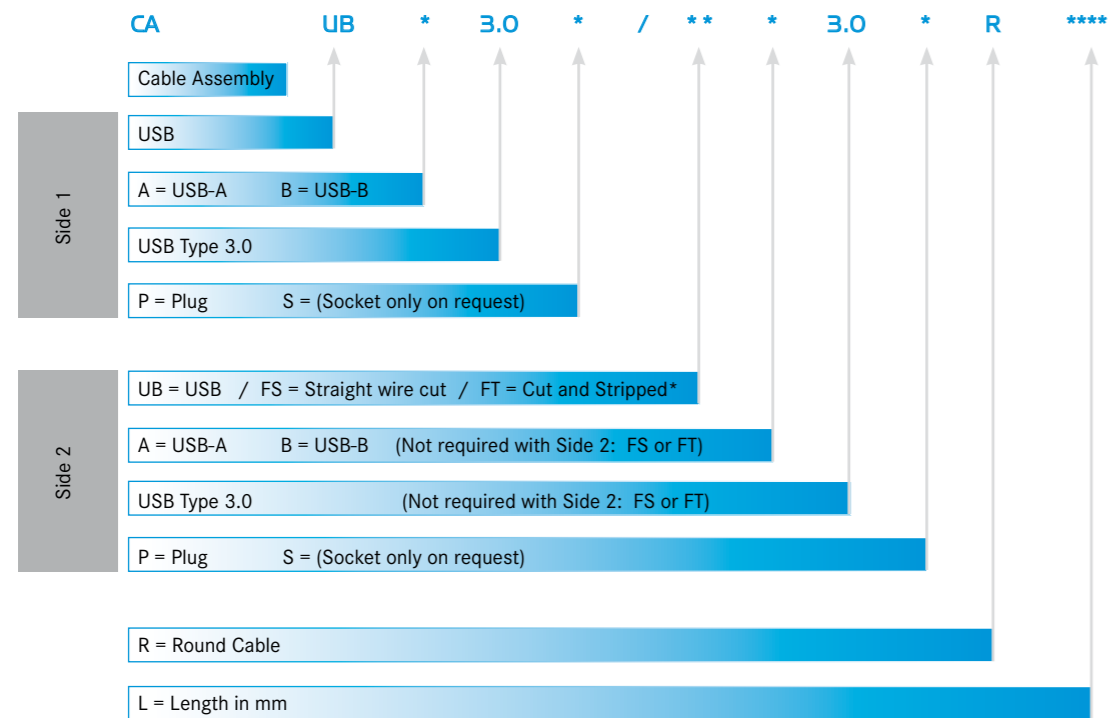
Insulator: PVC 45P RO Blue (T-624)
 Cable: UL20276
 Shell: Ni
 Contact: Au 30µ"

FEATURE

- RoHS2011/65/EU



PART NUMBER



SPECIFICATIONS

Insulation Resistance: 1,000MΩ min.
 Current Rating: 1A
 Voltage Rating: 30V AC
 Contact Resistance: 30mΩ max. (initial)
 Withstanding Voltage: 500V AC

MATERIALS AND FINISH

Housing: PBT(UL94V-0)
 Shell: Copper Alloy, Ni plated
 Contacts: Copper Alloy
 Contact Plating: Solder Terminal - Sn over Ni
 Mating Area for USB-A-001A = Au Flash over Ni

FEATURE

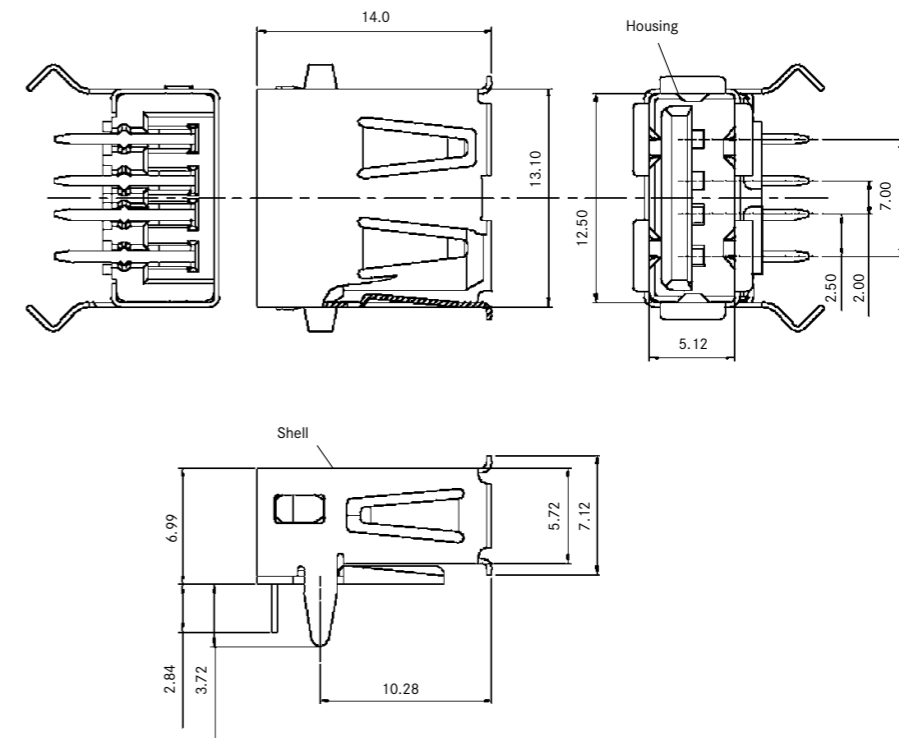
- RoHS2011/65/EU

PART NUMBER

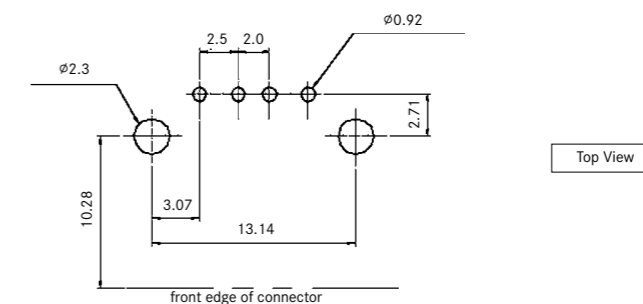
USB-A-001A



SINGLE PORT TYPE (USB-A-001A)



RECOMMENDED PCB LAYOUT



SPECIFICATIONS

Insulation Resistance: 1000MΩ min.
 Current Rating: 1A
 Voltage Rating: 30V AC
 Withstanding Voltage: 500V AC
 Contact Resistance: 30mΩ max.

PART NUMBER

USB-A-003

*USB-A-003-30-V1

* See Materials and Finish

MATERIALS AND FINISH

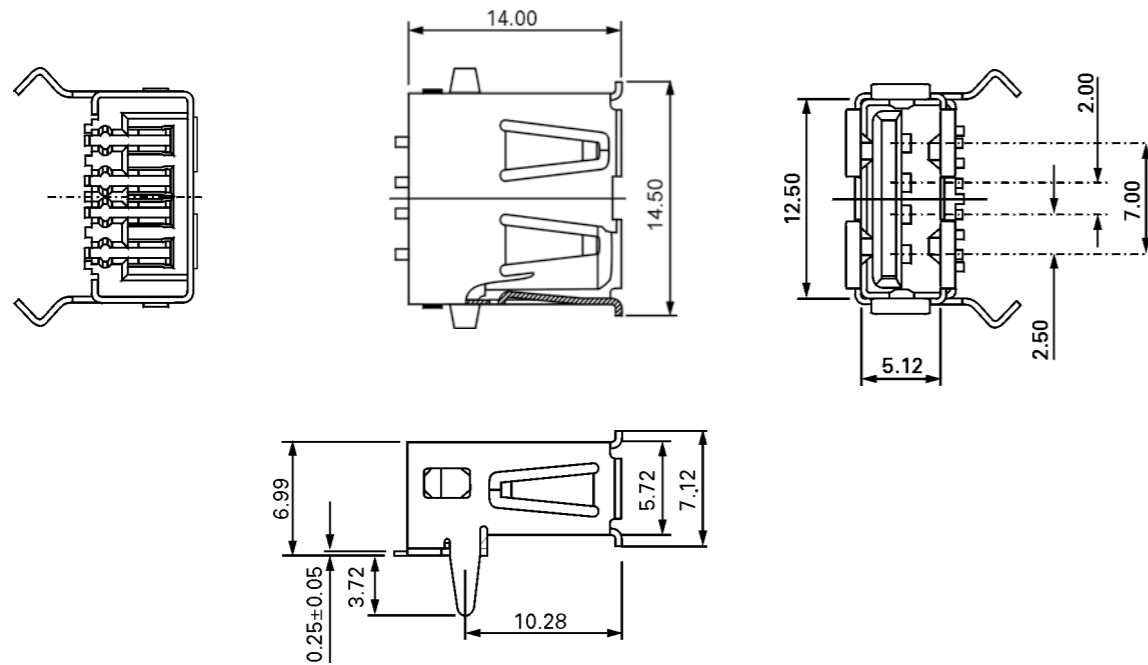
Housing: PBT (UL94V-0)
 Shell: Tin over Ni
 Contacts: Copper Alloy
 Contact Plating: Solder Terminal - Sn over Ni
 Mating Area for USB-A-003 = Au Flash over Ni
 Mating Area for USB-A-003-30-V1 = 30μ" Au over Ni



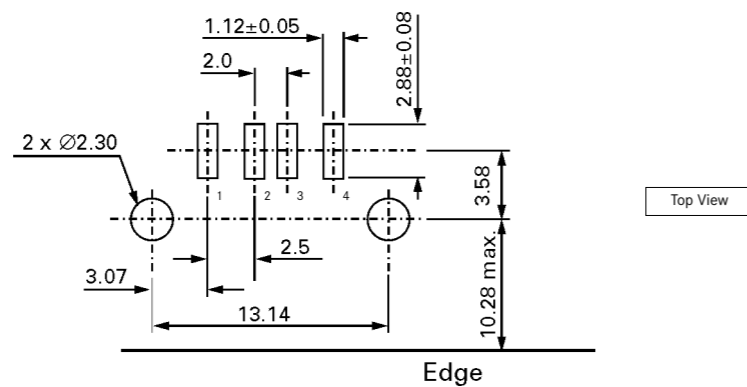
FEATURE

- RoHS2011/65/EU

SMT TYPE



RECOMMENDED PCB LAYOUT



SPECIFICATIONS

Insulation Resistance: 1000MΩ min.
 Current Rating: 1A max. per contact
 Voltage Rating: 30V ACmax.
 Withstanding Voltage: 500V AC
 Contact Resistance: 30mΩ max. (initial)

PART NUMBER

USB-A-004

*USB-A-004-30-V1

* See Materials and Finish

MATERIALS AND FINISH

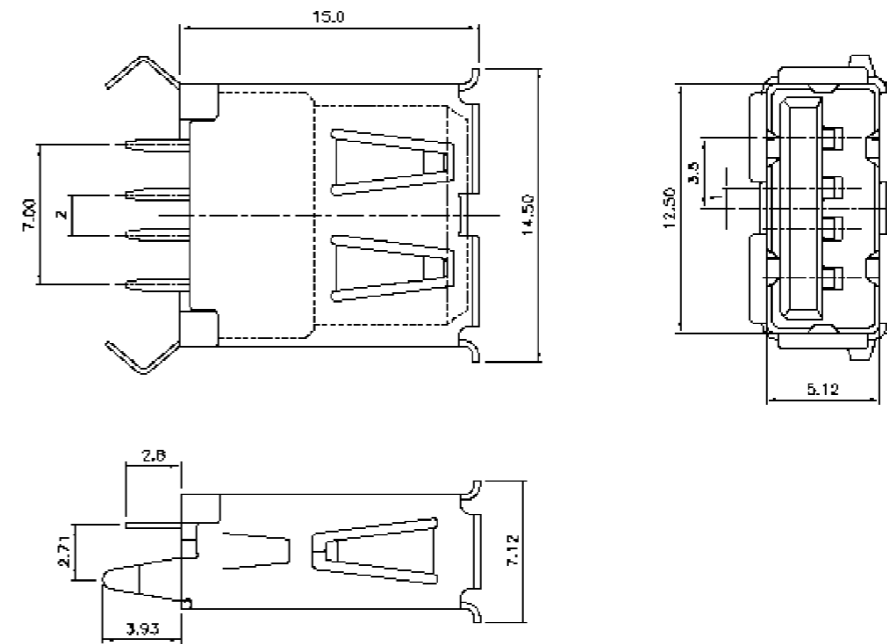
Housing: PBT (UL94V-0)
 Shell: Copper Alloy, Ni plated
 Contacts: Copper Alloy
 Contact Plating: Solder Terminal - Sn over Ni
 Mating Area for USB-A-004 = Au Flash over Ni
 Mating Area for USB-A-004-30-V1 = 30μ" Au over Ni



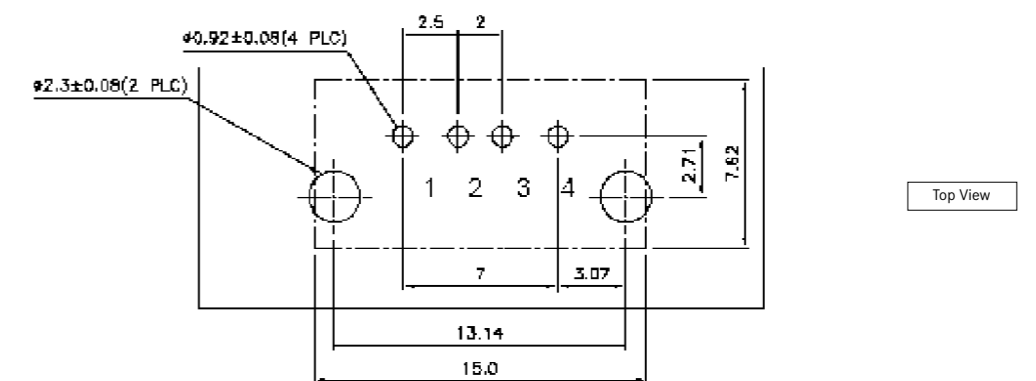
FEATURE

- RoHS2011/65/EU

180° THROUGH HOLE TYPE



RECOMMENDED PCB LAYOUT



SPECIFICATIONS

Insulation Resistance: 1000MΩ min.
 Current Rating: 1A max. per contact
 Voltage Rating: 30V ACmax.
 Withstanding Voltage: 500V AC
 Contact Resistance: 30mΩ max. (initial)

MATERIALS AND FINISH

Housing: PBT (UL94V-0)
 Shell: Copper Alloy, Ni plated
 Contacts: Copper Alloy
 Contact Plating: Solder Terminal - Sn over Ni
 Mating Area for USB-A-005A = Au Flash over Ni

FEATURE

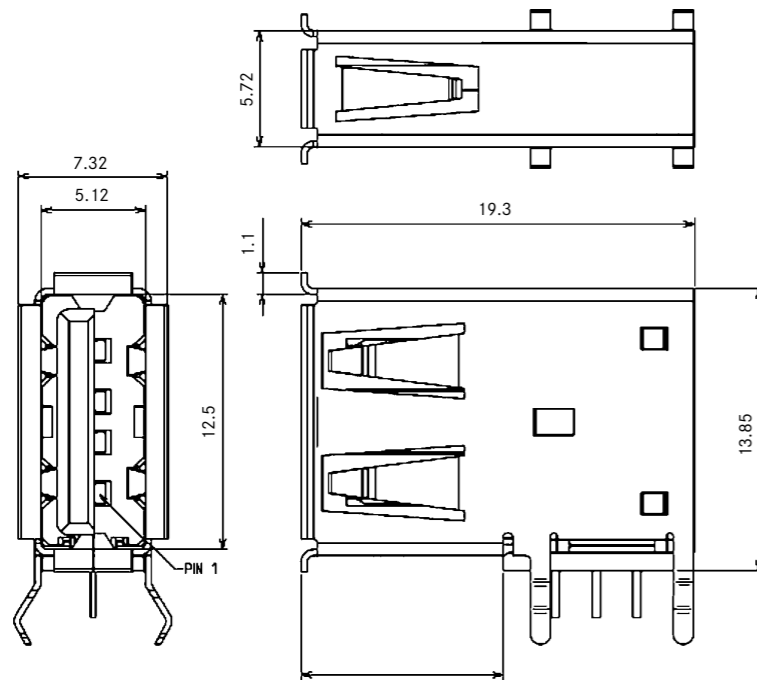
- RoHS2011/65/EU

PART NUMBER

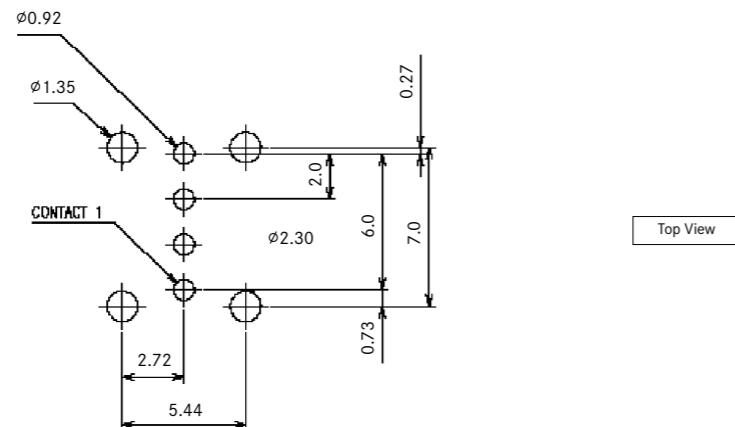
USB-A-005A



VERTICAL THROUGH HOLE TYPE



RECOMMENDED PCB LAYOUT



Top View

SPECIFICATIONS

Voltage Rating: 30V AC max.
 Current Rating: 1A max. per contact (Signal Application only)
 Contact Resistance: 25mΩ max. (initial)
 Operating Temp. Range: -55°C to +85°C
 Mating Force: 3.5kg max.
 Unmating Force: 0.4kg min.

MATERIALS AND FINISH

Housing: PBT (UL94V-0)
 Moulded Shell: PVC
 Contacts: Brass 0.25t
 Contact Plating: Au over Ni

FEATURES

- Over-mould and cable available in black or white, minimum order quantity = 1000 meters
- RoHS2011/65/EU

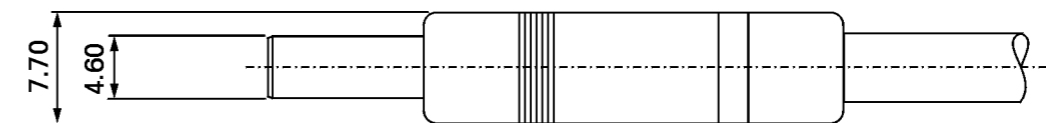
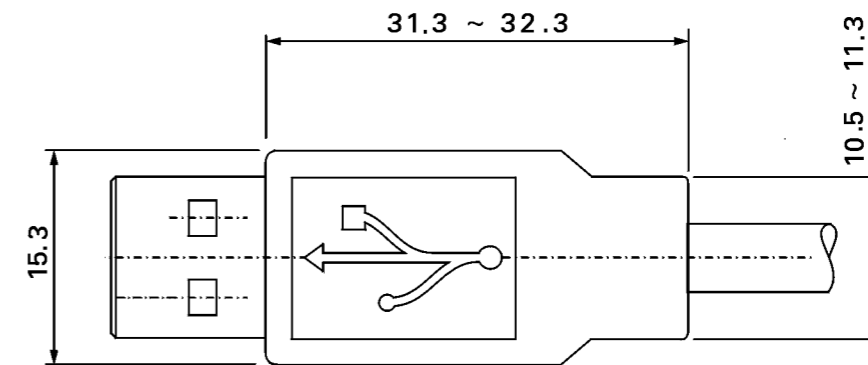
PART NUMBER

USB-A-P01

Note:
 USB-A-P01 is only available in assembled versions with moulded strain relief.
 For more details please contact Yamaichi.



OUTLINE PLUG DIMENSIONS



SPECIFICATIONS

Insulation Resistance: 1,000MΩ min. at 500V DC
 Current Rating: 1.5A max.
 Voltage Rating: 250V AC
 Withstanding Voltage: 500 V AC for 1 minute
 Contact Resistance: 30mΩ max.

MATERIALS AND FINISH

Housing: Nylon 66 UL94V-0 rated
 Shell: Phosphor Bronze, Sn over Ni
 Contacts: Phosphor Bronze
 Contact Plating: Solder area: Sn over Ni
 Mating area: 30μ" Au over Ni

FEATURES

- USB-A standard interface plus separate power contacts
- RoHS2011/65/EU

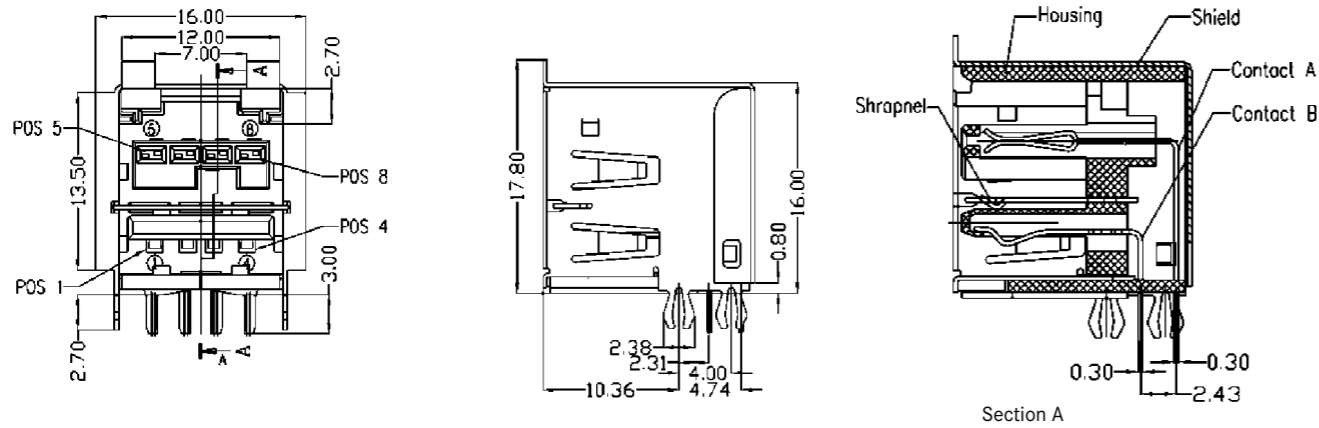
PART NUMBER

USB-APOWER - 001 - 0*

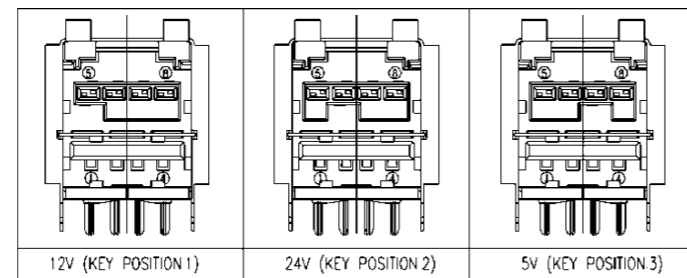
Series No.
Insulator:
1 = 5V (black)
2 = 24V (red)
3 = 12V (green)



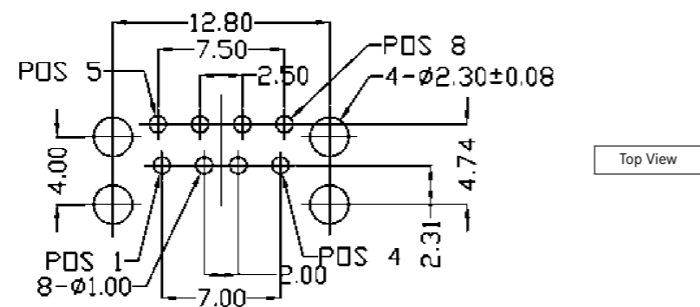
OUTLINE DIMENSIONS



KEY POSITIONS



RECOMMENDED PCB LAYOUT



SPECIFICATIONS

Insulation Resistance: 1,000MΩ min. at 500V DC
 Current Rating: 1.5A max.
 Voltage Rating: 250V AC
 Withstanding Voltage: 500V AC for 1 minute
 Contact Resistance: 30mΩ max.

MATERIALS AND FINISH

Housing: Nylon 6T UL94V-0 rated
 Shell: Phosphor Bronze, Sn over Ni
 Contacts: Phosphor Bronze
 Contact Plating: Solder Area: Sn over Ni
 Mating Area: 30μ" Au over Ni

FEATURES

- USB-A standard interface plus separate power contacts
- Assembly type plug
- RoHS2011/65/EU

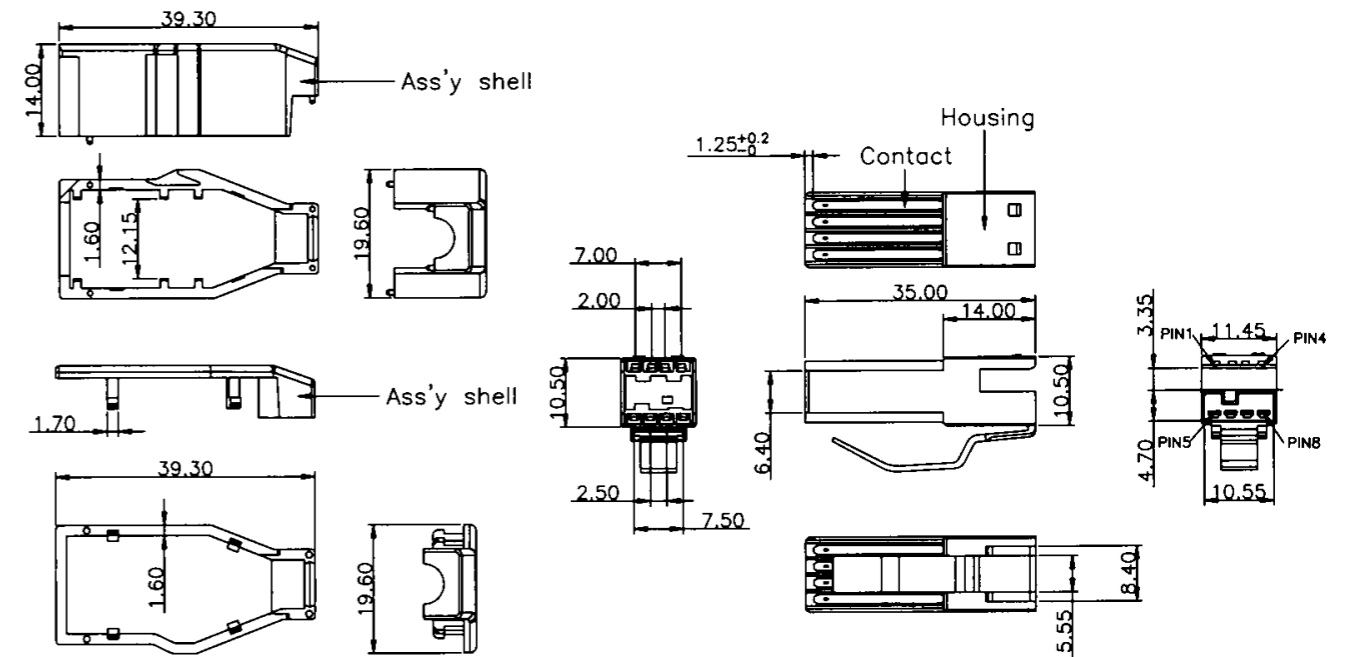
PART NUMBER

USB-APOWER - PO *

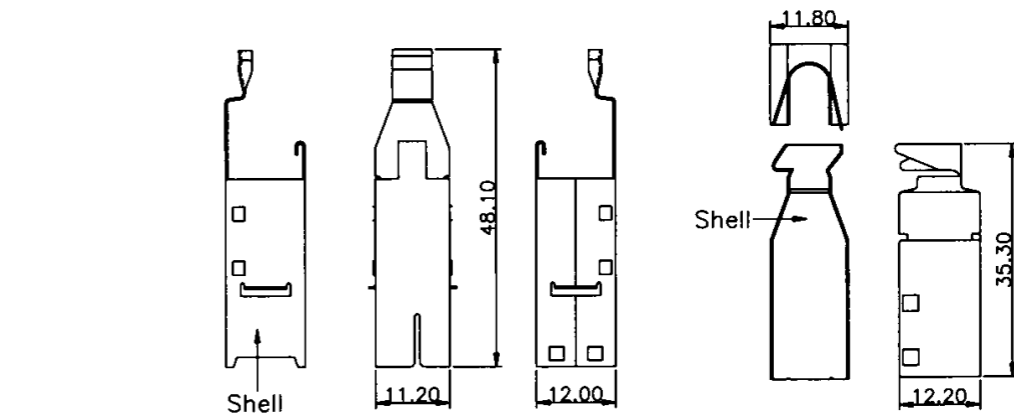
Series No.
Insulator:
1 = 5V (black)
2 = 24V (red)
3 = 12V (green)



OUTLINE DIMENSIONS



ASSEMBLY TYPE



SPECIFICATIONS

Insulation Resistance: 1000MΩ min.
 Current Rating: 1A max. per contact
 Voltage Rating: 30V AC max.
 Withstanding Voltage: 750V AC
 Contact Resistance: 15mΩ max. (initial)

MATERIALS AND FINISH

Housing: PBT (UL94V-0)
 Shell: Copper Alloy, CuNi plating
 Contacts: Copper Alloy
 Contact Plating: Solder Terminal - Sn over Ni
 Mating Area for USB-B-001 = Au Flash over Ni

FEATURE

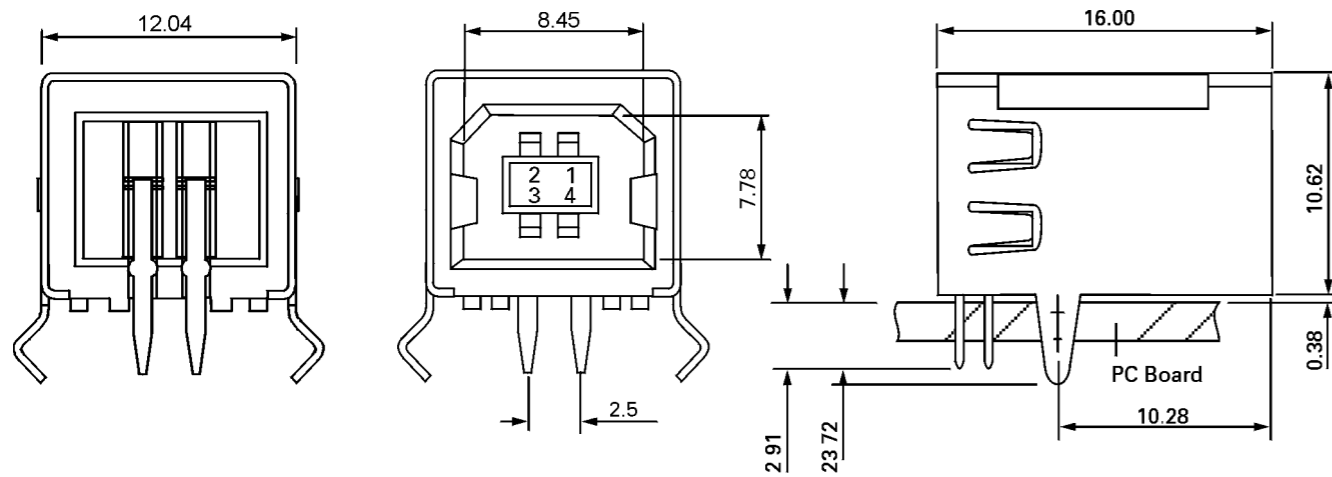
- RoHS2011/65/EU

PART NUMBER

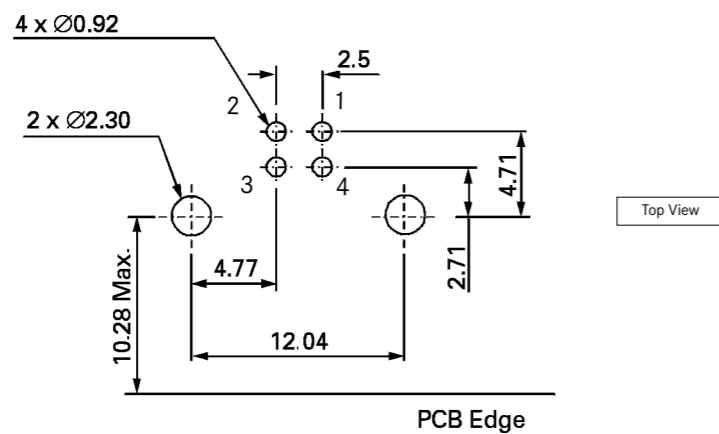
USB-B-001



TH TYPE



RECOMMENDED PCB LAYOUT



SPECIFICATIONS

Insulation Resistance: 1000MΩ min.
 Current Rating: 1.5A max. per contact
 Voltage Rating: 30V AC max.
 Withstanding Voltage: 500V AC
 Contact Resistance: 30mΩ max. (initial)

MATERIALS AND FINISH

Housing: PBT (UL94V-0)
 Shell: Copper Alloy, Ni plating
 Contacts: Copper Alloy
 Contact Plating: Solder Terminal - Sn over Ni
 Mating Area for USB-B-004 = Au Flash over Ni

FEATURE

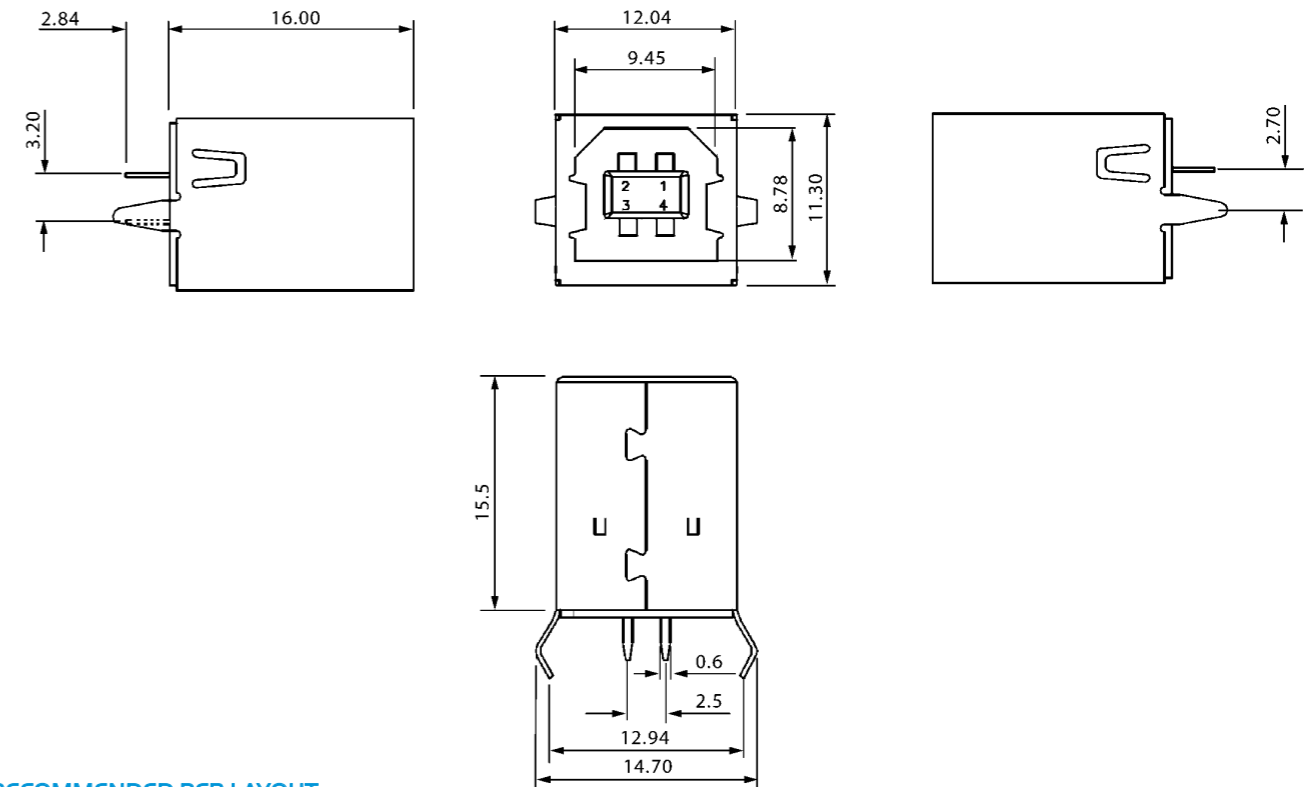
- RoHS2011/65/EU

PART NUMBER

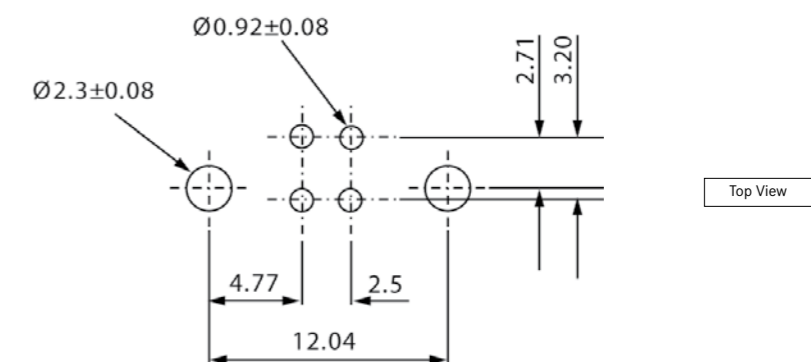
USB-B-004



180° - TH TYPE



RECOMMENDED PCB LAYOUT



SPECIFICATIONS

Insulation Resistance:	1000MΩ min.
Withstanding Voltage:	750V AC
Current Rating:	1A max. per contact
Voltage Rating:	30V AC max.
Contact Resistance:	15mΩ max. (initial)

MATERIALS AND FINISH

Housing:	Thermoplastic (UL94V-0)
Shell:	Steel, Tin over Ni
Contacts:	Copper Alloy
Contact Plating:	Au over Ni

FEATURE

- RoHS2011/65/EU

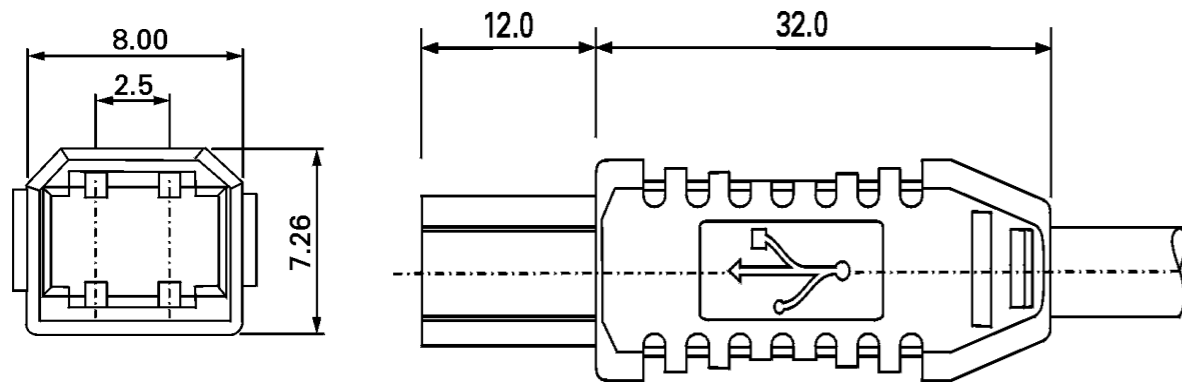
PART NUMBER

USB-B-P01

Note:
USB-B-P01 is only available in assembled versions with moulded strain relief.
For more details please contact Yamaichi.



OUTLINE PLUG DIMENSIONS



SPECIFICATIONS

Insulation Resistance:	100MΩ at 500 V
Current Rating:	0.5A
Voltage Rating:	5V AC
Withstanding Voltage:	100V AC for 1 minute
Contact Resistance:	50mΩ max.

MATERIALS AND FINISH

Housing:	High-Temp. Thermoplastic (UL94V-0)
Shell:	Phosphor Bronze
Contacts:	Phosphor Bronze, 10μ" Au over Ni

FEATURE

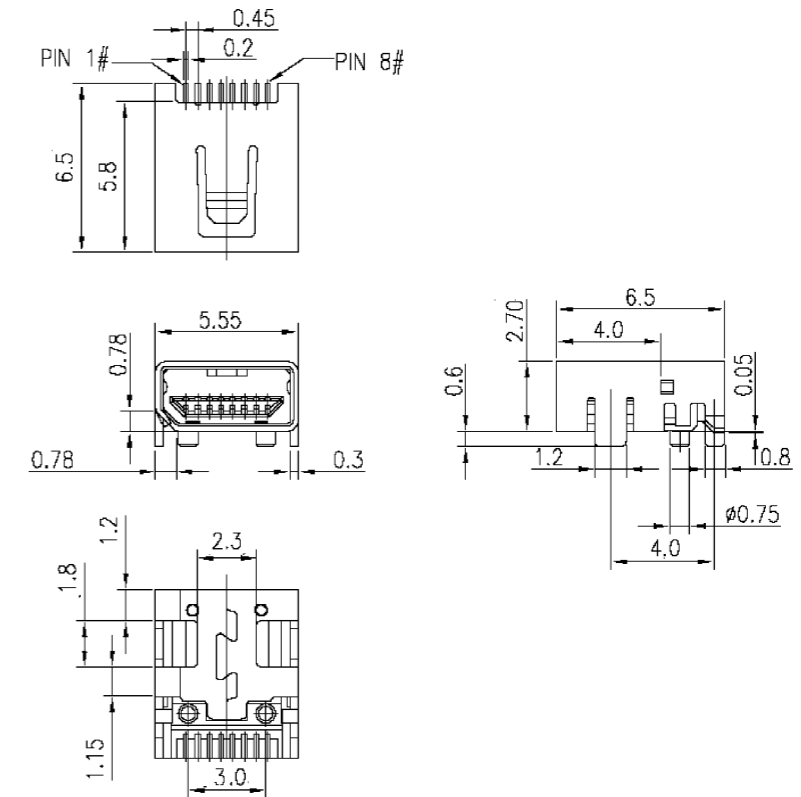
- RoHS2011/65/EU

PART NUMBER

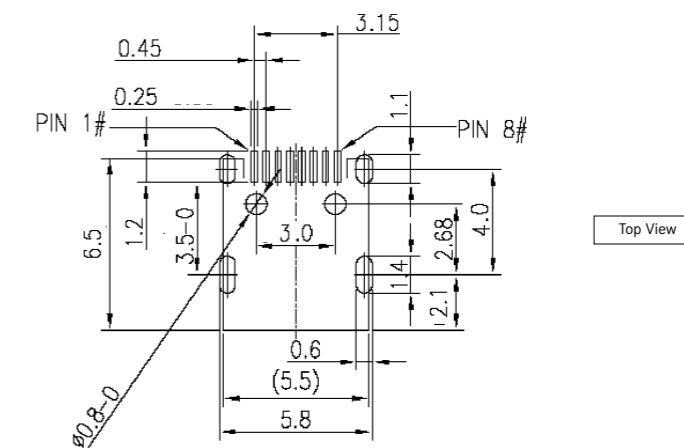
USB-M08-003A



OUTLINE DIMENSIONS



RECOMMENDED PCB LAYOUT



SPECIFICATIONS

Insulation Resistance: 100MΩ at 500V
 Current Rating: 0.5A
 Voltage Rating: 5V AC
 Withstanding Voltage: 100V AC for 1 minute
 Contact Resistance: 30mΩ max. (initial)

MATERIALS AND FINISH

Housing: High-Temp. Thermoplastic, (UL94V-0)
 Shell: Steel, 100μ Ni Plated
 Contacts: Phosphor Bronze
 Contact Plating: Solder area - Sn over Ni
 Mating area - 10μ Au over Ni

FEATURES

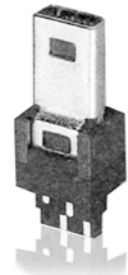
- Assembly version
- RoHS2011/65/EU

PART NUMBER

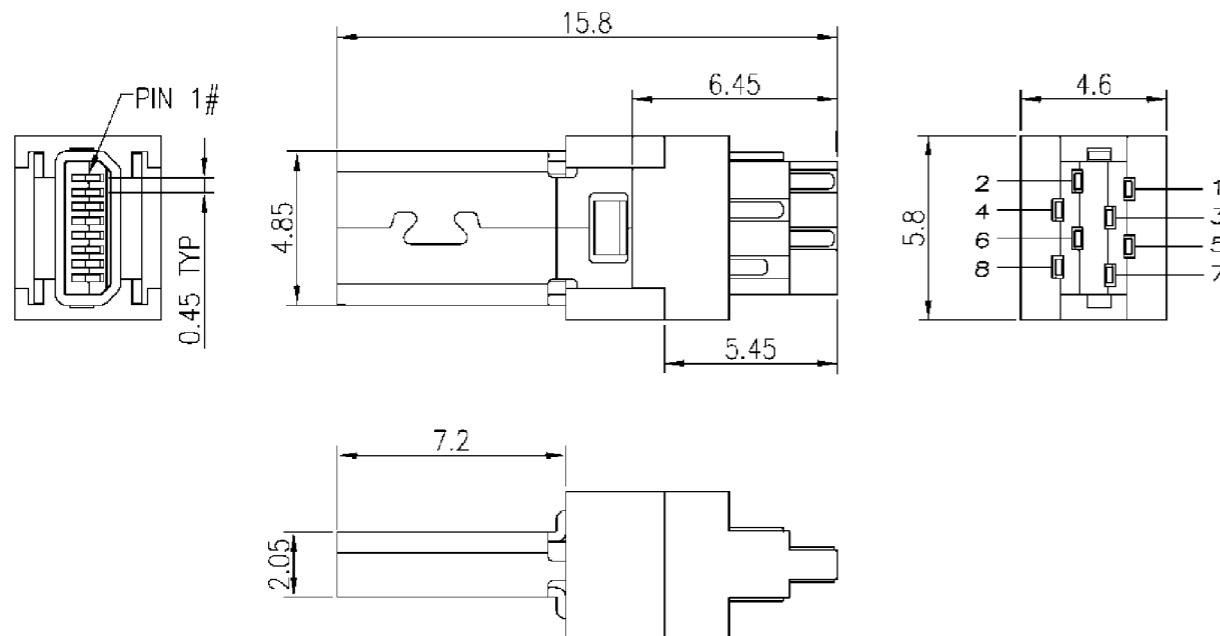
USB-M08-P

Note:

USB-M08-P is also available in assembled version with moulded strain relief. For more details please contact Yamaichi.



OUTLINE DIMENSIONS



SPECIFICATIONS

Insulation Resistance: 100MΩ at 100 V DC for 1 minute
 Current Rating: 1A max. per contact
 Voltage Rating: 100V ACmax.
 Withstanding Voltage: 500V AC for 1 minute
 Contact Resistance: 50mΩ max. at20mV max. / 100mA max.

MATERIALS AND FINISH

Housing: PA 6T (UL94V-0)
 Shell: Copper Alloy, Tin over Cu
 Contacts: Copper Alloy
 Contact Plating: Solder area - Tin over Ni
 Mating area - Au Flash over 30μ"

FEATURES

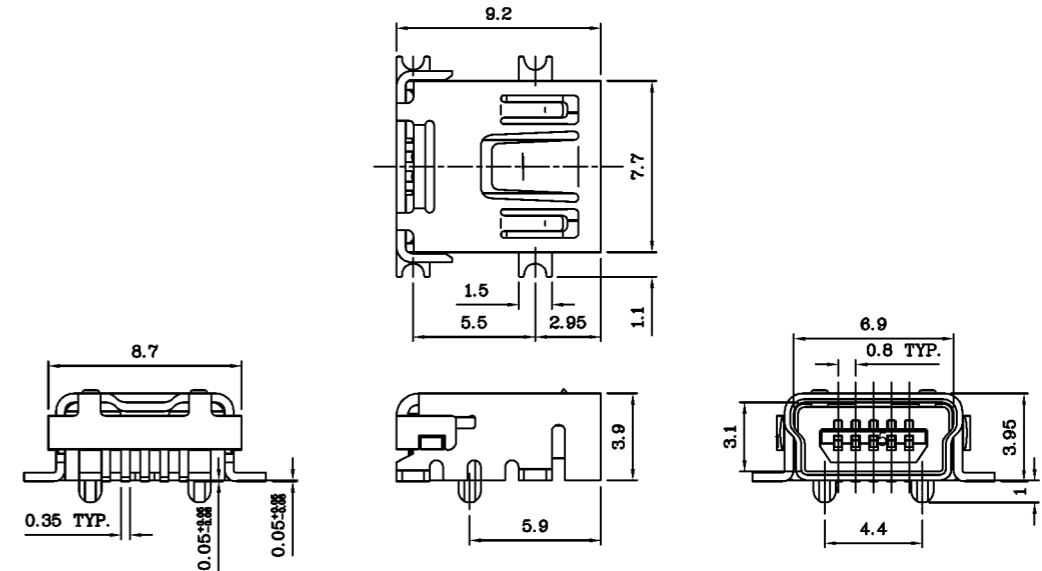
- According to High-Speed USB standard, data transmission rate up to 480 Mbit / sec
- RoHS2011/65/EU

PART NUMBER

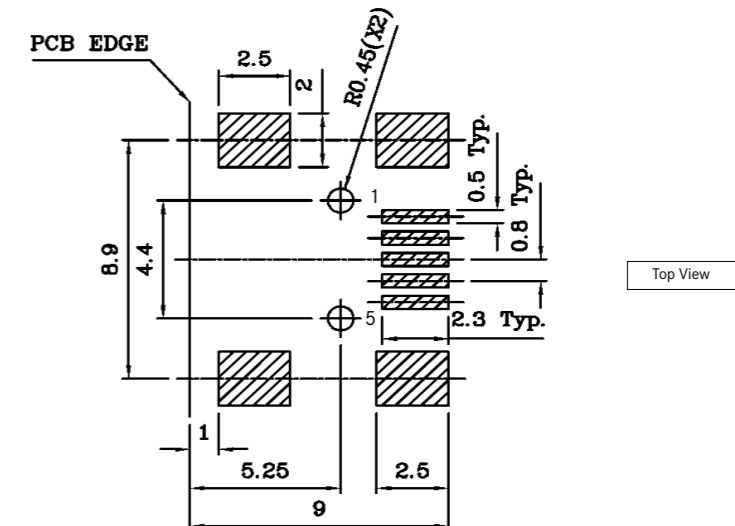
USB-M05-003



OUTLINE DIMENSIONS SMT TYPE



RECOMMENDED PCB LAYOUT



SPECIFICATIONS

Insulation Resistance: 100MΩ at 100 V DC for 1 minute
 Withstanding Voltage: 100V AC for 1 minute
 Voltage Rating: 30V ACrms max.
 Current Rating: 1A max. per contact
 Contact Resistance: 30mΩ max. at 20mV max. / 100mA max.

MATERIALS AND FINISH

Shell: Ni plated over Copper
 Housing: Thermoplastic, glass filled (UL94V-0)
 Contacts: Copper Alloy
 Contact Plating: Mating area - Au Flash over 30μ"

FEATURES

- Premating contacts to secure data protection when hot plug / unplug
- According to High-Speed USB standard, data transmission rate up to 480 Mbit / sec
- RoHS2011/65/EU

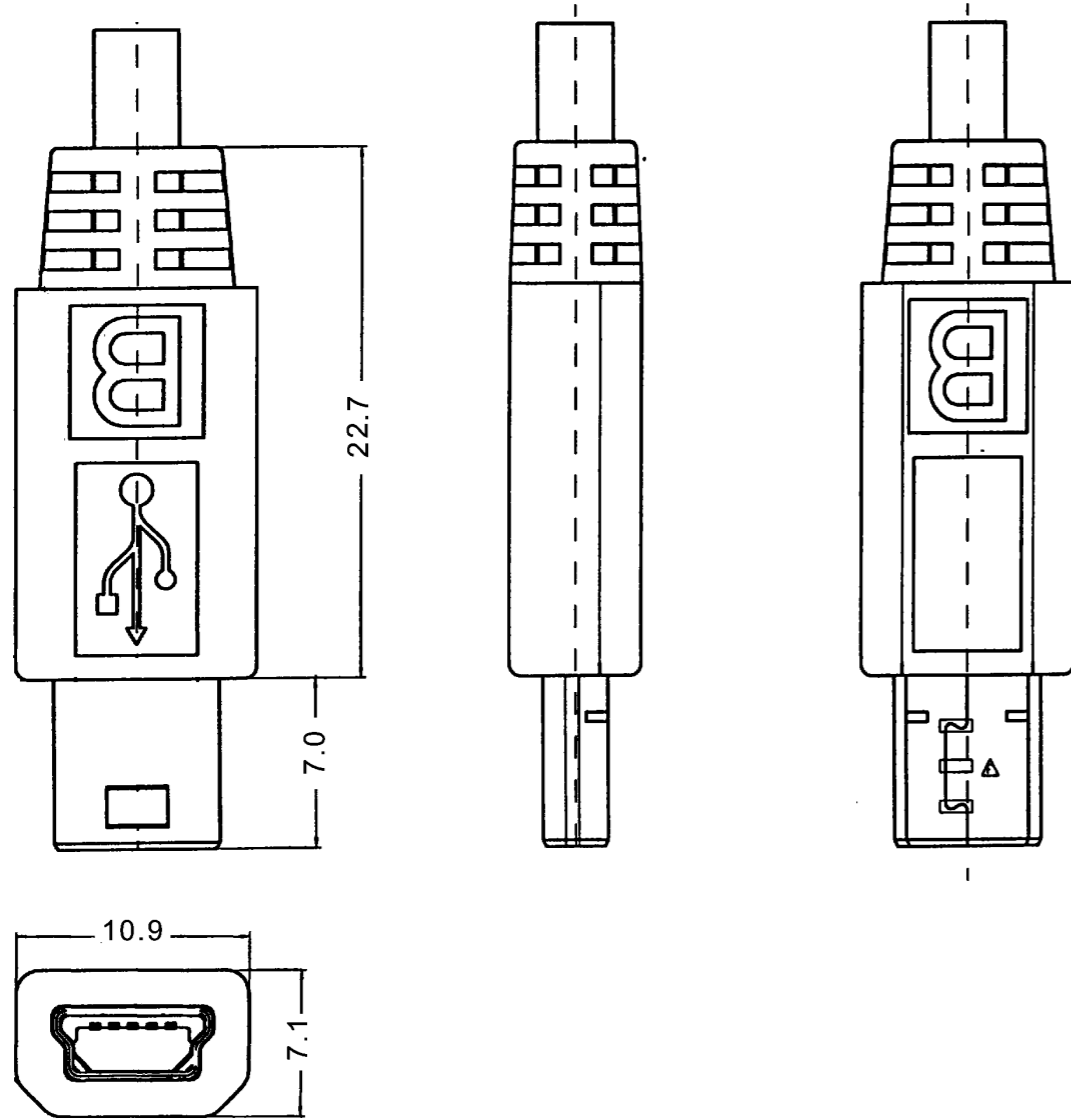
PART NUMBER

USB-M05-P

Note:
 USB-M05-P is only available in assembled versions with moulded strain relief.
 For more details please contact Yamaichi.



OUTLINE DIMENSIONS PLUG



SPECIFICATIONS

Insulation Resistance: 1000MΩ at 100 V DC for 1 minute
 Current Rating: 1A max. per contact
 Voltage Rating: 30V AC max.
 Withstanding Voltage: 500V AC (rms) for 1 minute
 Contact Resistance: 30mΩ max. (initial)

MATERIALS AND FINISH

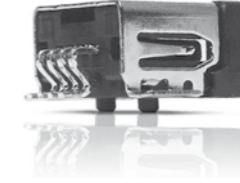
Housing: Thermoplastic (UL94V-0)
 Shell: Tin over Copper Alloy
 Contacts: Copper Alloy
 Contact Plating: Solder area - Solder over Ni
 Mating area - Au over Ni

FEATURE

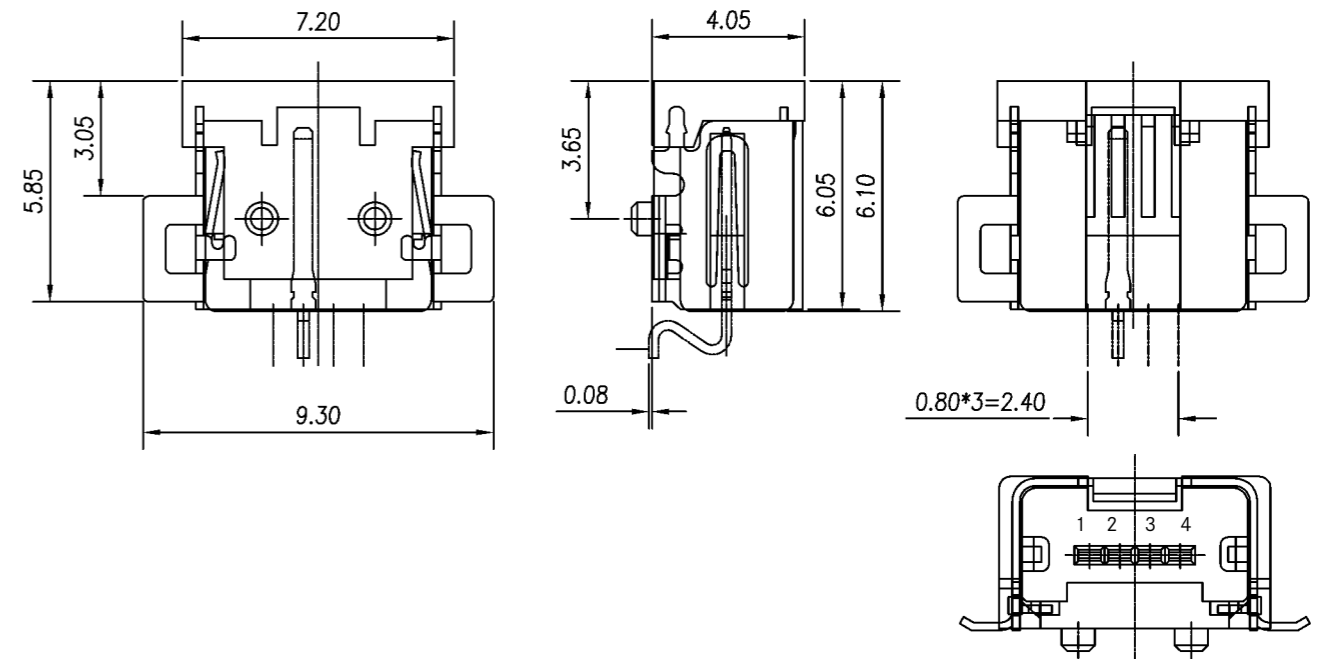
- RoHS2011/65/EU

PART NUMBER

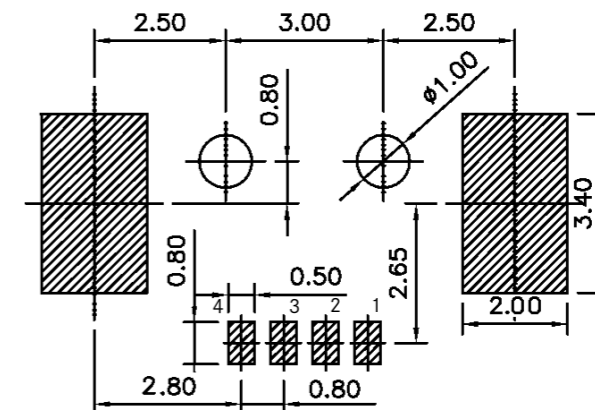
USB-M04-003



OUTLINE DIMENSIONS SMT TYPE



RECOMMENDED PCB LAYOUT



SPECIFICATIONS

Insulation Resistance:	1000MΩ at 100V DC for 1 minute
Withstanding Voltage:	500V AC for 1 minute
Voltage Rating:	30V AC max.
Current Rating:	1A max. per contact
Contact Resistance:	15mΩ max. (initial)

MATERIALS AND FINISH

Housing:	Thermoplastic, (UL94V-0)
Shell:	Tin over Copper Alloy
Contacts:	Copper Alloy
Contact Plating:	Solder area - Sn over Ni Mating area - Au over Ni

FEATURE

- RoHS2011/65/EU

PART NUMBER

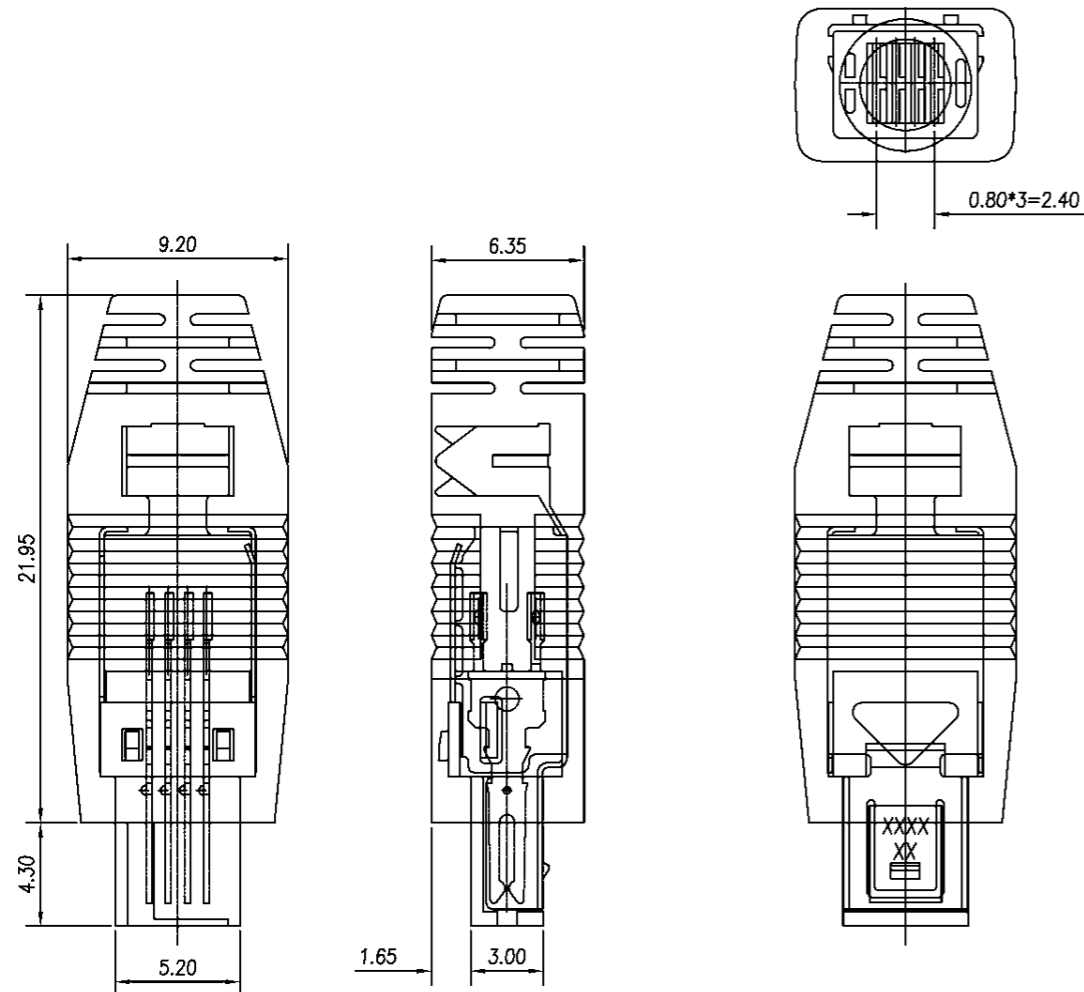
USB-M04-P

Assembly set with plastic cover

Note:
USB-M04-P is also available in assembled version with moulded strain relief.
For more details please contact Yamaichi.



OUTLINE DIMENSIONS PLUG



SPECIFICATIONS

Insulation Resistance:	100MΩ min.
Current Rating:	0.5A
Voltage Rating:	250V AC
Contact Resistance:	30mΩ max.
Withstanding Voltage:	100V AC for 1 minute
Operating Temp. Range:	-20°C to +80°C

MATERIALS AND FINISH

Insulator and Cover:	Nylon-66 (UL94V-0)
Shell and Latch:	Stainless Steel
Contacts:	Phosphor Bronze, selective Au Plated

FEATURE

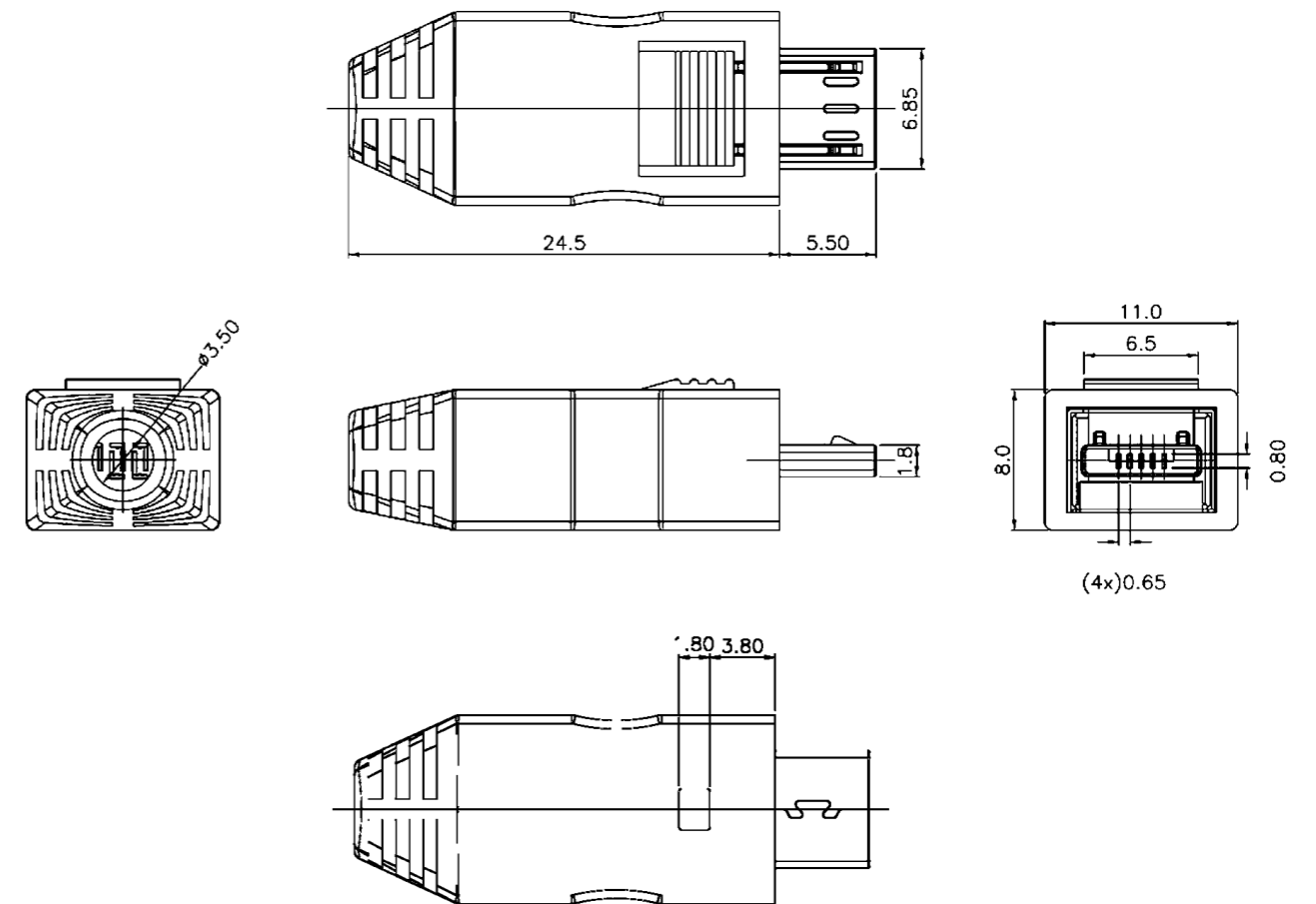
- With lock button
- RoHS2011/65/EU

PART NUMBER

USB-MC5-002



OUTLINE DIMENSIONS FOR TYPE A



SPECIFICATIONS

Insulation Resistance: 100MΩ min.
 Current Rating: 0.5A
 Voltage Rating: 250V AC
 Contact Resistance: 30mΩ max.
 Withstanding Voltage: 100V AC for 1 minute
 Operating Temp. Range: -20°C to +80°C

MATERIALS AND FINISH

Insulator: LCP, (UL94V-0)
 Shell: Brass
 Contacts: Phosphor Bronze, selective Au Plated

FEATURE

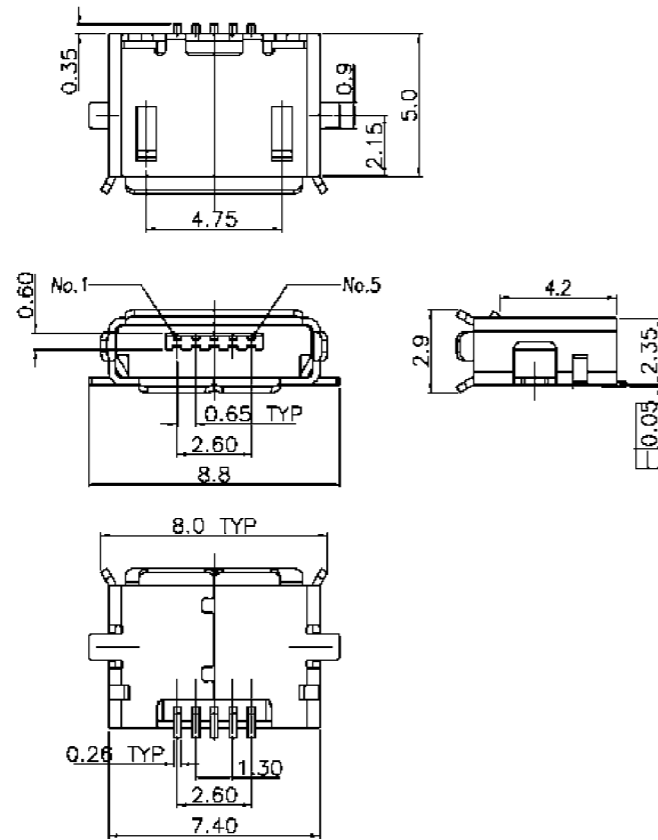
• RoHS2011/65/EU

PART NUMBER

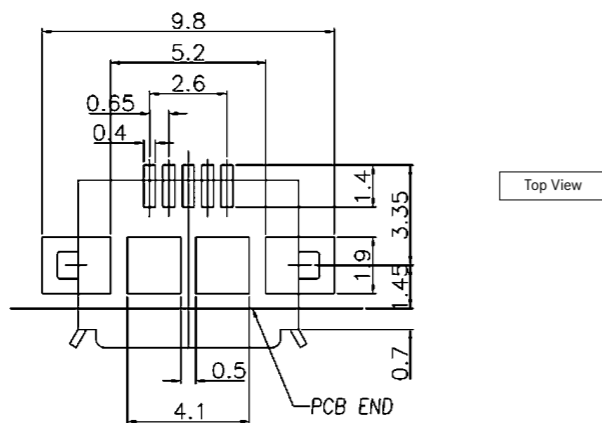
USB-MC5-004



OUTLINE DIMENSIONS



RECOMMENDED PCB LAYOUT (TYPE AB)



SPECIFICATIONS

Insulation Resistance: 100MΩ min.
 Current Rating: 0.5A
 Voltage Rating: 250V AC
 Contact Resistance: 30mΩ max.
 Withstanding Voltage: 100V AC for 1 minute
 Operating Temp. Range: -20°C to +80°C

MATERIALS AND FINISH

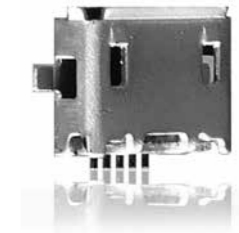
Insulator: LCP, (UL94V-0)
 Shell: Brass
 Contacts: Phosphor Bronze, selective Au Plated

FEATURE

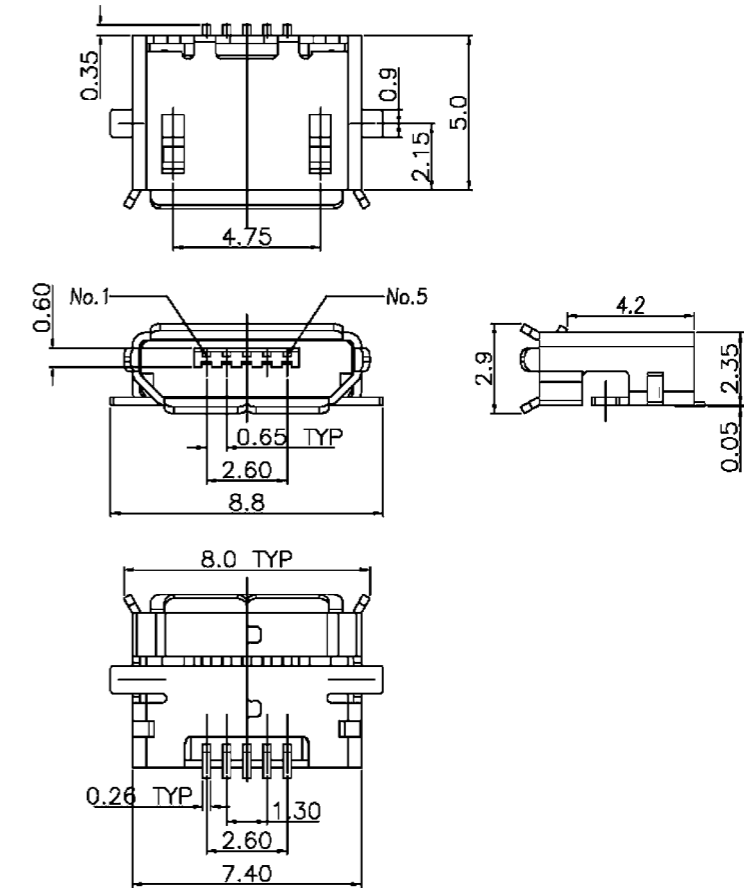
• RoHS2011/65/EU

PART NUMBER

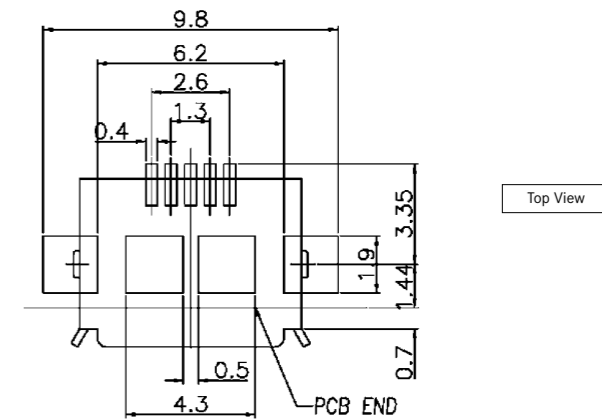
USB-MC5-003



OUTLINE DIMENSIONS



RECOMMENDED PCB LAYOUT (TYPE B)



SPECIFICATIONS

Insulation Resistance:	100MΩ min.
Current Rating:	0.5A
Voltage Rating:	250V AC
Contact Resistance:	30mΩ max.
Withstanding Voltage:	100V AC for 1 minute
Operating Temp. Range:	-20°C to +80°C

MATERIALS AND FINISH

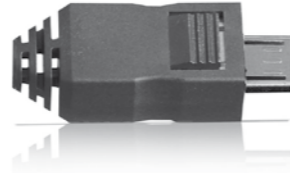
Insulator and Cover:	Nylon-66 (UL94V-0)
Shell and Latch:	Stainless Steel
Contacts:	Phosphor Bronze, selective Au Plated

FEATURE

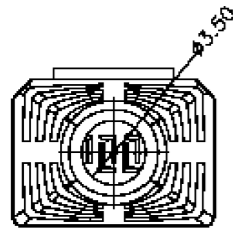
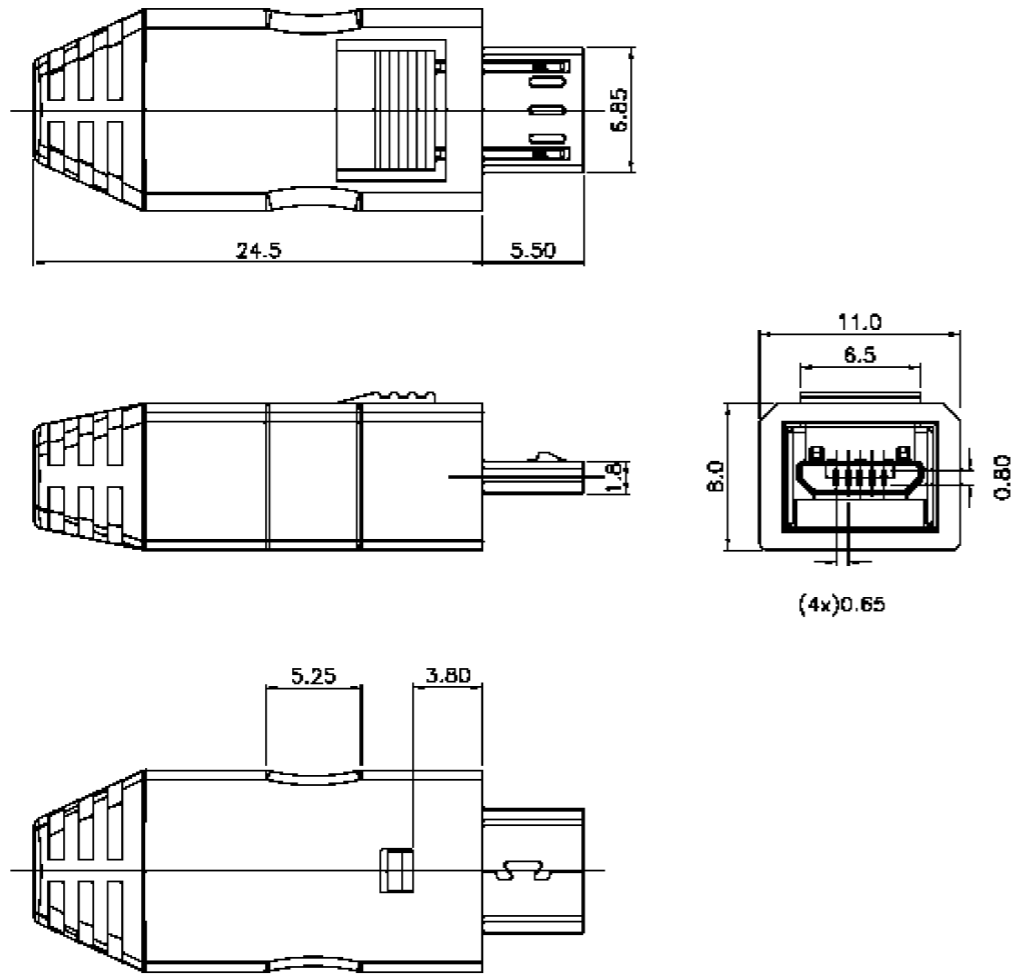
- With lock button
- RoHS2011/65/EU

PART NUMBER

USB-MC5-0010



OUTLINE DIMENSIONS TYPE B



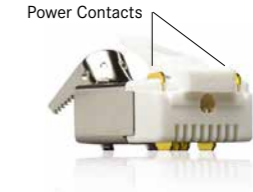
PROTECTION STANDARDS IP67, IP68 AND IP69K

The approved Yamaichi Y-Con series designed for toughest industrial applications consists of a modular, flexible and extendable product line. These series fulfils the stringent IP20, IP67, IP68, IP69K (EN60529 and DIN40050) environmental protection standards.



POWER SUPPLY AND DATA TRANSMISSION

The Y-ConRJ45 is the unique industrial grade connector system which is based on RJ45-specification with additional integrated contacts for power supply. In amendment to our Y-Con RJ45 series you will also find other RJ45 products for your standard applications. With plugs, jacks and patch-cables you will find a wide range of high quality products to fulfill your needs.



FAST AND EASY FIELD ASSEMBLY

The Y-Con product line consists of a large accessories program as well as fitting tools which allow easy field assembly or effective achievement of a repair work.



HIGH/LOW TEMPERATURE AND SHOCK RESISTANT

Many products of the Y-Con series are for an operating temperature range of -40°C to + 120°C through the use of high quality materials. The IP6*- connector system was tested successfully against shock and vibration up to 50g (acc. DIN IEC 68-2-6). The IP20 locking mechanism of Y-Con withstands vibration-plagued applications and guarantees highest plugging security.



MODULAR SYSTEM EXPANSION

The modular concept of the Y-Con series can be expanded any time as and when the application demands. Connection as USB-A and USB-B can be adapted, exchanged or replaced in the same IP6* housing without expensive re-work costs. The Y-Con peripheral equipment for industrial environments follow the same idea, to design a flexible system expansion as effective as possible.



For more information about our Industrial RJ45 Connector System Y-Con please download our catalogue from our homepage.
<https://www.yamaichi.de/downloads/product-catalogues.html>



PLUG PART NUMBER
RJ45-P8805PCSC-AAT24



DESCRIPTION

RJ45 Plug shielded CAT5 with 8 positions and 8 contacts. Assembly with tool.

MATERIAL

Plug body PC, UL94V-0
Shielding Ni plated brass
Contact Contact area 30µ"Au over Ni

FEATURE

- RoHS2011/65/EU

SPECIFICATIONS

Durability 1,000 mechanical cycles

ACCESSORIES PART NUMBER
RJ45-PAS-05



DESCRIPTION

IP20 strain relief red, other colours on request

MATERIAL PVC

PLUG PART NUMBER
RJ45-P8806PCSC-AAT24



DESCRIPTION

RJ45 Plug shielded CAT6 with 8 positions and 8 contacts. Assembly with tool.

MATERIAL

Plug body PC, UL94V-0
Shielding Ni plated brass
Contact Phosphor bronze
Contact area 30µ"Au over Ni

FEATURE

- RoHS2011/65/EU

SPECIFICATIONS

Durability 1,000 mechanical cycles

ACCESSORIES PART NUMBER
RJ45-PAS-06



DESCRIPTION

IP20 strain relief blue, other colours on request

MATERIAL ABS

PLUG PART NUMBER
RJ45-P886APCSC-AAT24



DESCRIPTION

RJ45 Plug shielded CAT6, with 8 positions and 8 contacts. Assembly with tool.

MATERIAL

Plug body PC, UL94V-0
Shielding Ni plated brass
Contact Phosphor bronze
Contact area 30µ"Au over Ni

FEATURE

- RoHS2011/65/EU

SPECIFICATIONS

Durability 1,000 mechanical cycles

ACCESSORIES PART NUMBER
RJ45-PAS-06



DESCRIPTION

IP20 strain relief blue, other colours on request

MATERIAL ABS

PATCH CABLE PART NUMBER.
CPSRJ4508F-ORJOORD-035TXC

DESCRIPTION

STP cable PVC red, AWG24
Cable length 350mm

MATERIAL

Plating Flash Au

FEATURE

- RoHS2011/65/EU



other patch cables on request



PART NUMBER

TS6K88-S

Other variations are available on request

DESCRIPTION

RJ45 Jack SMT 90° unshielded, tab down with 8 positions and 8 contacts, low profile

FEATURE

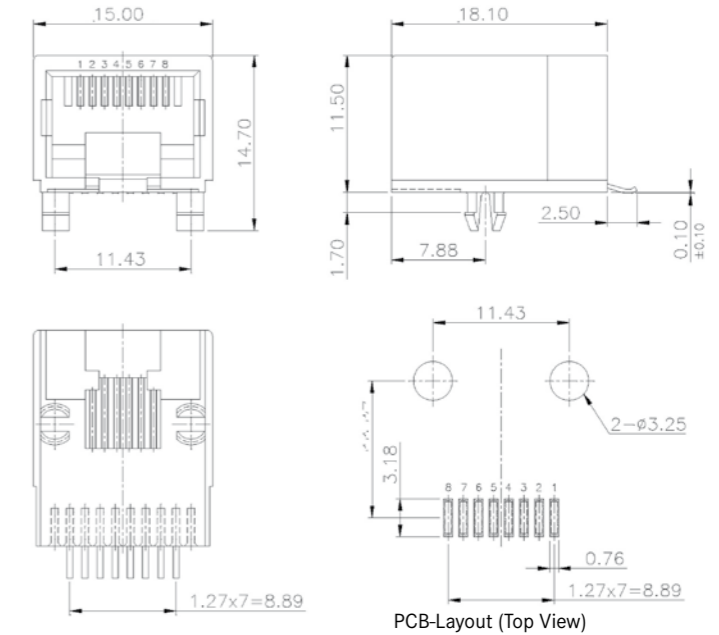
- RoHS2011/65/EU

MATERIAL

Jack body High-Temp.. thermoplastic, UL94V-0
Shielding None
Contact Phosphor bronze
Contact Area 6µ"Au over Ni
Solder Area Tin plating over Ni

SPECIFICATIONS

Durability: 1,000 mechanical cycles



PART NUMBER

TS3004ST-88ISM

Other variations are available on request

DESCRIPTION

RJ45 Jack SMT 90° shielded, tab down with 8 positions and 8 contacts

FEATURE

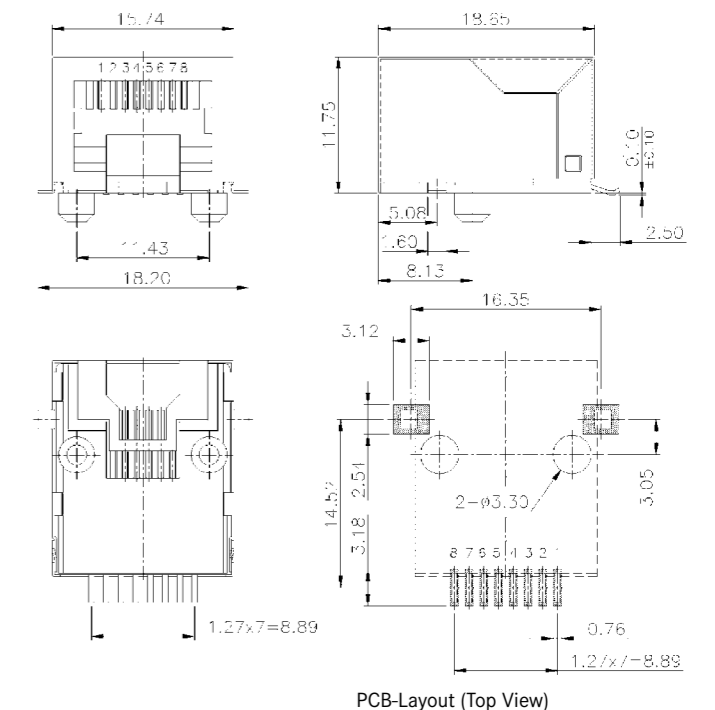
- RoHS2011/65/EU

MATERIAL

Jack body Thermoplastic, UL94V-0
Shielding Brass with Ni plating
Contact Phosphor bronze
Contact Area 6µ"Au over Ni
Solder Area Tin plating over Ni

SPECIFICATIONS

Durability: 1,000 mechanical cycles





PART NUMBER

TS3004SMT-8P10C

Other variations are available on request

DESCRIPTION

RJ45 Jack SMT 90° shielded, tab down with 10 positions and 10 contacts

FEATURE

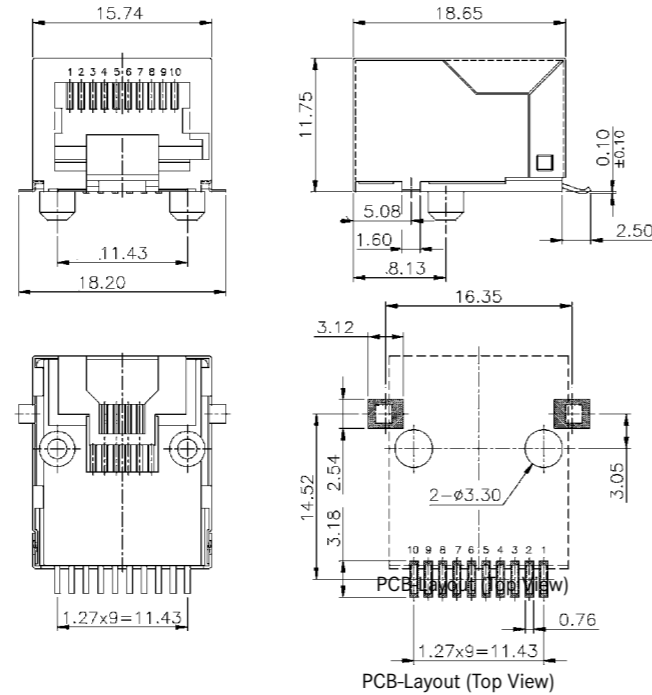
RoHS2011/65/EU

MATERIAL

Jack body Thermoplastic, UL94V-0
Shielding Ni plated brass
Contact Phosphor bronze
Contact Area 6μ" Au over Ni
Solder Area Tin plating over Ni

SPECIFICATIONS

Durability 1,000 mechanical cycles



PART NUMBER

TS3046-881-LED-YG

Other variations are available on request

DESCRIPTION

RJ45 Jack for wave soldering 90° unshielded, tab up with 8 positions and 8 contacts, LED yellow-green

FEATURE

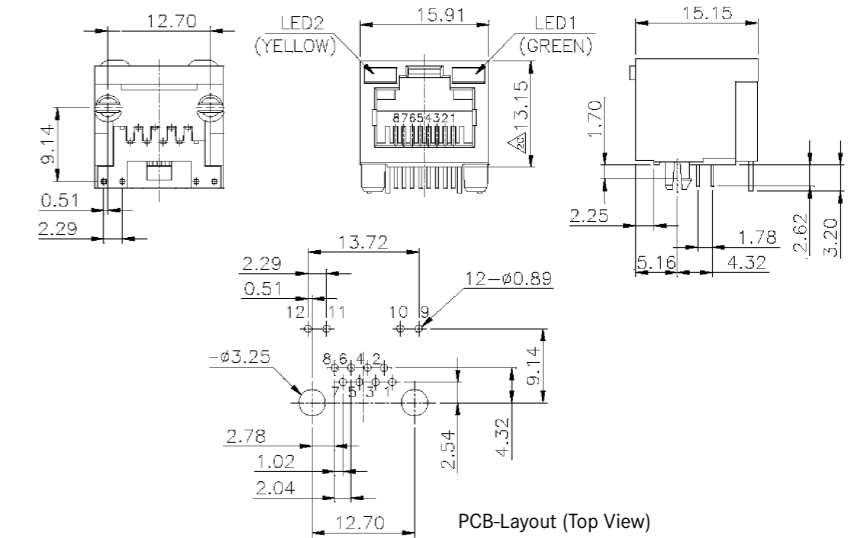
RoHS2011/65/EU

MATERIAL

Jack body Thermoplastic, UL94V-0
Shielding None
Contact Phosphor bronze
Contact Area 6μ" Au over Ni
Solder Area Tin plating over Ni

SPECIFICATIONS

Durability 1,000 mechanical cycles



PART NUMBER

TS3030-881

Other variations are available on request

DESCRIPTION

RJ45 Jack for wave soldering 45° unshielded, tab up with 8 positions and 8 contacts

FEATURE

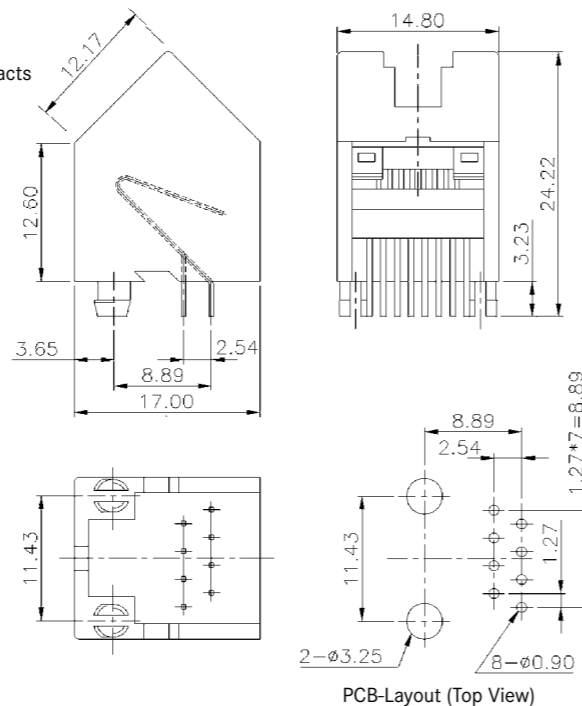
RoHS2011/65/EU

MATERIAL

Jack body Thermoplastic, UL94V-0
Shielding None
Contact Phosphor bronze
Contact Area 6μ" Au over Ni
Solder Area Tin plating over Ni

SPECIFICATIONS

Durability 1,000 mechanical cycles



PART NUMBER

TS6K88-A

Other variations are available on request

DESCRIPTION

RJ45 Jack for wave soldering 90° unshielded, tab down with 8 positions and 8 contacts, low profile

FEATURE

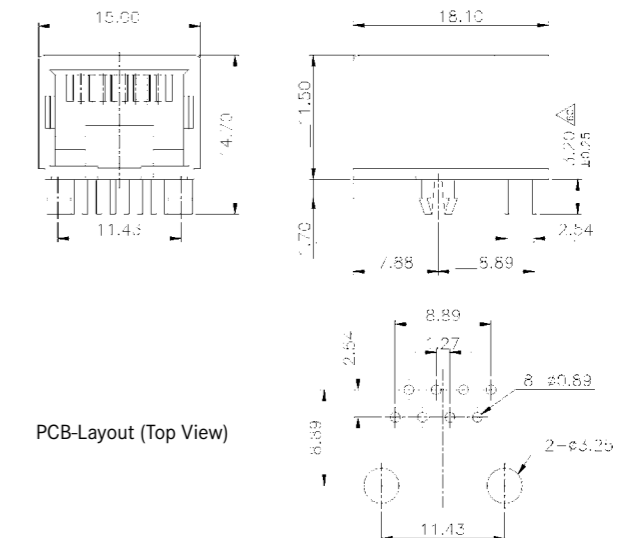
RoHS2011/65/EU

MATERIAL

Jack body Thermoplastic, UL94V-0
Shielding None
Contact Phosphor bronze
Contact Area 6μ" Au over Ni
Solder Area Tin plating over Ni

SPECIFICATIONS

Durability 1,000 mechanical cycles





PART NUMBER

TS30145-66-1

Other variations are available on request

DESCRIPTION

RJ45 Jack for wave soldering 90° shielded, tab down with 6 positions and 6 contacts

FEATURE

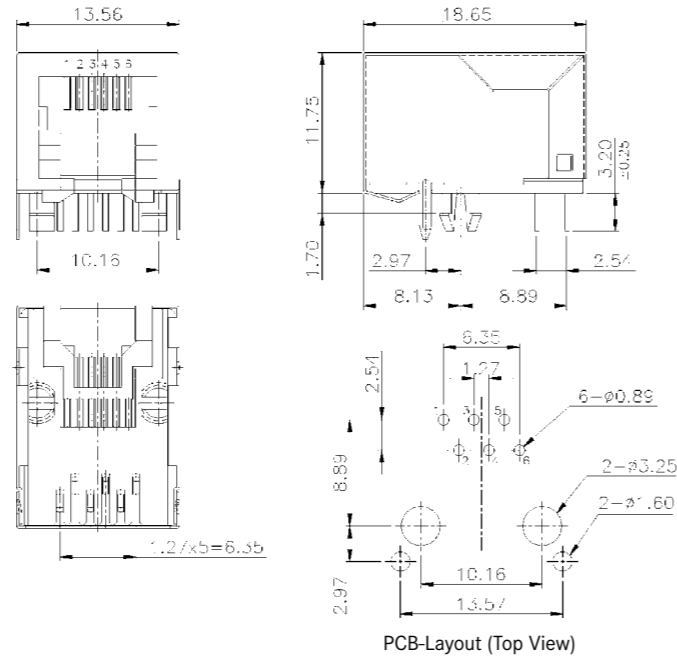
RoHS2011/65/EU

MATERIAL

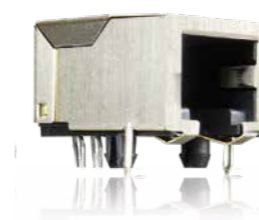
Jack body Thermoplastic, UL94V-0
Shielding Ni plated brass
Contact Phosphor bronze
Contact Area 6μ" Au over Ni
Solder Area Tin plating over Ni

SPECIFICATIONS

Durability 1,000 mechanical cycles



PCB-Layout (Top View)



PART NUMBER

TS30145-88

Other variations are available on request

DESCRIPTION

RJ45 Jack for wave soldering 90° shielded, tab down with 8 positions and 8 contacts

FEATURE

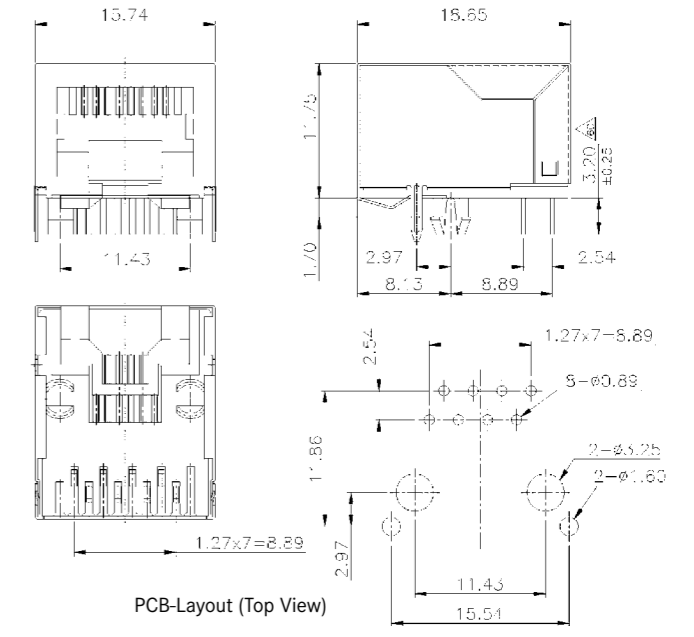
RoHS2011/65/EU

MATERIAL

Jack body Thermoplastic, UL94V-0
Shielding Ni plated brass
Contact Phosphor bronze
Contact Area 6μ" Au over Ni
Solder Area Tin plating over Ni

SPECIFICATIONS

Durability 1,000 mechanical cycles



PCB-Layout (Top View)



PART NUMBER

TS30465-88

Other variations are available on request

DESCRIPTION

RJ45 Jack for wave soldering 90° shielded, tab up with 8 positions and 8 contacts

FEATURE

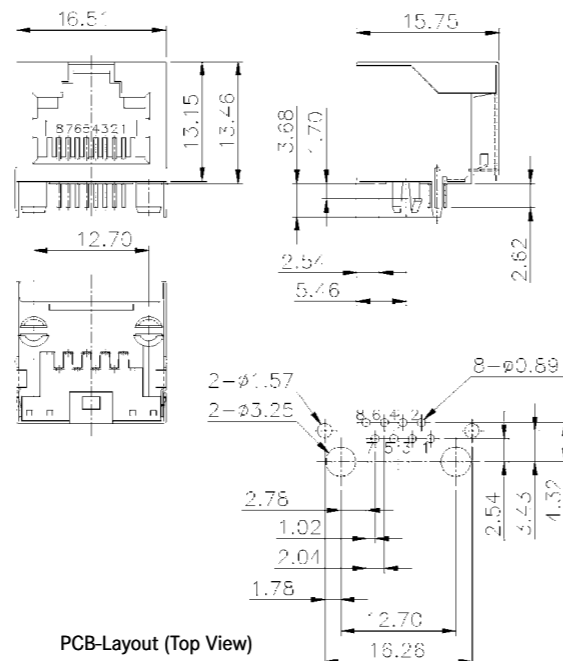
RoHS2011/65/EU

MATERIAL

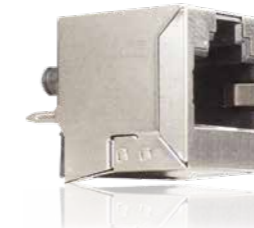
Jack body Thermoplastic, UL94V-0
Shielding Ni plated brass
Contact Phosphor bronze
Contact Area: 6μ" Au over Ni
Solder Area Tin plating over Ni

SPECIFICATIONS

Durability 1,000 mechanical cycles



PCB-Layout (Top View)



PART NUMBER

TS30095-88

Other variations are available on request

DESCRIPTION

RJ45 Jack for wave soldering 180° shielded, with 8 positions and 8 contacts

FEATURE

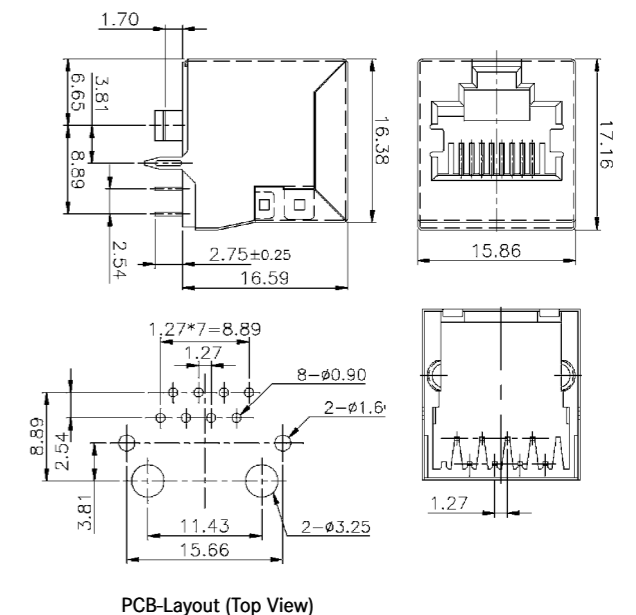
RoHS2011/65/EU

MATERIAL

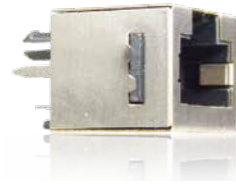
Jack body Thermoplastic, UL94V-0
Shielding Ni plated brass
Contact Phosphor bronze
Contact Area 6μ" Au over Ni
Solder Area Tin plating over Ni

SPECIFICATIONS

Durability 1,000 mechanical cycles



PCB-Layout (Top View)



PART NUMBER

TS3017S1-88

Other variations are available on request

DESCRIPTION

RJ45 Jack for wave soldering 180° shielded, with 8 positions and 8 contacts

FEATURE

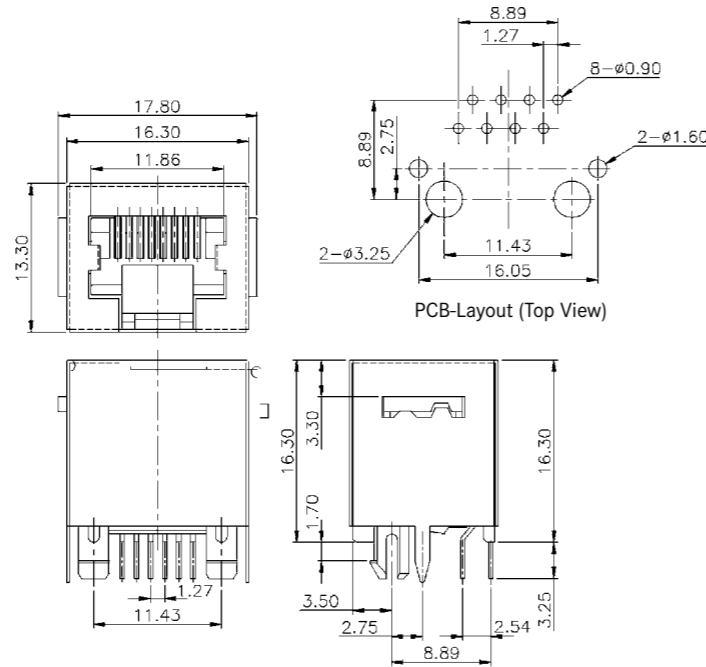
RoHS2011/65/EU

MATERIAL

Jack body	Thermoplastic, UL94V-0
Shielding	Ni plated brass
Contact	Phosphor bronze
Contact Area	6µ" Au over Ni
Solder Area	Tin plating over Ni

SPECIFICATIONS

Durability 1,000 mechanical cycles



PART NUMBER

TS3101S-881

Other variations are available on request

DESCRIPTION

RJ45 Coupler Jack 180° shielded, with 8 positions and 8 contacts. 1:1 wiring

FEATURE

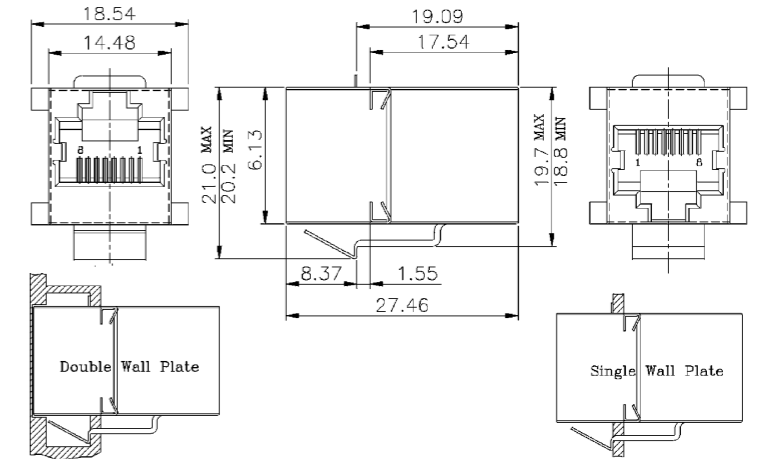
RoHS2011/65/EU

MATERIAL

Jack body	Thermoplastic, UL94V-0
Shielding	Stainless Steel
Contact	Phosphor bronze
Contact Area	6µ" Au over Ni
Solder Area	None

SPECIFICATIONS

Durability 1,000 mechanical cycles



PART NUMBER

TS3061S-881-GREEN-GREEN

Other variations are available on request



DESCRIPTION

RJ45 Jack for wave soldering 180° shielded, with 8 positions and 8 contacts, LED green-green

FEATURE

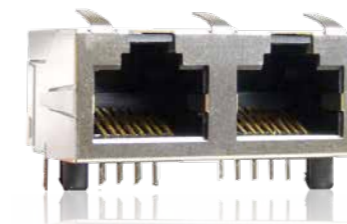
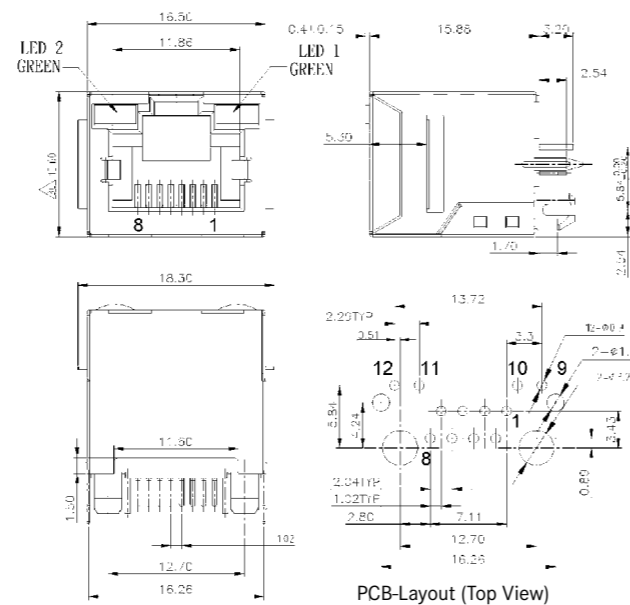
RoHS2011/65/EU

MATERIAL

Jack body	Thermoplastic, UL94V-0
Shielding	Ni plated brass
Contact	Phosphor bronze
Contact Area	6µ" Au over Ni
Solder Area	Tin plating over Ni

SPECIFICATIONS

Durability 1,000 mechanical cycles



PART NUMBER

TS3046S-02880

Other variations are available on request

DESCRIPTION

RJ45 Double Port Jack (1 level x 2 ports) for wave soldering 90° shielded, tab up with 16 contacts and shield springs

FEATURE

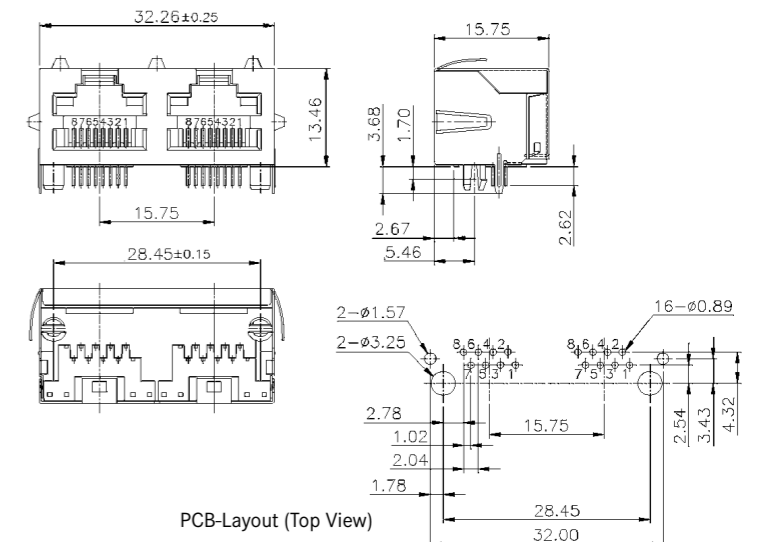
RoHS2011/65/EU

MATERIAL

Jack body	Thermoplastic, UL94V-0
Shielding	Ni plated brass
Contact	Phosphor bronze
Contact Area	50µ" Au over Ni
Solder Area	Tin plating over Ni

SPECIFICATIONS

Durability 1,000 mechanical cycles





PART NUMBER

TS30225-2661

Other variations are available on request

DESCRIPTION

RJ45 Quad Port Jack (2 level x 2 ports) for wave soldering 90° shielded, tab up/ down with 24 contacts and shield springs

FEATURE

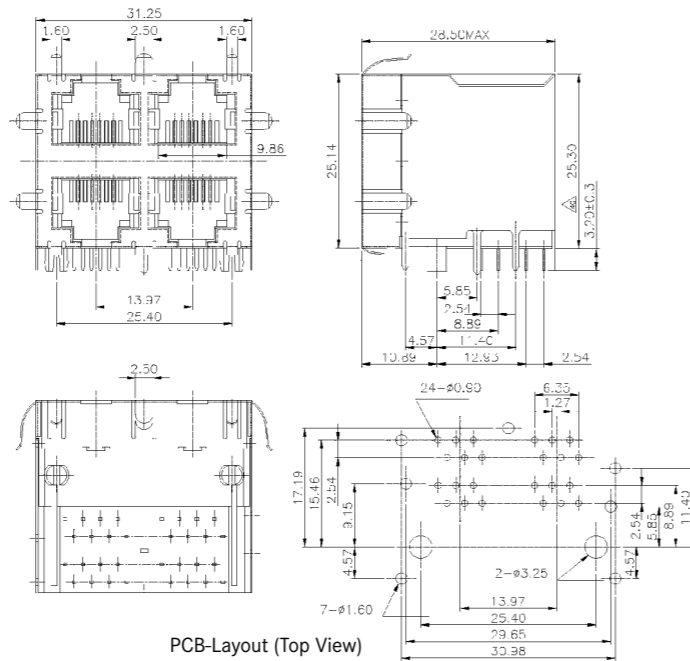
RoHS2011/65/EU

MATERIAL

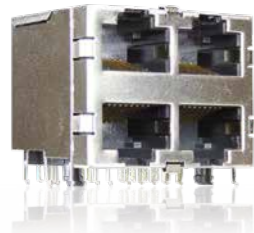
Jack body Thermoplastic, UL94V-0
Shielding Stainless steel
Contact Phosphor bronze
Contact Area 6µ" Au over Ni
Solder Area Tin plating over Ni

SPECIFICATIONS

Durability 1,000 mechanical cycles



PCB-Layout (Top View)



PART NUMBER

TS30225-288

Other variations are available on request

DESCRIPTION

RJ45 Quad Port Jack (2 level x 2 ports) for wave soldering 90° shielded, tab up/down with 32 contacts and shield springs

FEATURE

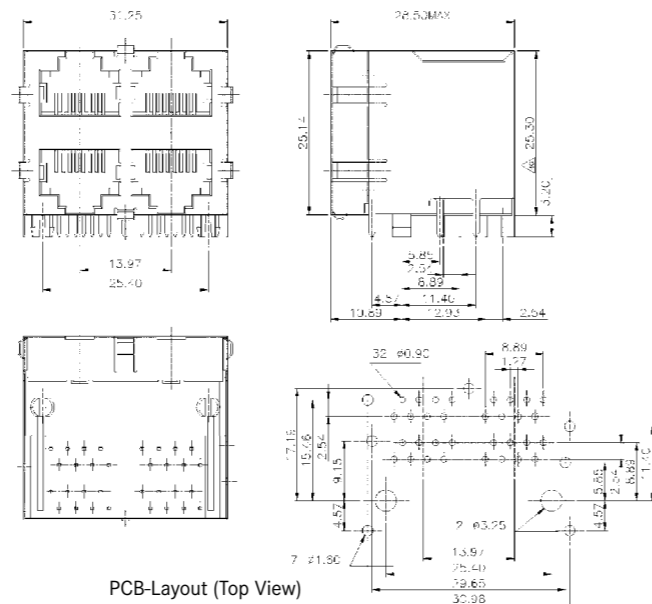
RoHS2011/65/EU

MATERIAL

Jack body Thermoplastic, UL94V-0
Shielding Stainless Steel
Contact Phosphor bronze
Contact Area 6µ" Au over Ni
Solder Area Tin plating over Ni

SPECIFICATIONS

Durability 1,000 mechanical cycles



PCB-Layout (Top View)

SPECIFICATIONS

Insulation Resistance: 100MΩ min.
Current Rating: 0.5A min.
Voltage Rating: 40V AC
Withstanding Voltage: 500V AC
Contact Resistance: 30mΩ max.
Operating Temp. Range: -25°C to +85°C

MATERIALS AND FINISH

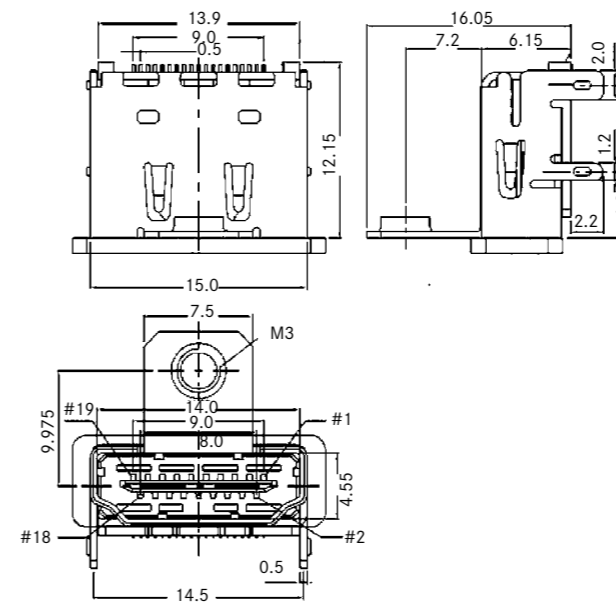
Housing: LCP, UL94V-0 rated (black)
Contacts: Brass
Shell: Phosphor Bronze
Contact Plating: Selective Au

FEATURES

- HDMI Type A
- With and without flange for additional fixing
- Different platings and feature of housing available on request
- RoHS2011/65/EU

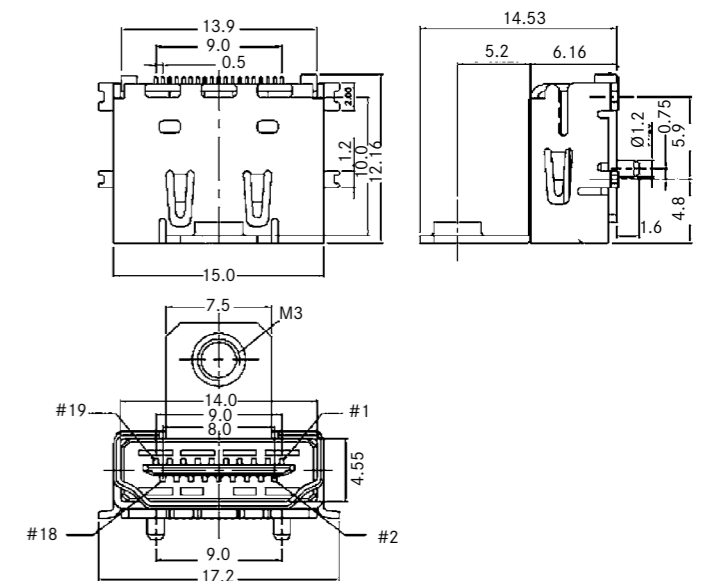
OUTLINE DIMENSIONS FOR FLANGE TYPE (SMT)

PKS019T-S9-FL-1-Tray-F



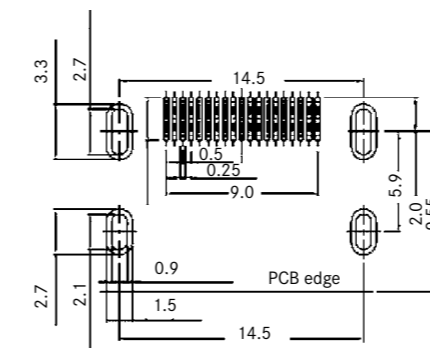
OUTLINE DIMENSIONS FOR FLANGE TYPE (TH)

PKS019T-SI-FL-2-Tray-F



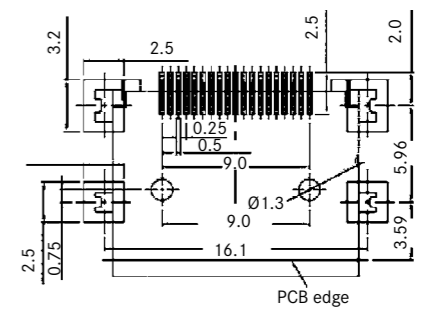
RECOMMENDED PCB LAYOUT

PKS019T-S9-FL-1-Tray-F



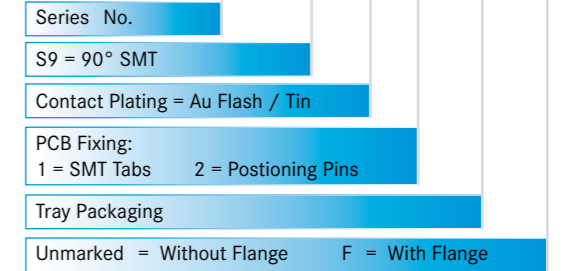
Top View

PKS019T-SI-FL-2-Tray-F



PART NUMBER

PKS019T - S9 - FL - * - TRAY - F



SPECIFICATIONS

Insulation Resistance:	100MΩ min.
Current Rating:	0.5A min.
Voltage Rating:	40V AC
Withstanding Voltage:	500V AC
Contact Resistance:	30mΩ max.
Operating Temp. Range:	-25°C to +85°C

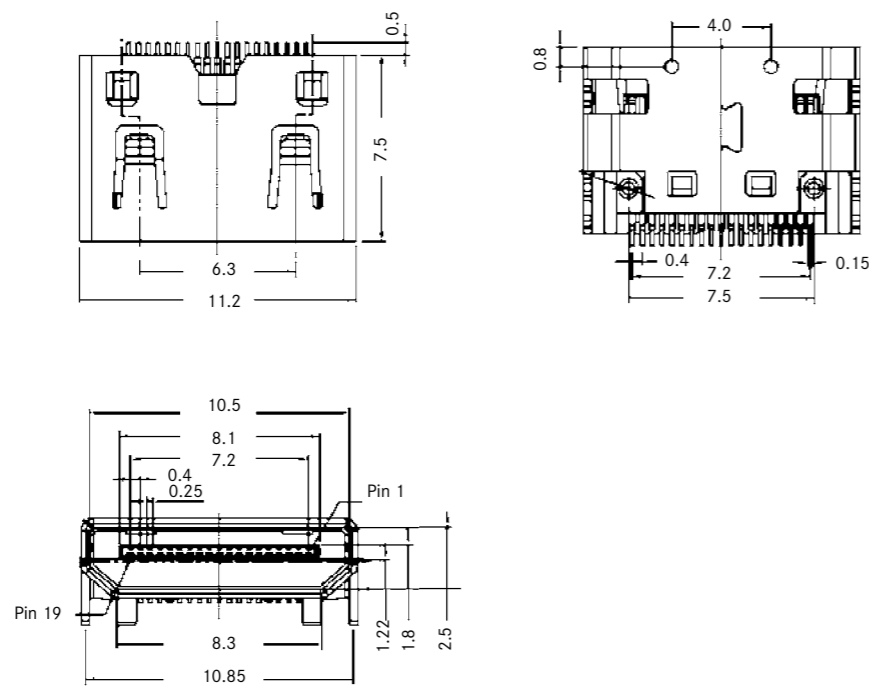
MATERIALS AND FINISH

Housing:	LCP, UL94V-0 rated (black)
Contacts:	Brass
Shell:	Phosphor Bronze
Contact Plating:	Au Platng or Selective Au

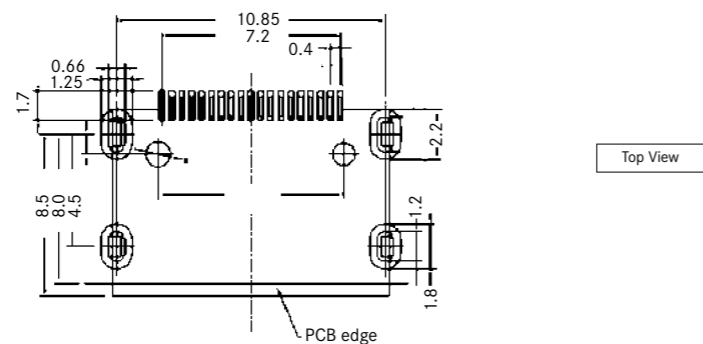
FEATURES

- Mini HDMI Type C
- Different plating versions available
- RoHS2011/65/EU

OUTLINE DIMENSIONS



RECOMMENDED PCB LAYOUT



SPECIFICATIONS

Insulation Resistance:	100MΩ min.
Current Rating:	0.3A min.
Voltage Rating:	40V AC
Withstanding Voltage:	250V AC
Contact Resistance:	20mΩ max.
Operating Temp. Range:	-20°C to +85°C
Solder Temperature:	220°C / 60 sec., 260°C peak

MATERIALS AND FINISH

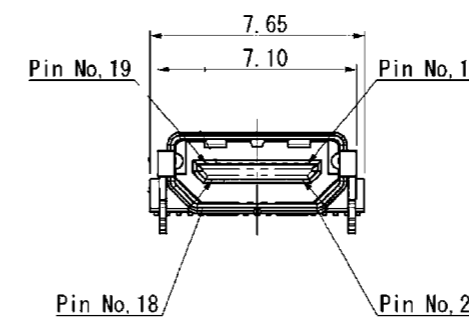
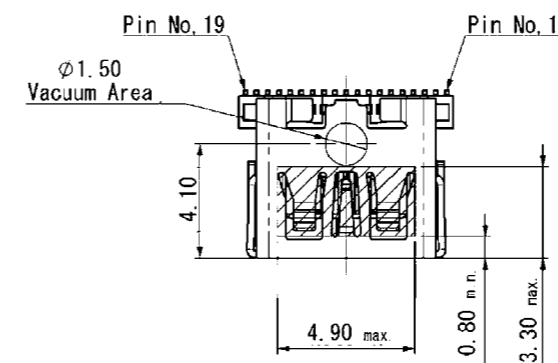
Housing:	PA9T Black
Contacts:	Copper Alloy
Shell:	Stainless Steel

FEATURES

- According to 1.4b Specification Type D
- One contact row for easy soldering
- Contacts molded to prevent them from bending
- Internal supports are guiding the plugging part and prevent the contacts from being damaged during insertion from a side force
- RoHS2011/65/EU

OUTLINE DIMENSIONS

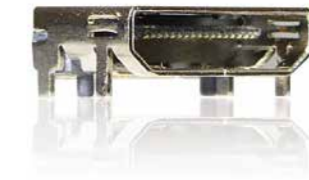
PKS0019-4010-0 View without Kapton Film



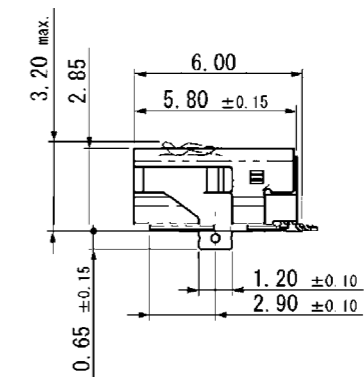
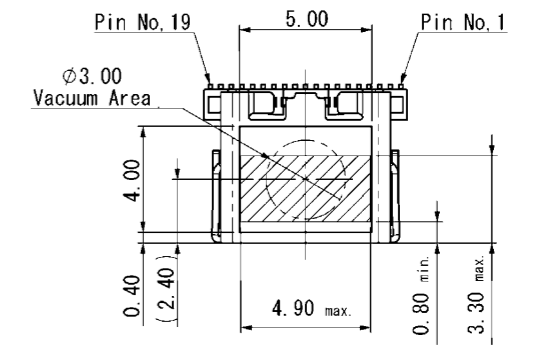
PART NUMBER

PKS019 - 40 * 0 - 0

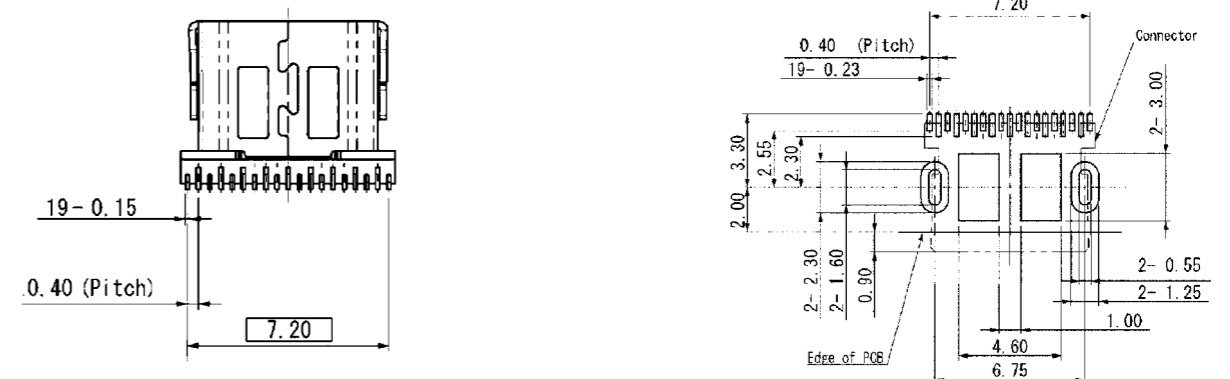
Series No.	PKS019
0 = without Kapton Film 1 = with Kapton Film	40 * 0
Design No.	0



PKS0019-4000-0 View with Kapton Film



RECOMMENDED PCB LAYOUT



SPECIFICATIONS

Insulation Resistance:	100MΩ min.
Current Rating:	0.3A min.
Voltage Rating:	40V AC
Withstanding Voltage:	250V AC
Contact Resistance:	20mΩ max.
Operating Temp. Range:	-20°C to +85°C
Solder Temperature:	220°C / 60 sec., 260°C peak

PART NUMBER

PKS019 - 40 * 1 - 0

Series No.	PKS019
Design No.	40 * 1 - 0
0 = without Kapton Film 1 = with Kapton Film	



MATERIALS AND FINISH

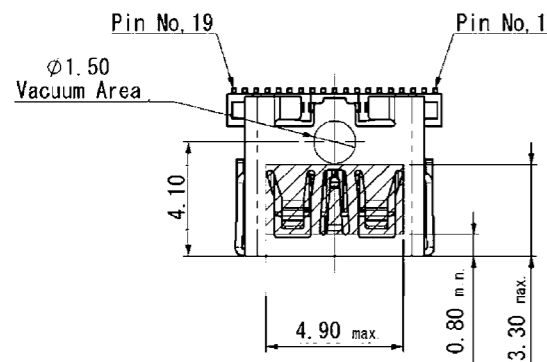
Housing:	PA9T Black
Contacts:	Copper Alloy
Shell:	Stainless Steel

FEATURES

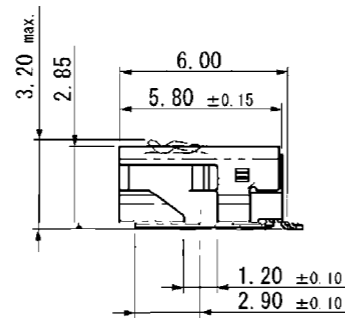
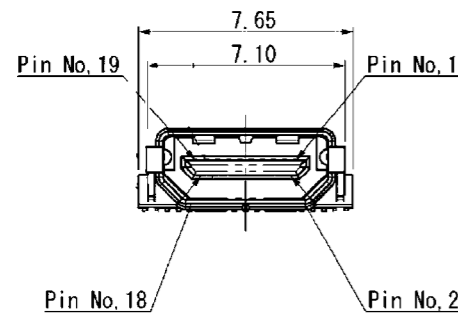
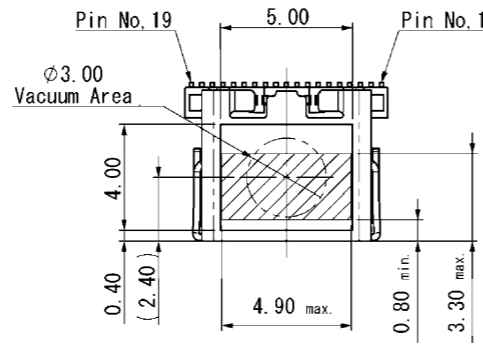
- According to 1.4b Specification Type D
- One contact row for easy soldering
- Contacts molded to prevent them from bending
- Internal supports are guiding the plugging part and prevent the contacts from being damaged during insertion from a side force
- RoHS2011/65/EU

OUTLINE DIMENSIONS

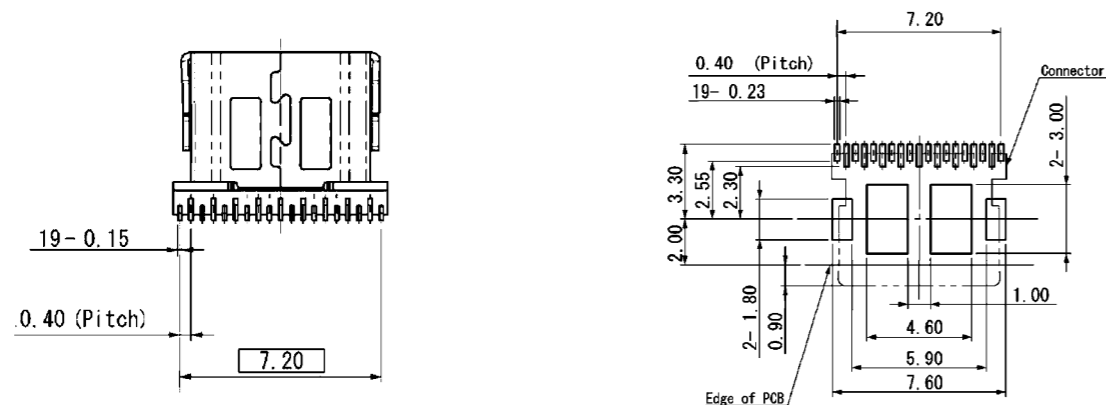
PKS0019-4011-0 View without Kapton Film



PKS0019-4011-0 View with Kapton Film



RECOMMENDED PCB LAYOUT



SPECIFICATIONS

Insulation Resistance:	100MΩ min.
Current Rating:	0.3A min.
Voltage Rating:	40V AC
Withstanding Voltage:	250V AC
Contact Resistance:	20mΩ max.
Operating Temp. Range:	-20°C to +85°C
Solder Temperature:	220°C / 60 sec., 260°C peak

PART NUMBER

PKS019 - 5000-OVE

Series No.	PKS019
Design No.	5000-OVE

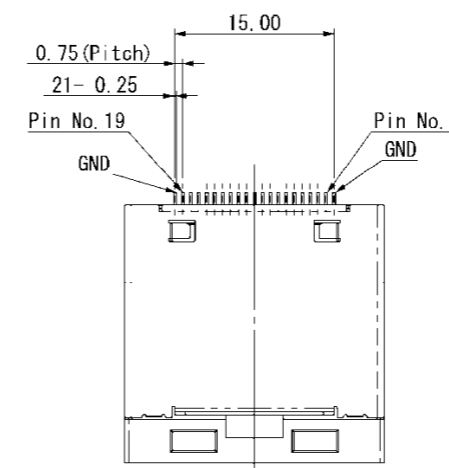
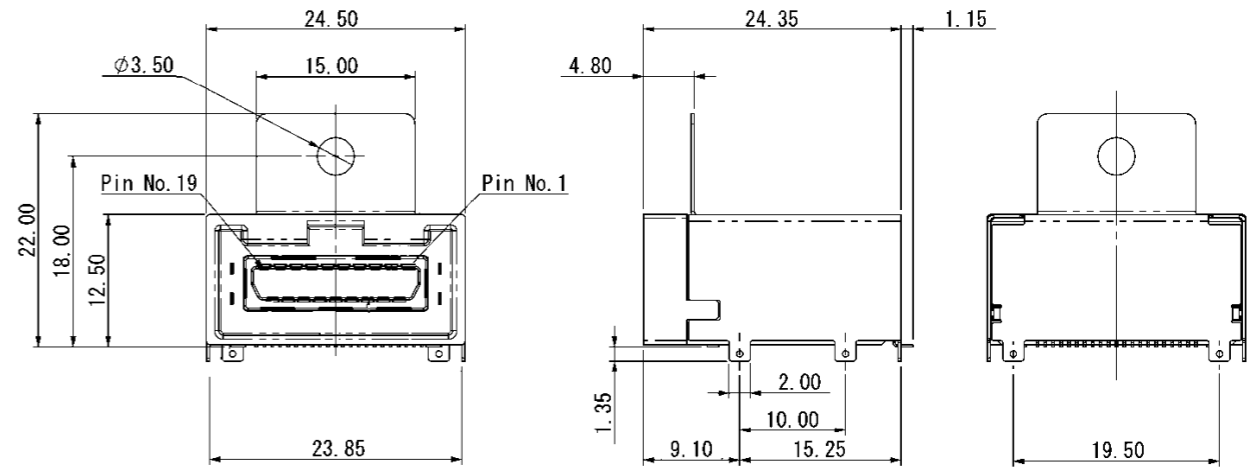
MATERIALS AND FINISH

Housing:	Heat Resistant Plastic
Contacts:	Copper Alloy
Shell:	Copper Alloy

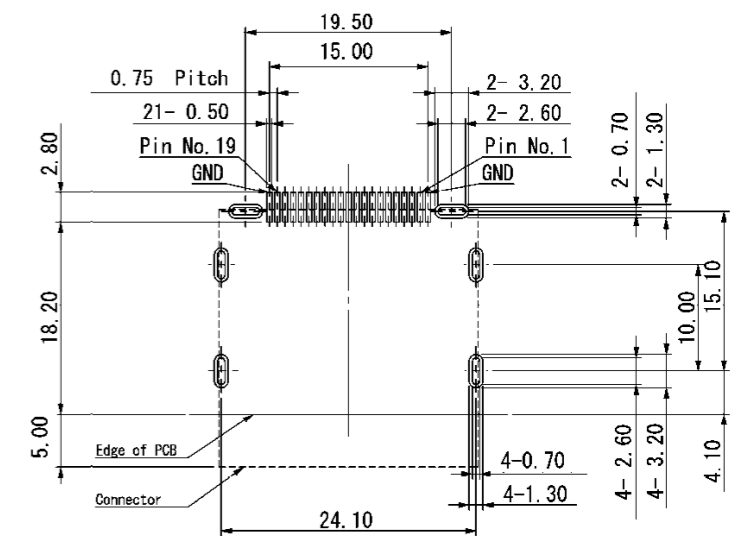
FEATURES

- According to 1.4b Specification
- Automotive type
- One contact row for easy soldering
- Four TH-Pins for robust fixation on the PCB
- RoHS2011/65/EU

OUTLINE DIMENSIONS



RECOMMENDED PCB LAYOUT



SPECIFICATIONS

Insulation Resistance:	100MΩ min.
Current Rating:	0.5A min max.
Voltage Rating:	40V AC
Withstanding Voltage:	500V AC
Contact Resistance:	30mΩ max.
Operating Temp. Range:	-20°C to +85°C
Mating Cycles:	10,000 times

MATERIALS AND FINISH

Housing:	Thermoplastic, UL94V-0
Shell:	Copper Alloy
Contact Plating:	Solder Tails area - 100μ" ~ 200μ" Tin Contact area - Au 15μ"

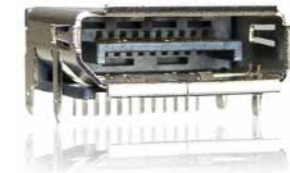
FEATURES

- Display port connector standard size
- Additional flange version on request
- RoHS2011/65/EU

PART NUMBER

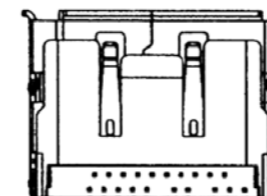
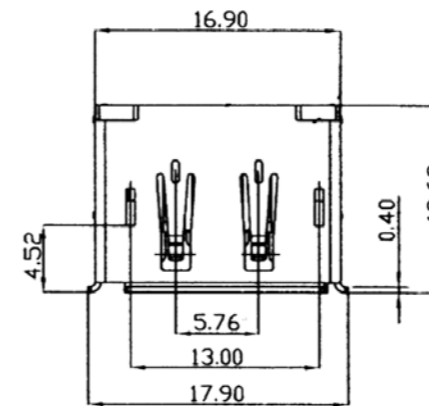
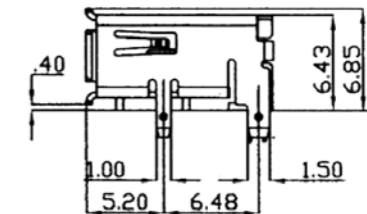
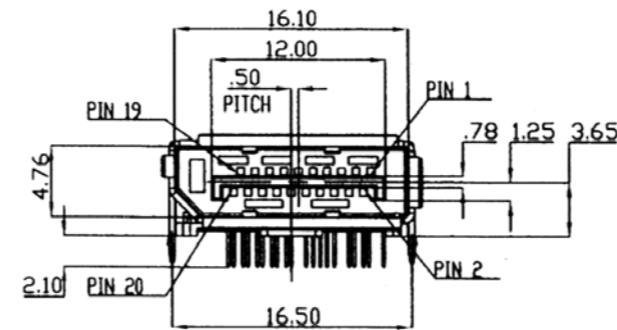
DPS - 20 - T9 - BL - TRAY

Series No.	↑
No. of Pins	↑
90° Through Hole Type	↑
BL = 15μ" Au Plating Selective	↑
Tray Packaging	↑

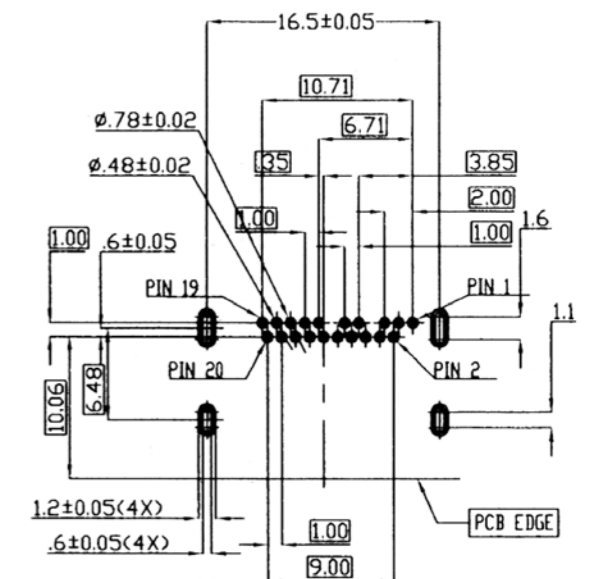


DISPLAY PORT

OUTLINE DIMENSIONS



RECOMMENDED PCB LAYOUT



SPECIFICATIONS

Insulation Resistance:	100MΩ min.
Current Rating:	0.5A min.
Voltage Rating:	40V AC max.
Withstanding Voltage:	500V AC for 1 minute
Contact Resistance:	30mΩ max.
Operating Temp. Range:	-25°C to +85°C

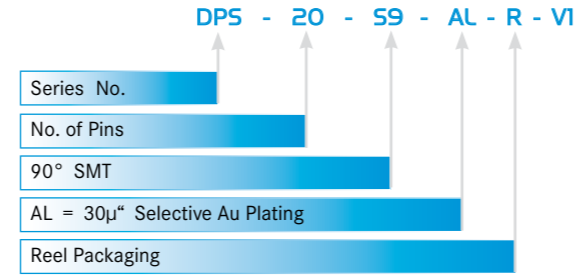
MATERIALS AND FINISH

Housing:	LCP, UL94V-0 rated (black)
Contacts:	Brass
Shell:	Brass

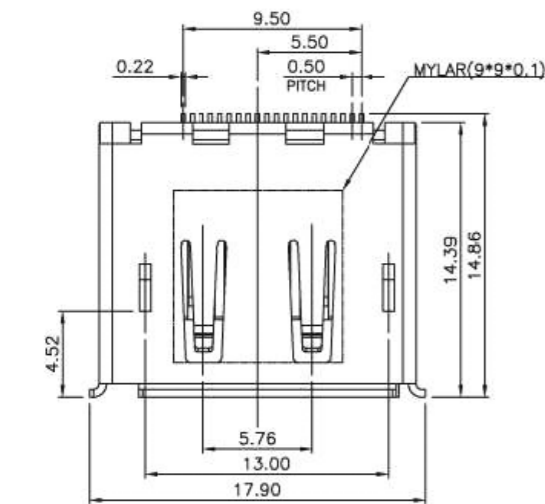
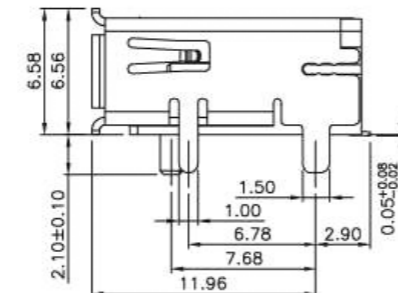
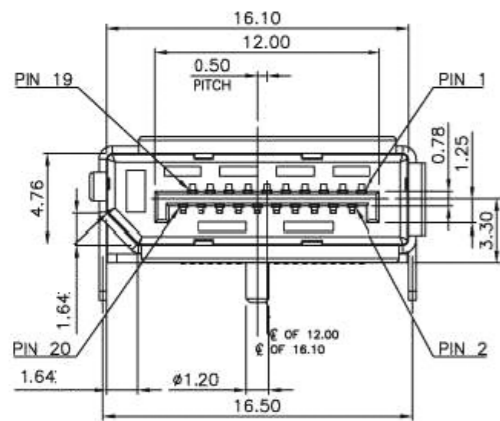
FEATURES

- Display port connector standard size
- RoHS2011/65/EU

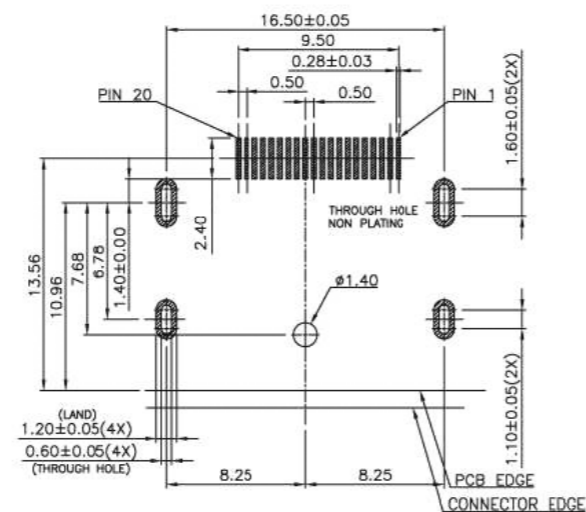
PART NUMBER



OUTLINE DIMENSIONS



RECOMMENDED PCB LAYOUT



SPECIFICATIONS

Insulation Resistance:	100MΩ min.
Current Rating:	0.5A min.
Voltage Rating:	40V AC max.
Withstanding Voltage:	500V AC for 1 minute
Contact Resistance:	30mΩ max.
Operating Temp. Range:	-25°C to +85°C

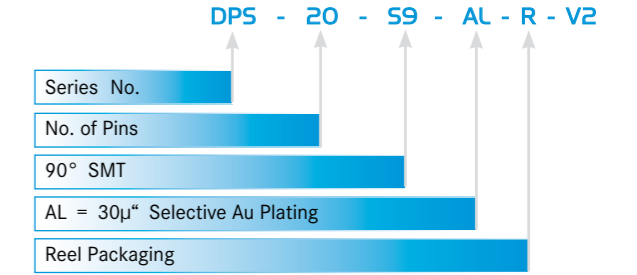
MATERIALS AND FINISH

Housing:	LCP, UL94V-0 rated (black)
Contacts:	Brass
Shell:	Brass

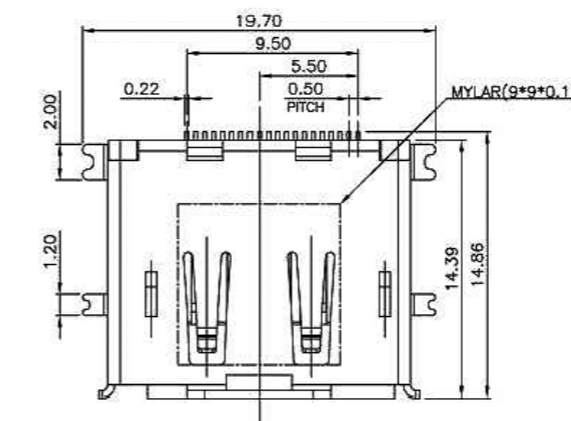
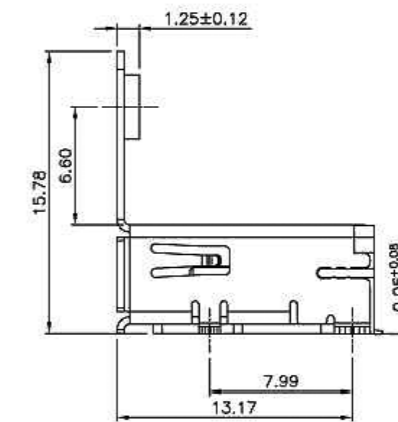
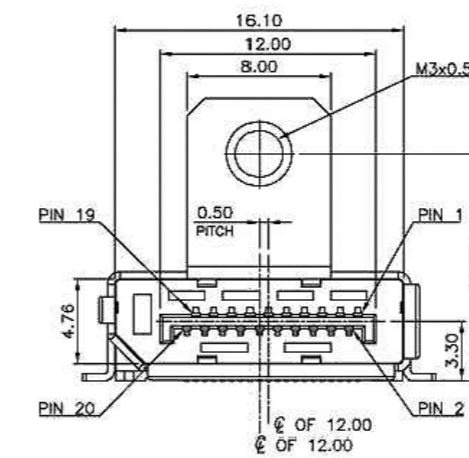
FEATURES

- Display port connector standard size
- With flange version
- RoHS2011/65/EU

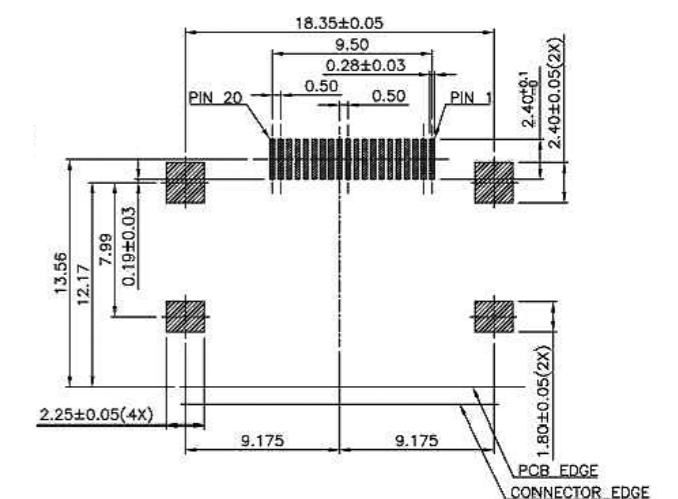
PART NUMBER



OUTLINE DIMENSIONS



RECOMMENDED PCB LAYOUT



SPECIFICATIONS

Insulation Resistance:	100MΩ min.
Current Rating:	0.5A min max.
Voltage Rating:	40V AC
Withstanding Voltage:	500V AC
Contact Resistance:	30mΩ max.
Operating Temp. Range:	-20°C to +85°C
Mating Cycles:	10,000 times

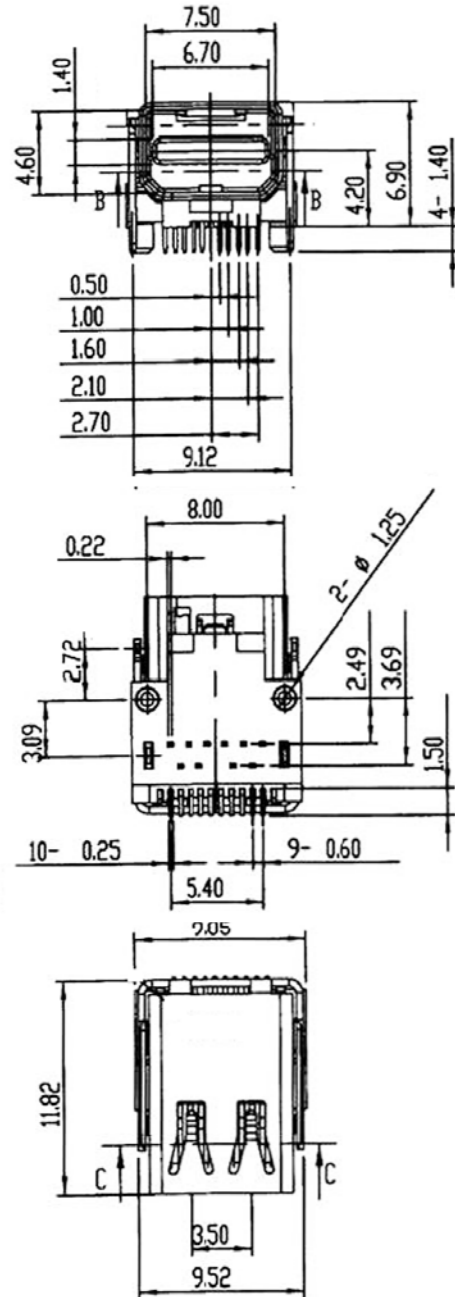
MATERIALS AND FINISH

Housing:	Thermoplastic, UL94V-0 rated
Contacts:	Copper Alloy
Shell:	Copper Alloy
Contact Plating:	Solder Tails area - 100μ" ~ 200μ" Tin Contact area - Au 30μ"

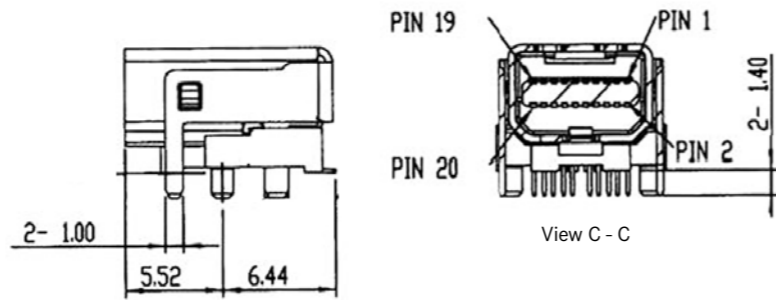
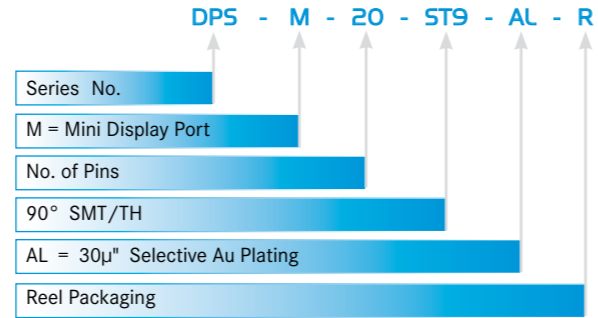
FEATURES

- Display port connector standard size
- Additional flange version on request
- RoHS2011/65/EU

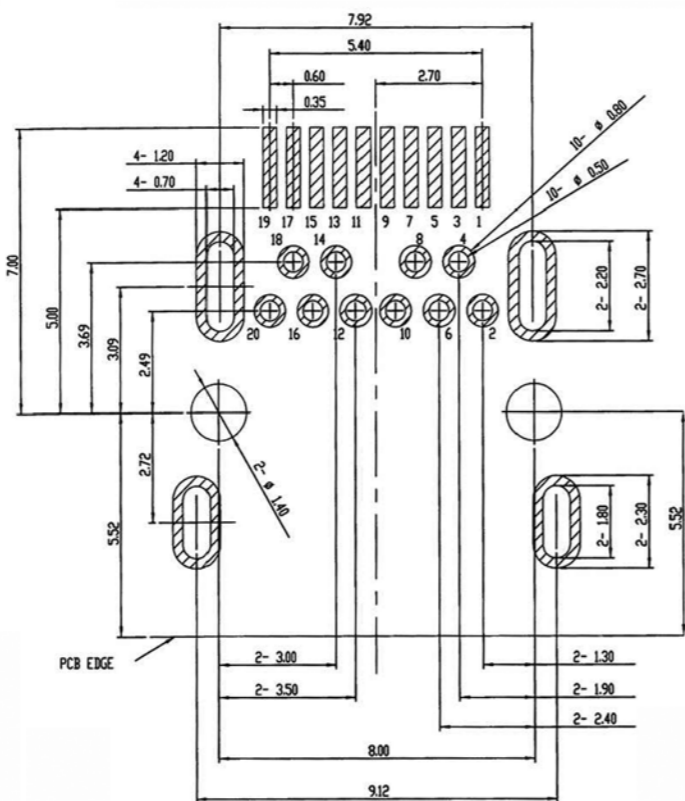
OUTLINE DIMENSIONS



PART NUMBER



RECOMMENDED PCB LAYOUT



SPECIFICATIONS (CABLE)

Insulation Resistance:	1GΩ / km
Current Rating:	3A max.
Operation Voltage:	5V
Contact Resistance:	230mΩ max.
Withstanding Voltage:	100V AC for 1 minute
Operating Temp. Range:	-25°C to +80°C
Bending Cycles:	50,000 times

MATERIALS AND FINISH (CABLE)

Insulator:	Polyurethane PUR Black
Shield:	Shield braiding of tinned copper wire (coverage approx. 85%)
Wire:	Tinned copper wire (28AWG)

FEATURE

- RoHS2011/65/EU

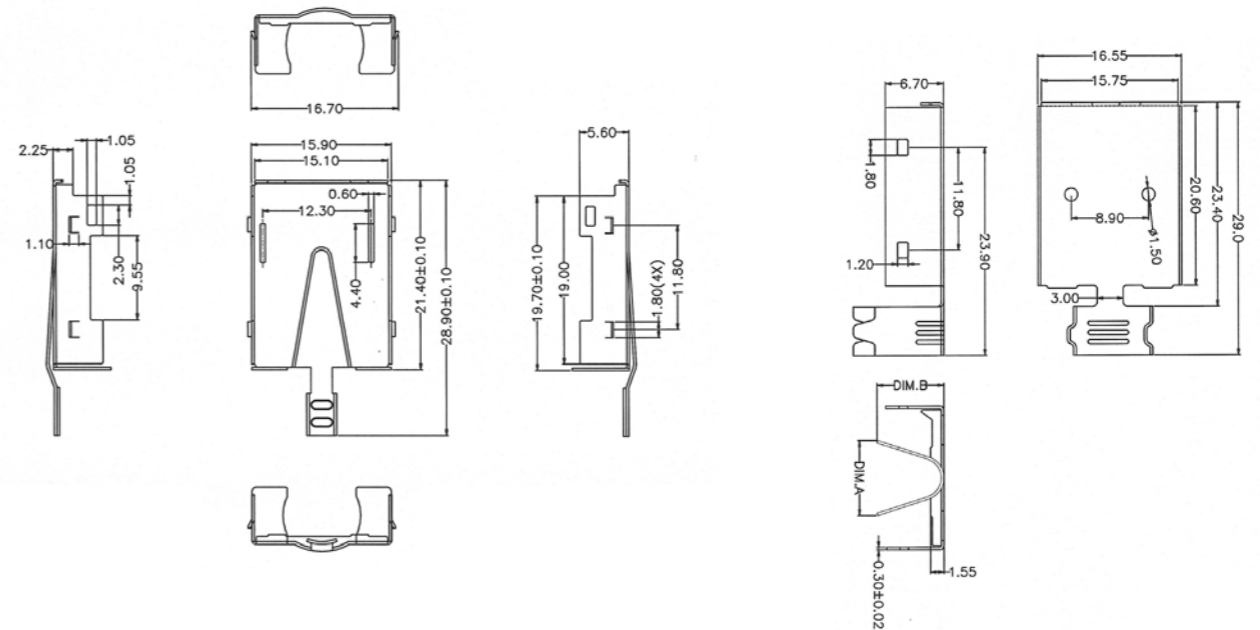
MATERIALS AND FINISH (CONNECTOR)

Insulator:	Black
Contacts:	Au 30μ" Plated
Shell:	Ni Plated

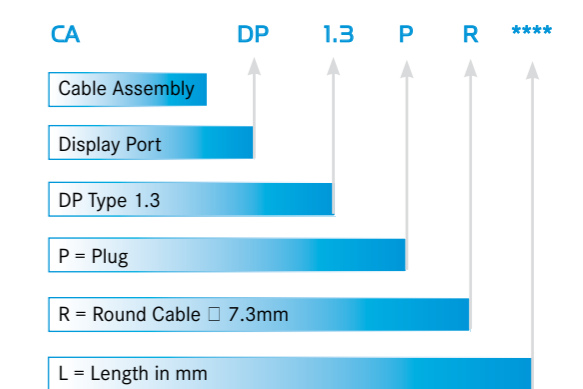
FEATURES

- Loss-free transmission of high-definition video and audio signals industrial design
- Materials and bending cycles for long product life
- Reliable data transmission up to 15m cable length
- Locking with engagement hooks
- RoHS2011/65/EU

OUTLINE DIMENSIONS (CONNECTOR)



PART NUMBER* (CABLE ASSEMBLY)



* Cable Assembly Part Number is the same for side 1 and or for side 2

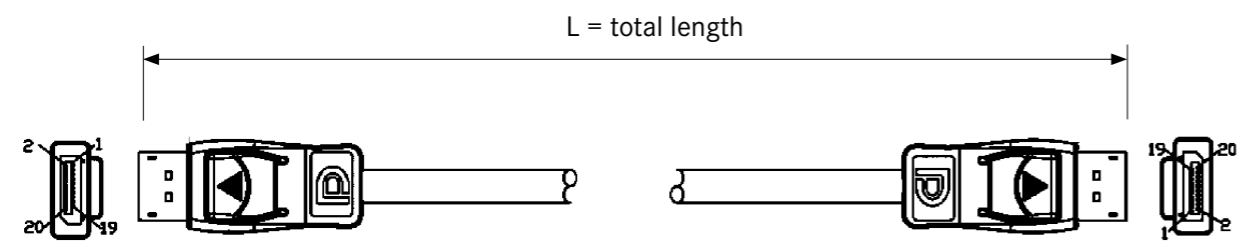


MATERIALS AND FINISH

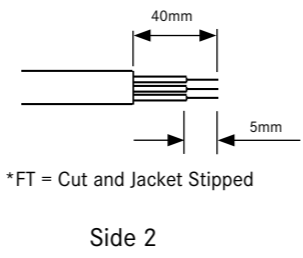
Connector: Display Port 20 Pin Male
 Cable: UL20276
 Shell: Ni
 Contact: Au 30µ"

FEATURE

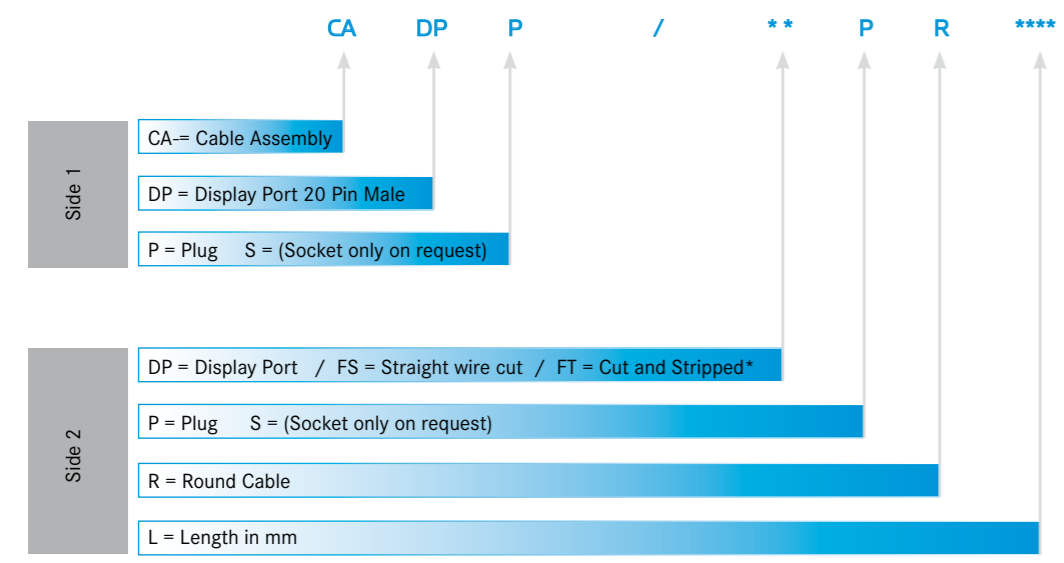
- RoHS2011/65/EU



Quantity	L = Length in mm
6,000	500
3,000	1,000
1,500	2,000
MOQ. = 3,000mm row cable	



PART NUMBER



**THE SERIES – DESIGNED AND MADE IN GERMANY
 DIE SERIE – ENTWICKELT UND PRODUZIERT IN DEUTSCHLAND**

With the Y-Circ P series Yamaichi Electronics offers an improved push-pull circular connector series. The series is designed, qualified and produced in Germany, which means fast reaction to the needs of our European customers. The high grade of vertical range of manufacturing ensures highest quality and short delivery times.

Yamaichi Electronics bietet mit der Y-Circ P Serie einen optimierten Rundsteckverbinder an, der sowohl in Deutschland entwickelt als auch qualifiziert und produziert wird. Somit antworten wir schnell auf die Wünsche unserer europäischen Kunden. Die hohe Fertigungstiefe gewährleistet höchste Produktqualität und kurze Lieferzeiten.

The product portfolio includes also various matching accessories and cable assemblies for the Y-Circ series. We offer standard and customer specific products.

Das Produktportfolio beinhaltet passendes Zubehör sowie Kabelassemblierungen für die Y-Circ P Serie. Wir bieten Standardvarianten und kundenspezifische Lösungen an.

**PUSH-PULL LOCKING MECHANISM – SAFE AND RELIABLE
 PUSH-PULL VERRIEGELUNGSMECHANISMUS – SICHER UND ZUVERLÄSSIG**

The push-pull locking system is a very safe and reliable locking mechanism. The connection is fastened reliably even under harsh conditions. It can be mated and unmated without screws or tools and even in very limited space.

Der Push-Pull Verriegelungsmechanismus ist äußerst sicher und zuverlässig. Auch unter extremsten Umgebungsbedingungen ist eine zuverlässige Verbindung garantiert. Die Verbindung kann ohne Schrauben oder andere Werkzeuge, auch bei wenig Platz, gut gesteckt und gelöst werden.

Open Position
 The connector locks automatically when the plug is pushed into the socket.

Offene Position
 Durch Einführen des Steckers in die Buchse verriegelt der Steckverbinder automatisch.

Locked Position
 The locked connector cannot be released by pulling on the cable.

Verriegelte Position
 Der verriegelte Steckverbinder kann durch Ziehen am Kabel nicht entriegelt werden.

Releasing the Connector
 By pulling back the plug enclosure the latches are pulled back and the connector releases.

Steckverbinder wird gelöst
 Durch Zurückziehen des Steckergehäuses werden die Krallen zurückgezogen und der Steckverbinder wird gelöst.

For more information about our Circular Push-Pull Connector Series Y-Circ P please download our catalogue from our homepage.
<https://www.yamaichi.de/downloads/product-catalogues.html>



SHORTER AND LESS WEIGHT THAN OTHER CONNECTORS ON THE MARKET
KÜRZER UND LEICHTER ALS ANDERE STECKERVERBINDER AUF DEM MARKT

The Y-Circ P connectors are shorter than competing connectors - depending on the connector type and size - up to 20%. This saves space for customer applications and reduces material, weight and processing costs. The internal assembly space stays the same size to ensure quick and easy assembly of the connector.

Der Y-Circ P ist kürzer als vergleichbare Steckverbinder - abhängig von Steckverbindertyp und Größe bis zu 20%. Das spart Platz in der Kundenanwendung sowie Material, Gewicht und Herstellungskosten. Der Platz für die Assemblierung des Steckverbinders bleibt aber trotz seiner geringeren Außenabmessungen gleich groß. Eine einfache und schnelle Konfektion ist somit gewährleistet.

In addition the wall mounted sockets have equal lengths which makes them easier to integrate in a housing on the same PCB - no height compensation is necessary.

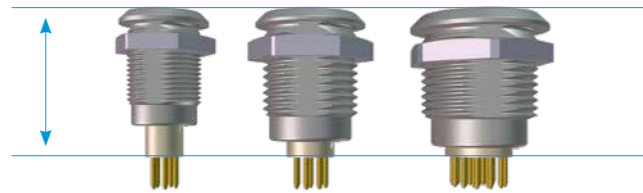
Zusätzlich haben die Gerätedosen ähnliche Längen, was die Integration in ein Gehäuse auf derselben PCB erleichtert - es ist keine Höhenkompensation notwendig.

Market Standard
 Marktstandard



Up to 20% shorter
 Bis zu 20% kürzer

Y-Circ P



All wall mounted sockets have the same height
 Alle Gerätedosen haben dieselbe Höhe

EASY ASSEMBLY – NEW HALF SHELL DESIGN
EINFACHE UND SICHERE MONTAGE – NEUES HALBSCHALEN DESIGN

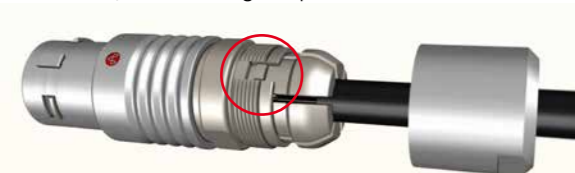
The same half shell design is used for different Y-Circ P connector types. This makes assembly of the connectors faster, more convenient and more reliable. This is an important advantage compared to mateable connectors from other manufacturers. Fewer components means a cost advantage. Plug and socket insulator can also be used in both housing types and are therefore interchangeable. Protection against turning of the insulator in the housing is still guaranteed.

Für alle angebotenen Y-Circ P Versionen wird das gleiche Halbschalen Design verwendet. Dies macht die Montage der Steckverbinder schneller, einfacher und zuverlässiger. Dies ist ein wichtiger Vorteil im Vergleich zu Steckverbindern anderer Hersteller. Durch die geringere Anzahl an Komponenten kann zudem eine Kostenersparnis erzielt werden. Außerdem kann der Isolator im Gehäuse von Stecker und Buchse verwendet werden und ist somit austauschbar. Der Verdrehschutz des Isolators im Gehäuse ist dennoch gewährleistet.

OPTIMISED COLLECT – HALF-SHELL SYSTEM
OPTIMIERTES SPANNZANGEN – HALBSCHALEN-SYSTEM

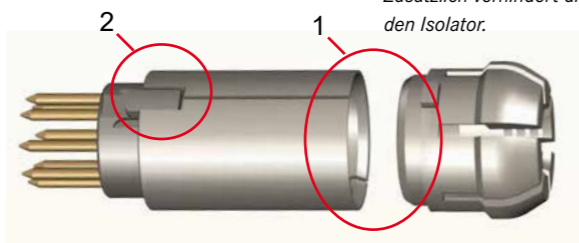
The collet cannot turn because the nob at the collet is locked in the slot of the connector. This ensures that no torsion can be applied on the insulator, even at too high torque.

Die Spannzange kann sich nicht drehen, weil deren Nase sich in der Nut am Gehäuse fixiert. Dies stellt sicher, dass keine Drehkraft auf den Isolator ausgeübt werden kann, sogar wenn der Stecker mit einem zu großen Drehmoment geschlossen wird.



The collet is not connected to the half shell (1). The alignment nose for coding between insulator and housing is directly at the insulator (2). This design has less tolerances than an alignment via the half shells and offers a more precise positioning of insulators respectively contacts towards the housing. In addition this feature also prevents torsion on the insulator.

Die Spannzange ist nicht mit den Halbschalen verbunden (1). Die Orientierungsnase zur Codierung zwischen Isolator und Gehäuse ist direkt am Isolator angebracht (2). Dieses Design hat weniger Toleranzen als die Orientierung über die Halbschalen und erlaubt somit eine genauere Positionierung des Isolators bzw. der Kontakte zum Gehäuse. Zusätzlich verhindert dieses Feature ebenfalls jegliche Drehkraft auf den Isolator.



THE SERIES - DESIGNED AND MADE IN GERMANY
DIE SERIE - ENTWICKELT UND PRODUZIERT IN DEUTSCHLAND

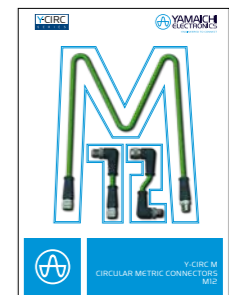
With the Y-Circ M series Yamaichi Electronics offers a circular connector designed, qualified and produced in Germany, which means fast reaction to the needs of our European customers. The high grade of vertical range of manufacturing ensures highest product quality, flexibility and short delivery times. Optional parts can be added to the connector depending on customer requirements, e.g. 360° shielding and vibration protection. This ensures best price performance ratio.

Yamaichi Electronics bietet mit der Y-Circ M Serie einen Rundsteckverbinder an, der in Deutschland entwickelt, qualifiziert und produziert wird. Dies ermöglicht eine kurze Reaktionszeit auf die Anforderung unsere europäischen Kunden. Die hohe Fertigungstiefe gewährleistet höchste Produktqualität, -flexibilität und kurze Lieferzeiten. Je nach Kundenwunsch können optionale Teile, wie eine 360° Schirmung und ein Rüttelschutz, hinzugefügt werden. Dadurch wird das beste Preis-Leistungs-Verhältnis gewährleistet.

Configurations / Konfigurationen

Feature Combinations Merkmale	Options Optionen
360° Shielding + vibration protection 360° Schirmung + Rüttelschutz	
360° Shielding 360° Schirmung	
Vibration protection Rüttelschutz	
No additional features Keine zusätzlichen Funktionen	

For more information about our Circular Metric Connector Series Y-Circ M please download our catalogue from our homepage.
<https://www.yamaichi.de/downloads/product-catalogues.html>



SPECIFICATIONS

Insulation Resistance: 500MΩ min. at 500V DC
 Withstanding Voltage: 500V ACrms for 1 minute
 Contact Resistance: 35mΩ max. at 10mA
 Current Rating: 0.5A
 Operating Temp. Range: -55°C to +85°C

MATERIALS AND FINISH

Housing: PBT UL94V-0 rated
 Contacts: Copper Alloy
 Plating: Mating Face - Au over Ni
 IDC Terminals - Flash Au over Ni

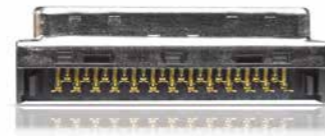
FEATURES

- 1.27mm pitch interface connectors with bellows type contacts
- RoHS2011/65/EU

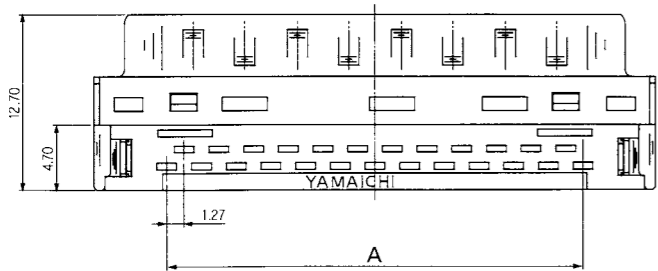
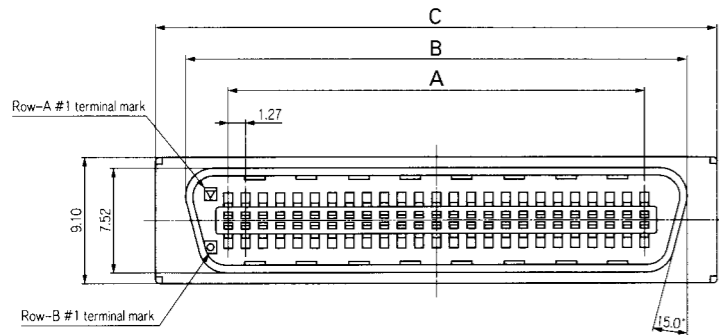
PART NUMBER

NCP 050 - 0 * 0 - BF

Series (plug)	NCP
No. of Leads	050
2 = IDC for Flat Cable (36 and 50 leads only)	0
3 = IDC for Discrete Wire	*
Connection Type: 0 = IDC	0
Contact Plating: B = Mating Face Contacts - Au (0.3μm min.) over Ni F = IDC Terminals - Flash Au over Ni	BF



OUTLINE PLUG DIMENSIONS

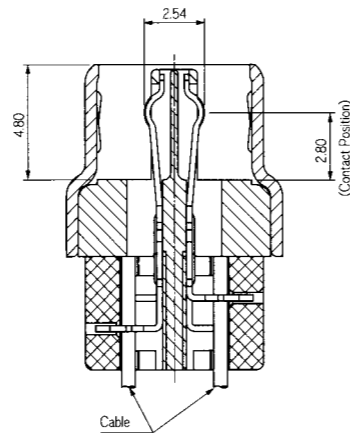


APPLICABLE CABLES

NCPO*-020-BF: 1.27mm pitch flat cable.
 Stranded wire AWG 28 (7/0.127),
 cable outer diameter 0.8 to 1.1mm

NCPO*-030-BF: Discrete wire.
 Stranded wire: AWG 28 (7/0.127),
 insulation outer diameter 0.8 to 1.1mm

CONTACT DETAILS



Part Number	No. of Leads	A	B	C
NCP036-020-BF	36	21.59	27.80	32.20
NCP036-030-BF	36	21.59	27.80	32.20
NCP050-020-BF	50	30.48	36.60	41.10
NCP050-030-BF	50	30.48	36.60	41.10

SPECIFICATIONS

Insulation Resistance: 500MΩ min. at 500V DC
 Withstanding Voltage: 500V ACrms for 1 minute
 Contact Resistance: 35mΩ max. at 10mA
 Current Rating: 0.5A
 Operating Temp. Range: -55°C to +85°C
 Soldering Temp.: 260°C / 5 sec.

MATERIALS AND FINISH

Housing: PBT UL94V-0 rated
 Contacts: Copper Alloy
 Plating: Mating Face - Au over Ni
 Solder Terminals - Flash Au over Ni

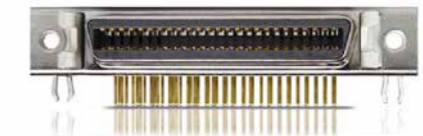
FEATURES

- 1.27mm pitch interface connectors with bellows type contacts
- Bellows type contacts ensure low insertion and extracting forces, contact protection from deformation and contact stability
- RoHS2011/65/EU

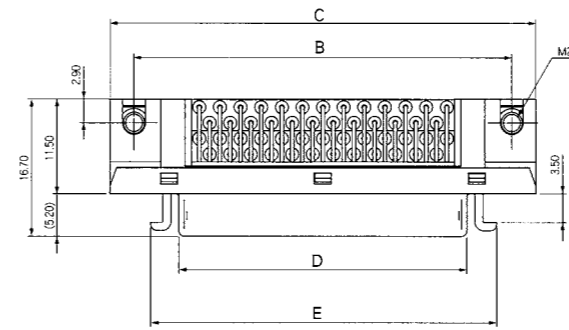
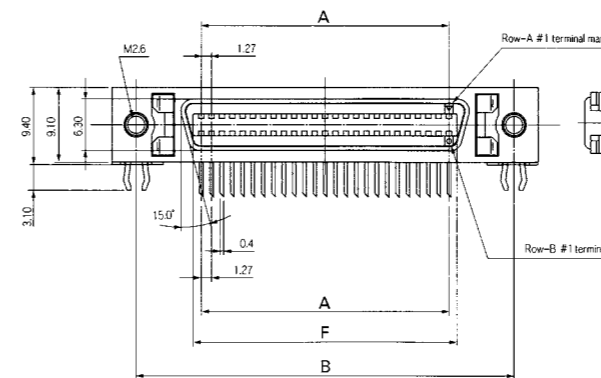
PART NUMBER

NCS 050Z - 0 2 2 - D F (01)

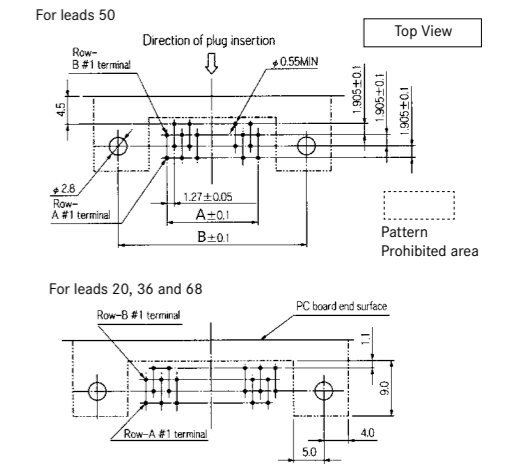
Series (socket)	NCS
No. of Leads	050Z
PCB Lock Type: 2 = Hook Lock	0
Terminal Type: 2 = 90° Solder Dip	2
Mating Face Contact Plating: D = Au (0.2μm min.) over Ni	DF
Solder Terminal Plating: F = Flash Au over Ni	(01)



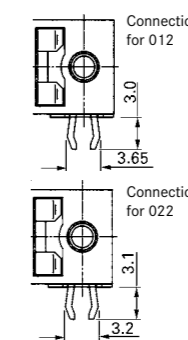
OUTLINE SOCKET DIMENSIONS



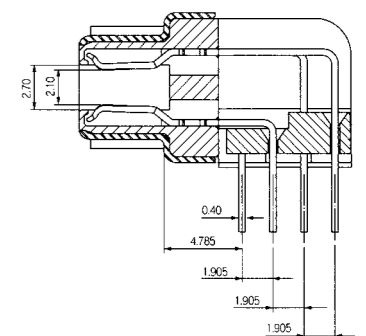
RECOMMENDED PCB LAYOUT



PCB-LOCKING Details



CONTACT DETAILS



Part Number	No. of Leads	A	B	C	D	E	F	G
NCS020Z-022-DF (01)	20	11.43	27.45	33.35	16.43	23.35	13.43	20.76
NCS036Z-022-DF (01)	36	21.59	37.61	43.51	26.59	33.51	23.59	27.11
NCS050Z-022-DF (01)	50	30.48	46.50	52.40	35.48	42.40	32.48	36.00

SPECIFICATIONS

Insulation Resistance: 500MΩ min. at 500 V DC
 Withstanding Voltage: 500V ACrms for 1 minute
 Contact Resistance: 35mΩ max. at 10mA
 Current Rating: 0.5A
 Operating Temp. Range: -55°C to +85°C
 Soldering Temp.: 260°C / 5 sec.

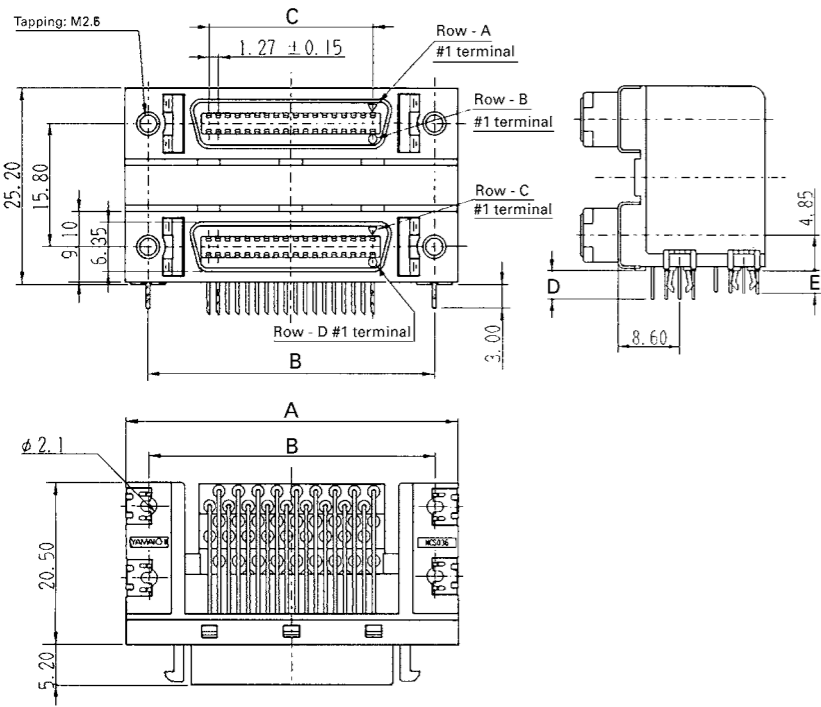
MATERIALS AND FINISH

Housing: PBT UL94V-0 rated
 Contacts: Copper Alloy
 Plating: Mating Face - Au over Ni
 Solder Terminals - Flash Au over Ni

FEATURES

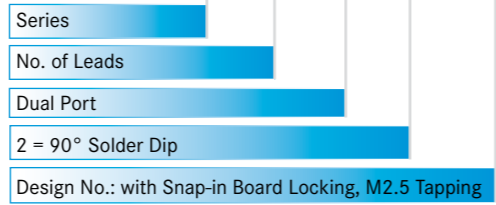
- 1.27mm pitch interface connector with bellows type contacts
- Bellows type contacts ensure low insertion and extracting forces, contact protection from deformation and contact stability
- RoHS2011/65/EU

OUTLINE SOCKET DIMENSIONS

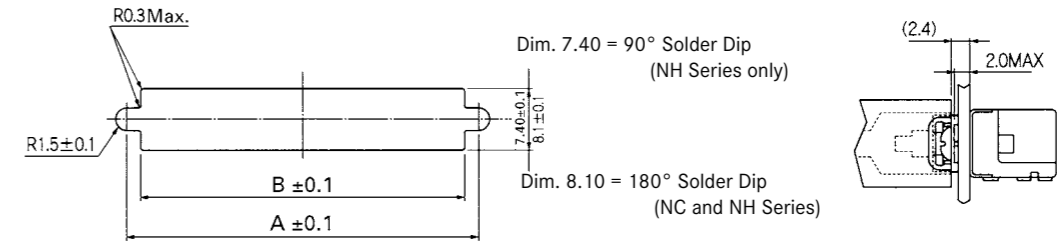


PART NUMBER

NCS 036 - D 002 K13289



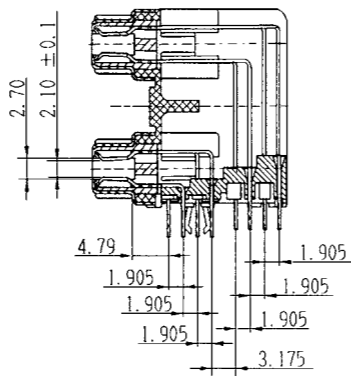
90° / 180° SOLDER DIP TYPES FOR SCSI-2 (NH SERIES) AND MINI DELTA RIBBON (NC SERIES)



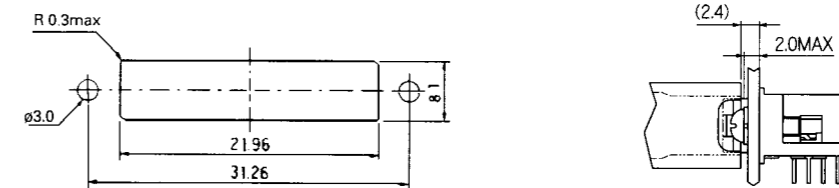
No. of Leads	A	B
20	27.45	23.75
26	31.26	27.56
36	37.61	33.91
50	46.50	42.80
68	57.93	54.23

Information:
 Maximum panel thickness of 2.0mm must not be exceeded when using washers

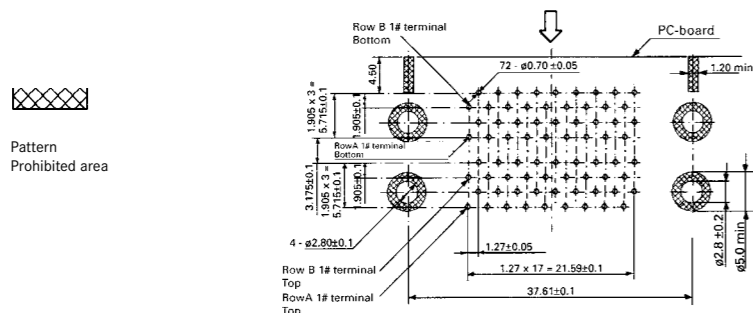
CONTACT DETAILS



FOR SCSI-3 (NH SERIES)



RECOMMENDED PCB LAYOUT



Part Number	No. of Leads	A	B	C	D	E
NCS036-D002-K13289	2 x 36	43.51	37.61	21.59	3.40	2.60

SERIES NC COVERS CROSS-REFERENCE

Series	Connector	Hood Type
Mini Delta Ribbon	NCP036-0*0-BF	NHA036-MC02
	NCP050-0*0-BF	NCP050-0*0-BF

COMMON CONNECTOR COVER

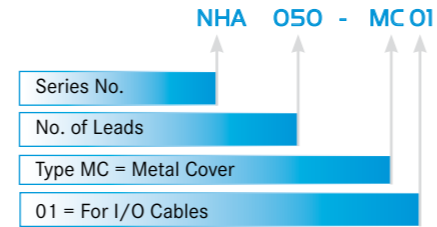
MATERIALS AND FINISH

Metal Parts: ZDC, Ni Plated

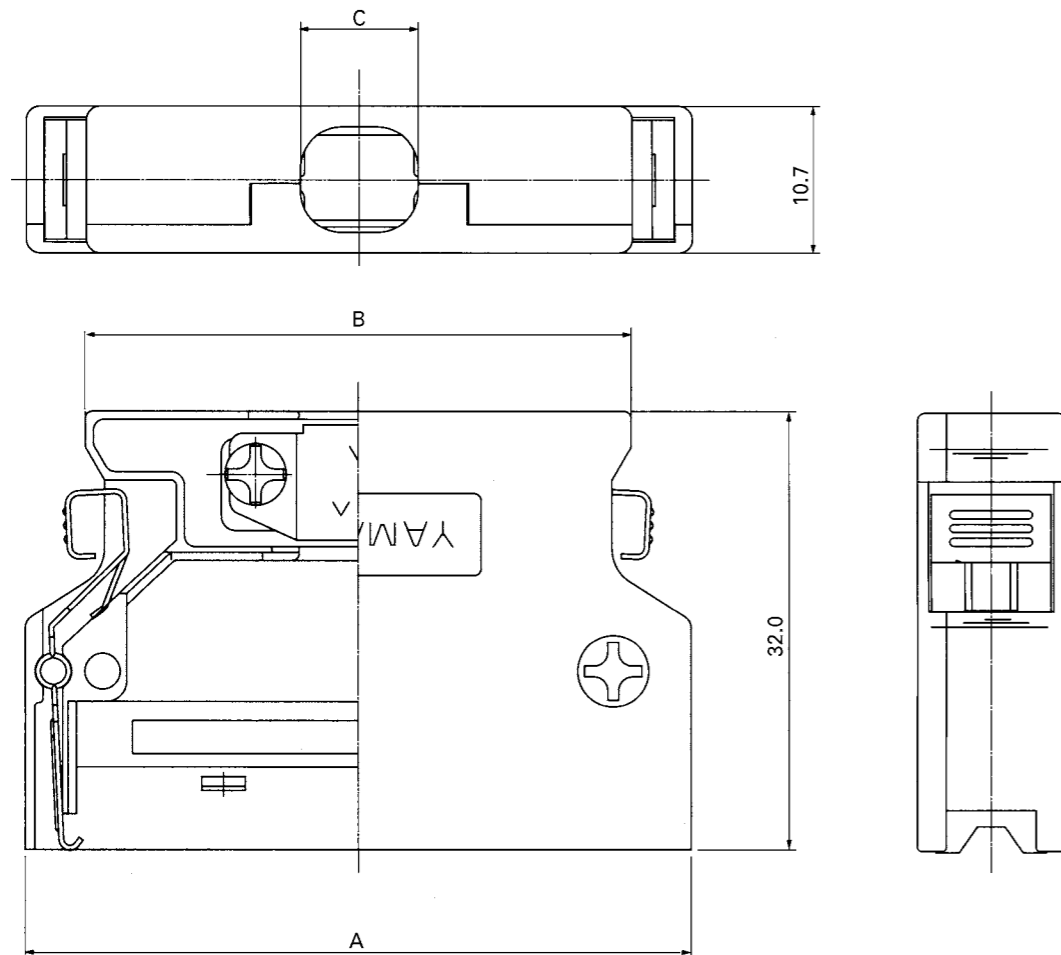
FEATURES

- Metal cover for EMI protection
- RoHS2011/65/EU

PART NUMBER



OUTLINE DIMENSIONS



Part Number	No. of Leads	A	B	C	Cable Outer Dia.
NHA050-MC01	50	48.7	40.0	8.6	φ7.6 ~ φ8.6

COMMON CONNECTOR COVER

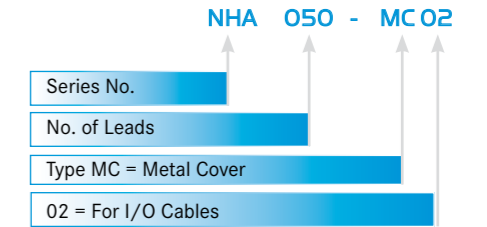
MATERIALS AND FINISH

Metal Parts: ZDC, Ni Plated

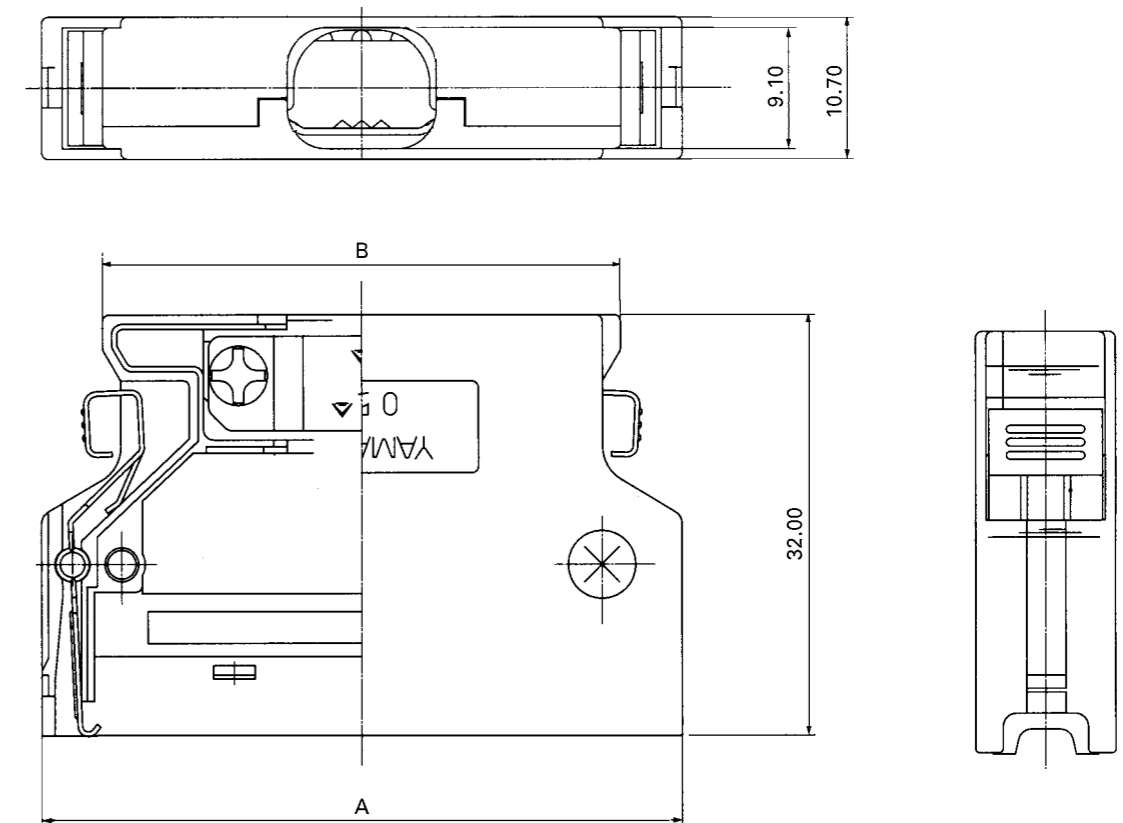
FEATURES

- Metal cover for EMI protection
- RoHS2011/65/EU

PART NUMBER



OUTLINE DIMENSIONS



Part Number	No. of Leads	A	B	Cable Outer Dia.
NHA036-MC02	36	39.85	31.05	φ7.6 ~ φ8.6
NHA050-MC02	50	49.34	39.94	φ9.5 ~ φ10.5

SPECIFICATIONS

Insulation Resistance: 1,000MΩ min. at 500V DC
 Dielectric Strength: 1,000V AC min. for 1 minute
 Voltage Rating: 300V DC
 Withstanding Voltage: 500V AC for 1 minute
 Contact Resistance: 13mΩ max.
 Current Rating: 1.5A
 Operating Temp. Range: -55°C to +105°C
 Soldering Temp.: 220°C / 60 sec., 250°C peak

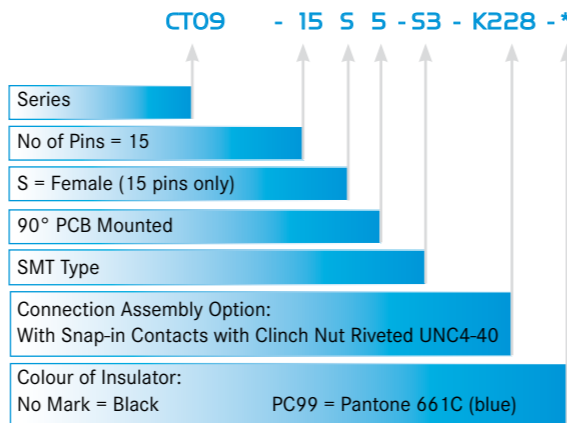
MATERIALS AND FINISH

Insulator: Nylon 6T UL94V-0
 Contacts: Phosphor Bronze
 Plating: Mating Area = Au Flash over Ni
 Solder Area = Sn over Ni
 Snap-in: Brass, Ni or Sn plated
 Clinch Nut: Brass, Ni plated
 Shell: Steel, Sn, Zn or Ni plated

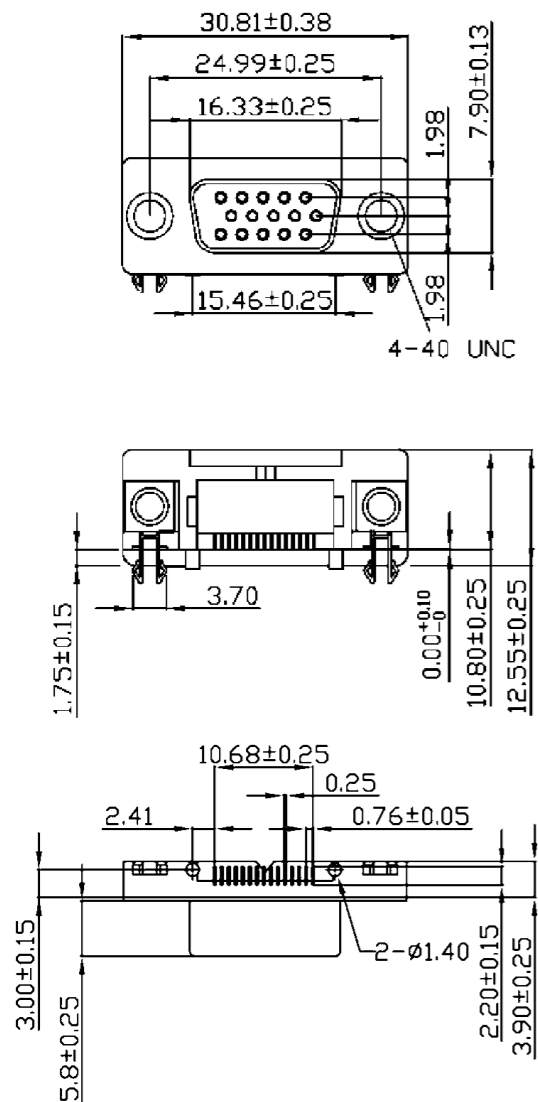
FEATURES

- Low profile, total depth of only 3.9mm
- Coloured insulator acc. to PC99 standard available
- RoHS2011/65/EU

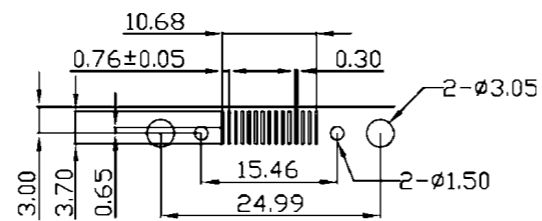
PART NUMBER



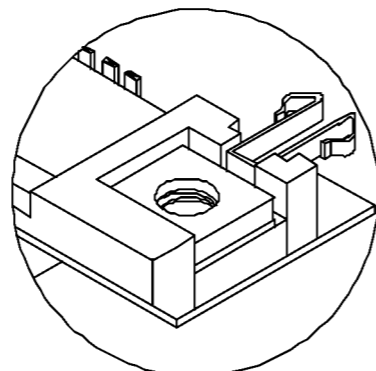
OUTLINE CONNECTOR DIMENSIONS (FEMALE, 15 PINS ONLY)



RECOMMENDED PCB LAYOUTS



SNAP-IN CONTACT DETAIL



INFO.: The design of this connector basically refer to DIN 41652

SPECIFICATIONS

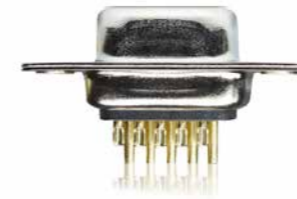
Insulation Resistance: 5,000MΩ min.
 Withstanding Voltage: 1,000 V AC
 Contact Resistance: 10mΩ max.
 Current Rating: 5A
 Operating Temp. Range: -55°C to +105°C

MATERIALS AND FINISH

Insulator: Polyester Resin and (UL94V-0)
 Contacts: Copper Alloy
 Plating: Au over Ni

FEATURES

- Stamped contacts
- Full Au plating
- RoHS2011/65/EU

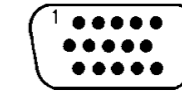


PART NUMBERS

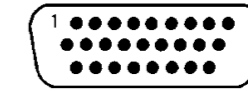
14 Contacts **PART NO. CT09-15PK211**



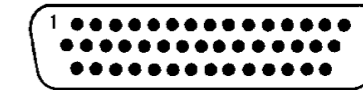
15 Contacts **PART NO. CT09-15P**



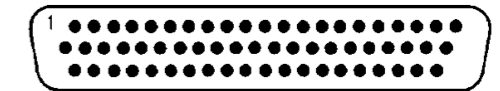
26 Contacts **PART NO. CT15-26P**



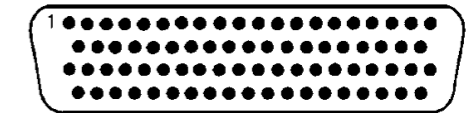
44 Contacts **PART NO. CT25-44P**



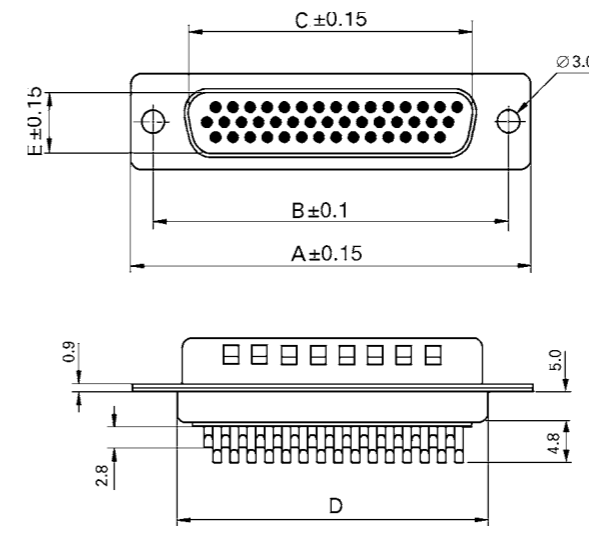
62 Contacts **PART NO. CT37-62P**



78 Contacts **PART NO. CT50-78P**



OUTLINE CONNECTOR DIMENSIONS



INFO.: The design of these connectors basically refer to DIN 41652

Part Number	No. of Contacts	A	B	C	D	E	F	G
CT09-15PK211	14	30.80	25.00	17.70	19.30	9.60	12.50	10.70
CT09-15P	15	30.80	25.00	17.70	19.30	9.60	12.50	10.70
CT15-26P	26	39.10	33.30	26.00	27.50	9.60	12.50	10.70
CT25-44P	44	53.00	47.00	40.20	41.30	9.60	12.50	10.70
CT37-62P	62	69.30	63.50	56.70	57.70	9.60	12.50	10.70
CT50-78P	78	66.90	61.10	54.00	55.30	13.30	15.40	13.60

SPECIFICATIONS

Insulation Resistance: 5,000MΩ min.
 Withstanding Voltage: 1,000V AC
 Contact Resistance: 10mΩ max.
 Current Rating: 5A
 Operating Temp. Range: -55°C to +105°C

MATERIALS AND FINISH

Insulator: Polyester Resin (UL94V-0)
 Contacts: Copper Alloy
 Plating: Au over Ni

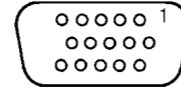
FEATURES

- Stamped contacts
- Full Au plating
- RoHS2011/65/EU

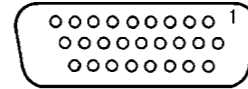


PART NUMBERS

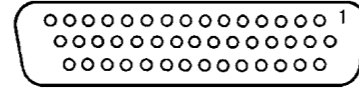
15 Contacts **PART NO. CT09-15S**



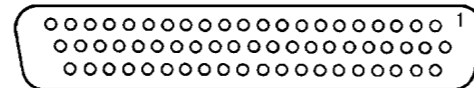
26 Contacts **PART NO. CT15-26S**



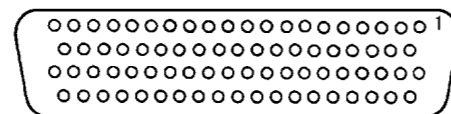
44 Contacts **PART NO. CT25-44S**



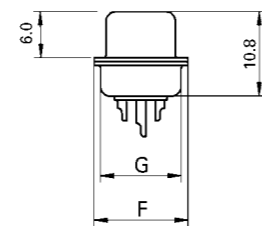
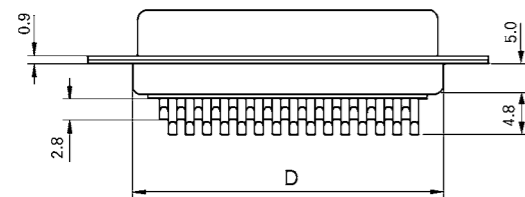
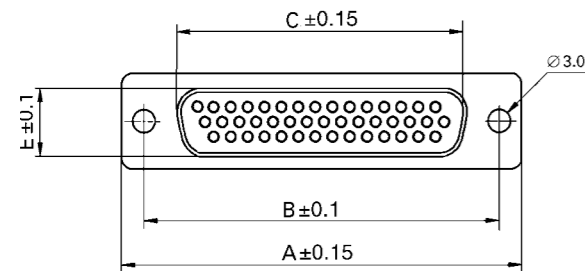
62 Contacts **PART NO. CT37-62S**



78 Contacts **PART NO. CT50-78S**



OUTLINE CONNECTOR DIMENSIONS



INFO.: The design of these connectors basically refer to DIN 41652

Part Number	No. of Contacts	A	B	C	D	E	F	G
CT09-15S	15	30.80	25.00	16.30	19.20	7.80	12.50	10.70
CT15-26S	26	39.10	33.30	24.60	27.70	7.80	12.50	10.70
CT25-44S	44	53.00	47.00	38.30	41.10	7.80	12.50	10.70
CT37-62S	62	69.30	63.50	54.80	57.30	7.80	12.50	10.70
CT50-78S	78	66.90	61.10	52.40	55.10	10.70	15.40	13.60

SPECIFICATIONS

Insulation Resistance: 5,000MΩ min.
 Withstanding Voltage: 1,000V AC
 Contact Resistance: 10mΩ max.
 Current Rating: 5A
 Operating Temp. Range: -55°C to +105°C
 Soldering Temp.: 230°C / 3 sec.

MATERIALS AND FINISH

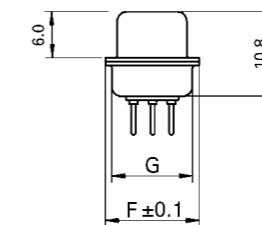
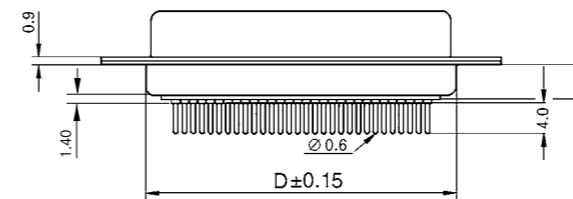
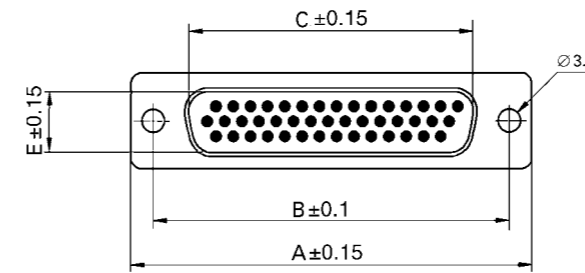
Insulator: Polyester Resin (UL94V-0)
 Contacts: Copper Alloy
 Plating: Au over Ni

FEATURES

- Stamped contacts
- Full Au plating
- Alternative: Selective Au plating
- RoHS2011/65/EU



OUTLINE CONNECTOR DIMENSIONS



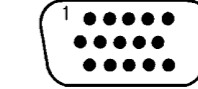
INFO.: The design of these connectors basically refer to DIN 41652

Part Number	No. of Contacts	A	B	C	D	E	F	G	H	J
CT09-15P1-*	15	30.80	25.00	16.90	19.20	8.30	12.50	10.70	7.10	2.29
CT15-26P1-*	26	39.20	33.30	25.25	27.70	8.30	12.50	10.70	6.80	2.29
CT25-44P1-*	44	53.05	47.05	38.95	41.10	8.30	12.50	10.70	7.00	2.29
CT37-62P1-*	62	69.40	63.50	55.40	57.30	8.30	12.50	10.70	7.00	2.42
CT50-78P1-*	78	67.00	61.00	52.80	55.10	11.30	15.30	13.60	7.60	2.42

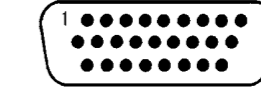
PART NUMBERS (please note)

CT-**PI (AU-PLATED)**
CT-**PI-K45 (SELECTIVE AU)**

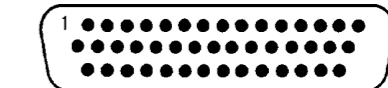
15 Contacts **PART NO. CT09-15P1 (-K45)**



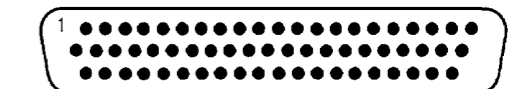
26 Contacts **PART NO. CT15-26P1 (-K45)**



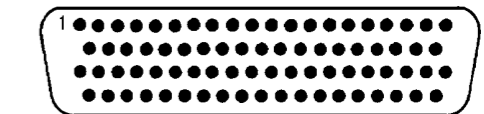
44 Contacts **PART NO. CT25-44P1 (-K45)**



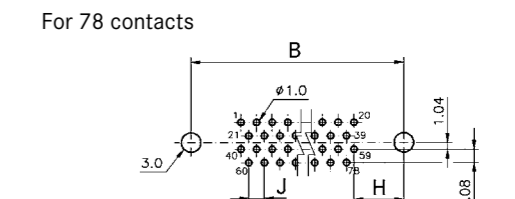
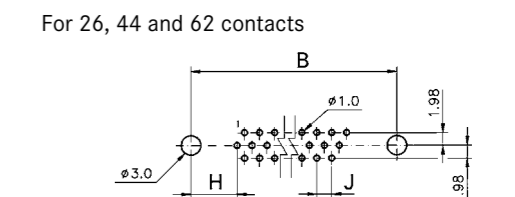
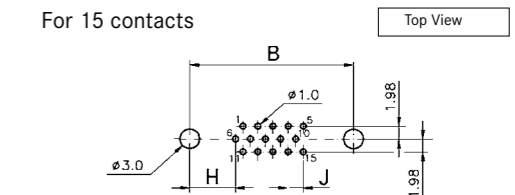
62 Contacts **PART NO. CT37-62P1 (-K45)**



78 Contacts **PART NO. CT50-78P1 (-K45)**



RECOMMENDED PCB LAYOUTS



SPECIFICATIONS

Insulation Resistance: 5,000MΩ min.
 Withstanding Voltage: 1,000V AC
 Contact Resistance: 10mΩ max.
 Current Rating: 5A
 Operating Temp. Range: -55°C to +105°C
 Soldering Temp.: 230°C / 3 sec.

MATERIALS AND FINISH

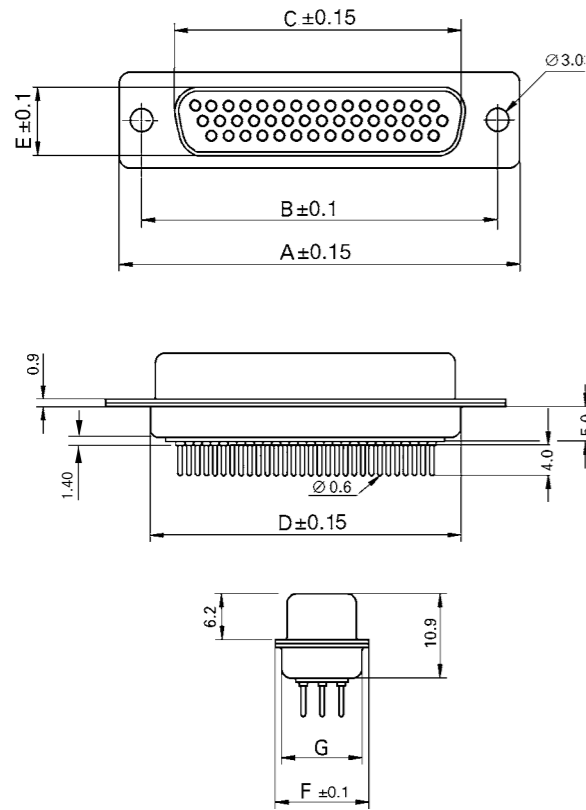
Insulator: Polyester Resin (UL94V-0)
 Contacts: Copper Alloy
 Plating: Au over Ni

FEATURES

- Stamped contacts
- Selective Au plating
- RoHS2011/65/EU



OUTLINE CONNECTOR DIMENSIONS

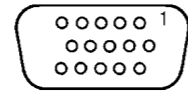


INFO.: The design of these connectors basically refer to DIN 41652

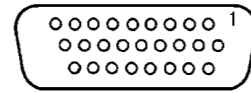
Part Number	No. of Contacts	A	B	C	D	E	F	G	H	J
CT09-15S1	15	30.80	25.00	16.35	19.20	7.90	12.50	10.70	7.10	2.29
CT15-26S1	26	39.20	33.30	24.70	27.70	7.90	12.50	10.70	6.80	2.29
CT25-44S1	44	53.05	47.05	38.40	41.10	7.90	12.50	10.70	7.00	2.29
CT37-62S1	62	69.40	63.50	54.80	57.30	7.90	12.50	10.70	7.00	2.42
CT50-78S1	78	67.00	61.00	52.20	55.10	10.90	15.30	13.60	7.60	2.42

PART NUMBERS

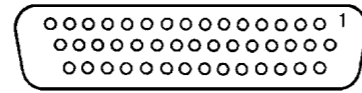
15 Contacts **PART NO. CT09-15S1**



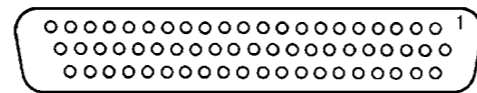
26 Contacts **PART NO. CT15-26S1**



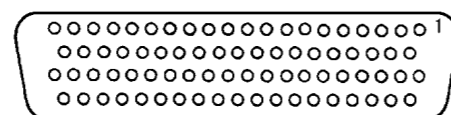
44 Contacts **PART NO. CT25-44S1**



62 Contacts **PART NO. CT37-62S1**

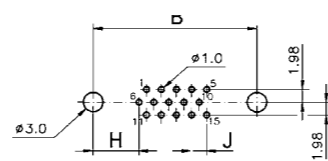


78 Contacts **PART NO. CT50-78S1**

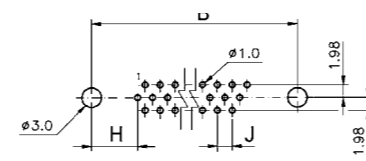


RECOMMENDED PCB LAYOUTS

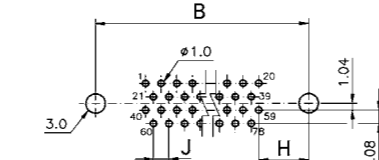
For 15 contacts **Top View**



For 26, 44 and 62 contacts



For 78 contacts



SPECIFICATIONS

Insulation Resistance: 5,000MΩ min.
 Withstanding Voltage: 1,000V AC
 Contact Resistance: 15mΩ max.
 Current Rating: 3A
 Operating Temp. Range: -55°C to +105°C
 Soldering Temp.: 245°C / 3 sec.

MATERIALS AND FINISH

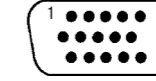
Insulator: PBT, rated UL94V-0
 Contacts: Brass
 Plating: Selective Au

FEATURES

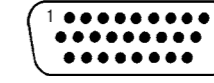
- Stamped contacts
- Full Au plating
- With snap-in latches for board lock
- With M3 or 4-40UNC clinch nut
- RoHS2011/65/EU

PART NUMBERS

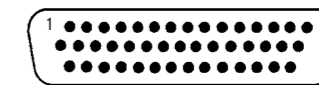
15 Contacts **4-40 = PART NO. CT09-15P5K272**
M3 = PART NO. CT09-15P5K271



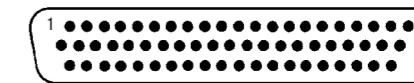
26 Contacts **4-40 = PART NO. CT15-26P5K272**
M3 = PART NO. CT15-26P5K271



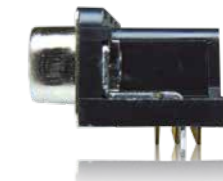
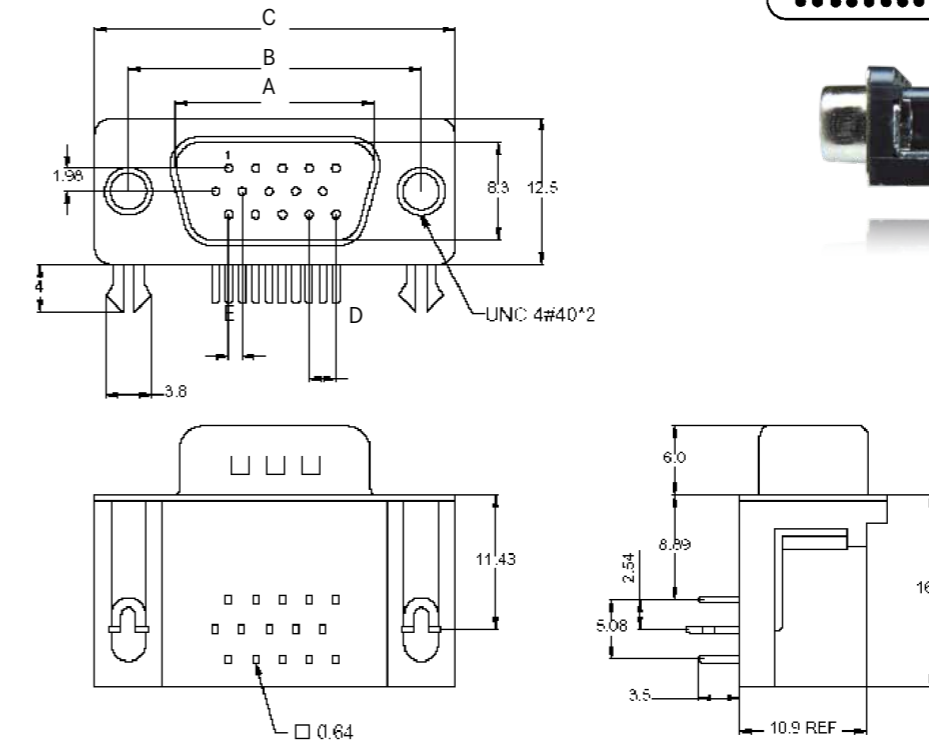
44 Contacts **4-40 = PART NO. CT25-44P5K272**
M3 = PART NO. CT25-44P5K271



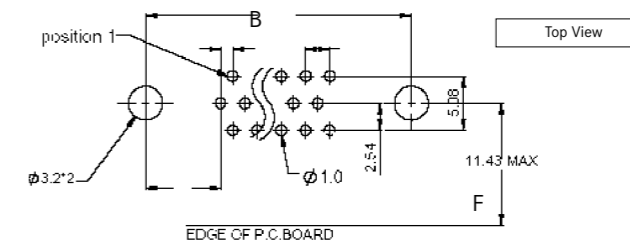
62 Contacts **4-40 = PART NO. CT37-62P5K272**
M3 = PART NO. CT37-62P5K271



OUTLINE CONNECTOR DIMENSIONS



RECOMMENDED PCB LAYOUT



INFO.: The design of these connectors basically refer to DIN 41652

Part Number	No. of Contacts	A	B	C	D	E	F
CT09-15P5K27*	15	16.92	25.00	30.80	2.29	1.14	7.04
CT15-26P5K27*	26	25.25	33.30	39.20	2.29	1.14	6.88
CT25-44P5K27*	44	38.96	47.10	53.10	2.29	1.14	6.99
CT37-62P5K27*	62	55.42	63.50	69.40	2.41	1.20	7.00

SPECIFICATIONS

Insulation Resistance: 3,000MΩ min.
(78 pin 5,000MΩ min.)
Withstanding Voltage: 1,000V AC
Contact Resistance: 15mΩ max.
(78 pin 20mΩ max.)
Current Rating: 3A (78 pin 2A)
Operating Temp. Range: -55°C to +105°C
Soldering Temp.: 245°C / 3 sec.

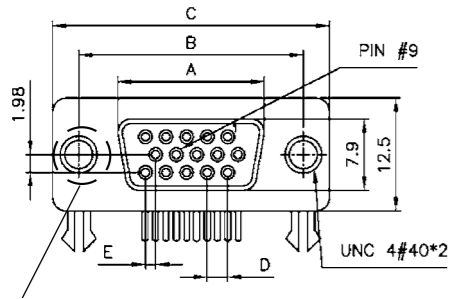
MATERIALS AND FINISH

Insulator: Thermal plastic UL94V-0
Contacts: Copper Alloy
(78 pin Phosphor Bronze)
Plating: Au over Ni

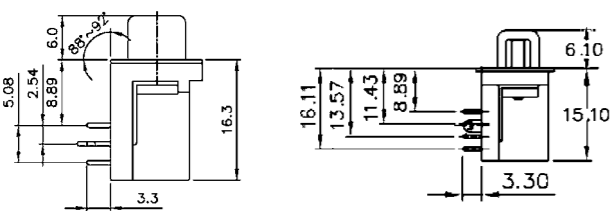
FEATURES

- Stamped contacts
- Selective Au plating
- With snap-in latches for PCB lock, or Through Hole to PCB with M3 or 4-40UNC clinch nut
- RoHS2011/65/EU

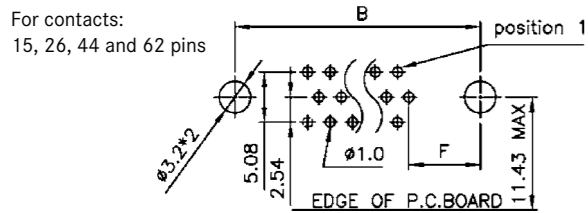
OUTLINE CONNECTOR DIMENSIONS



Without Snap-in Type has a Through Hole for Screw Fixing
For contacts: 15, 26, 44 and 62 pins
For contact: 78 pins



RECOMMENDED PCB LAYOUT

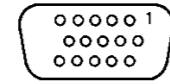


INFO.: The design of these connectors basically refer to DIN 41652

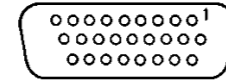
Part Number	No. of Contacts	A	B	C	D	E	F
CT09-15S5K22*	15	16.30	25.00	30.80	2.29	1.14	7.04
CT15-26S5K22*	26	24.60	33.30	39.20	2.29	1.14	6.88
CT25-44S5K22*	44	38.30	47.10	53.10	2.29	1.14	6.88
CT37-62S5K22*	62	54.80	63.50	69.40	2.41	1.20	7.00
CT50-78S5*22*	78	52.20	61.11	67.05	2.41	1.20	-

PART NUMBERS

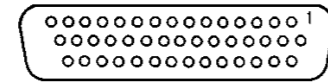
15 Contacts With Snap-in **4-40 = PART NO. CT09-15S5K228**
w/o Snap-in **4-40 = PART NO. CT09-15S5K222**
M3 = PART NO. CT09-15S5K229



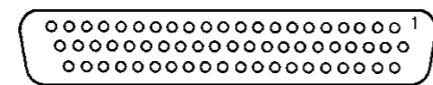
26 Contacts With Snap-in **4-40 = PART NO. CT09-26S5K228**
w/o Snap-in **4-40 = PART NO. CT09-26S5K222**
M3 = PART NO. CT09-26S5K229



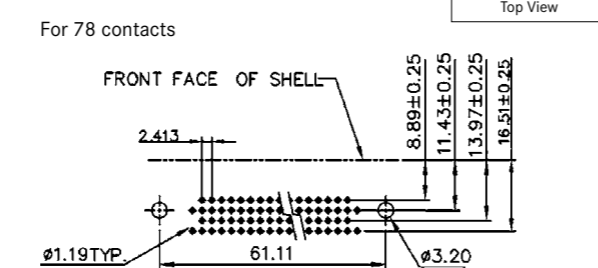
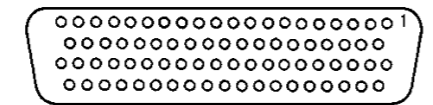
44 Contacts With Snap-in **4-40 = PART NO. CT09-44S5K228**
w/o Snap-in **4-40 = PART NO. CT09-44S5K222**
M3 = PART NO. CT09-44S5K229



62 Contacts With Snap-in **4-40 = PART NO. CT09-62S5K228**
w/o Snap-in **4-40 = PART NO. CT09-62S5K222**
M3 = PART NO. CT09-62S5K229



78 Contacts With Snap-in **4-40 = PART NO. CT09-78S5K228**
w/o Snap-in **4-40 = PART NO. CT09-78S5K222**
M3 = PART NO. CT09-78S5K229



SPECIFICATIONS

Insulation Resistance: 1,000MΩ min. at 500V DC
Dielectric Strength: 1,000 V AC min. for 1 minute
Voltage Rating: 300V DC
Withstanding Voltage: 500V AC for 1 Minute
Contact Resistance: 20mΩ max.
Current Rating: 1.5A
Operating Temp. Range: -55°C to +105°C
Soldering Temp.: 245°C / 3 sec.

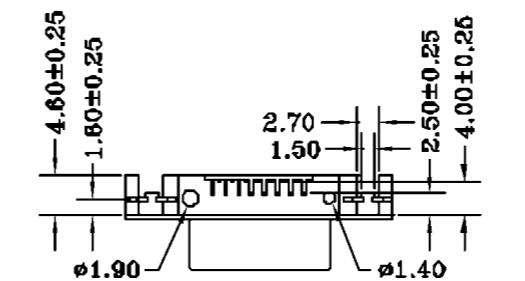
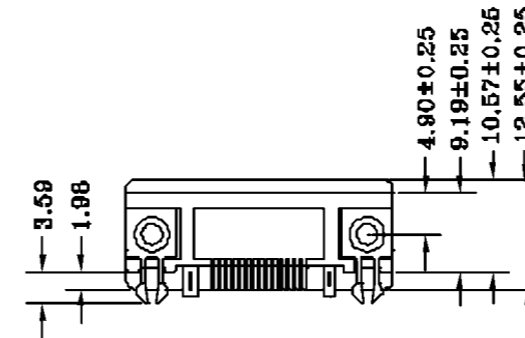
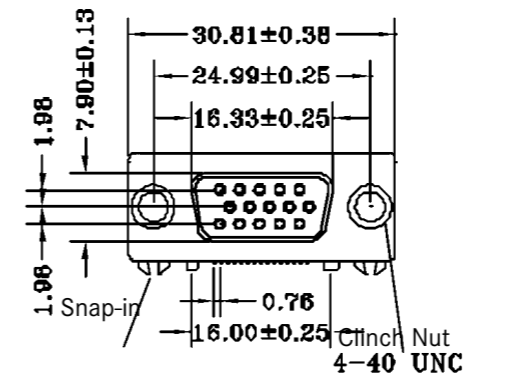
MATERIALS AND FINISH

Insulator: PBT UL94V-0
Contacts: Phosphor Bronze
Plating: Mating Area = Au over Ni
Solder Area = Sn over Ni
Snap-in: Brass, Ni plated
Clinch Nut: Brass, Ni plated
Shell: Steel, Sn or Zn plated

FEATURES

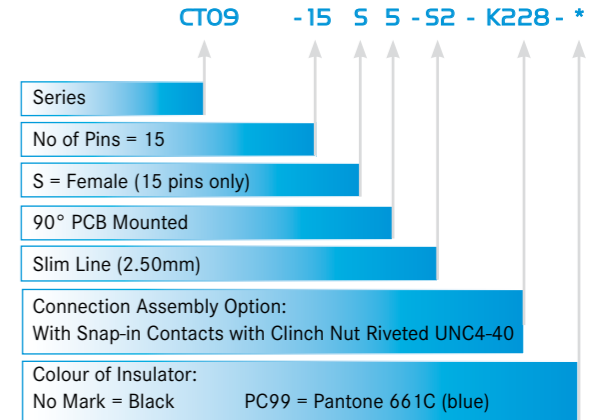
- Slim line, total depth of only 4.6mm
- Coloured insulator acc. to PC99 standard available
- RoHS2011/65/EU

OUTLINE CONNECTOR DIMENSIONS (FEMALE, 15 PINS ONLY)

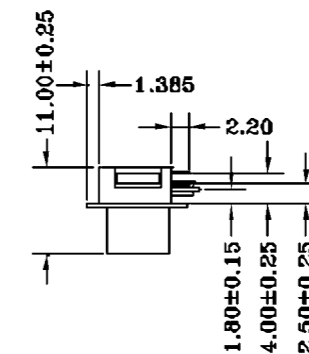
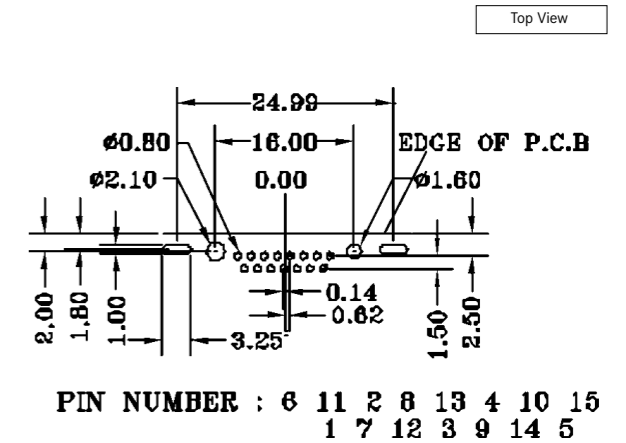


INFO.: The design of this connector basically refer to DIN 41652

PART NUMBER



RECOMMENDED PCB LAYOUTS



SPECIFICATIONS

Insulation Resistance: 5,000MΩ min.
Withstanding Voltage: 1,000V AC
Contact Resistance: 10mΩ max.
Current Rating: 5A
Operating Temp. Range: -55°C to +105°C

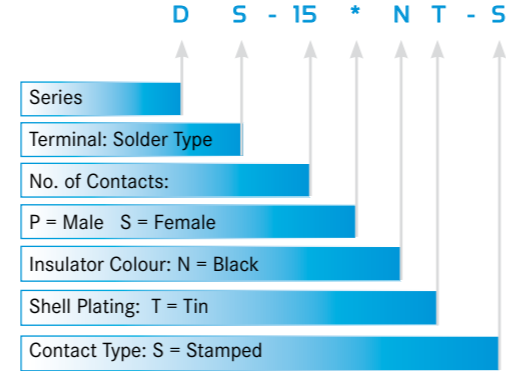
MATERIALS AND FINISH

Insulator: Polyester Resin UL94V-0
Contacts: Stamped Copper Alloy
Plating: Au over Ni

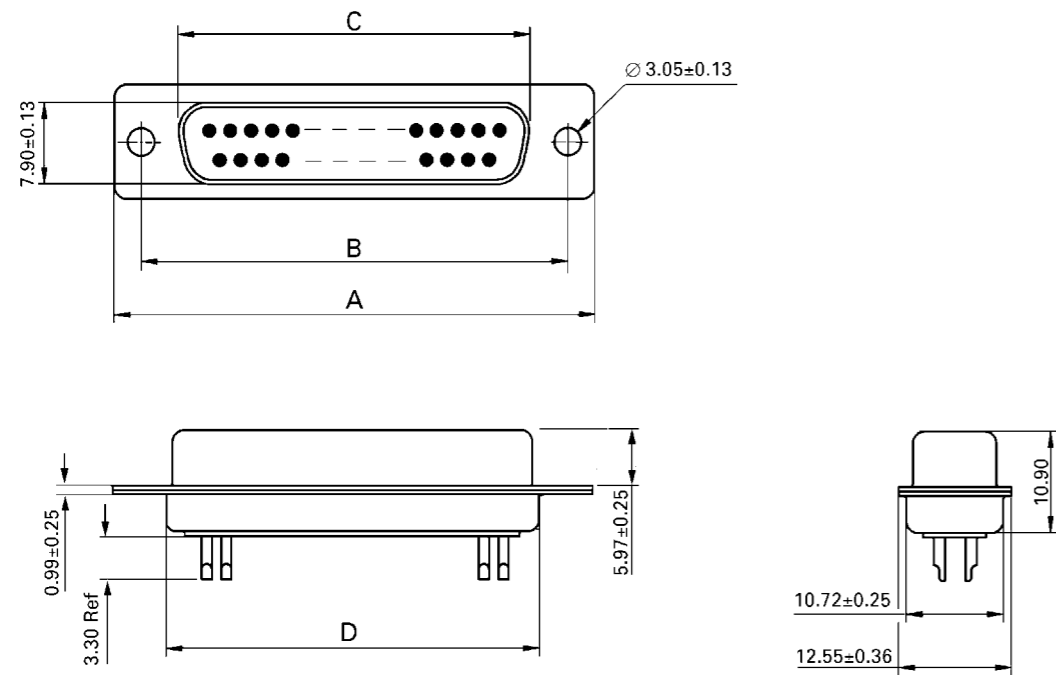
FEATURE

• RoHS2011/65/EU

PART NUMBER



OUTLINE CONNECTOR DIMENSIONS (MALE AND FEMALE)



INFO.: The design of these connectors basically refer to DIN 41652

Part Number	No. of Contacts	A	B	C (MALE)	D (FEMALE)	E
DS-09*NT-S	9	30.81	24.99	16.92	16.33	19.28
DS-15*NT-S	15	39.14	33.32	25.25	24.66	27.51
DS-25*NT-S	25	53.04	47.04	38.96	38.38	41.28
DS-37*NT-S	37	69.32	63.50	55.42	54.84	57.71
DS-50*NT-S	50	66.93	61.11	55.00	52.43	55.32

SPECIFICATIONS

Insulation Resistance: 5,000MΩ min.
Withstanding Voltage: 1,000V AC
Contact Resistance: 10mΩ max.
Current Rating: 5A
Operating Temp. Range: -55°C to +105°C
Soldering Temp.: 230°C / 3 sec.

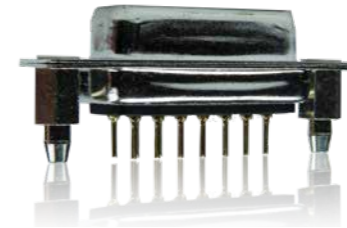
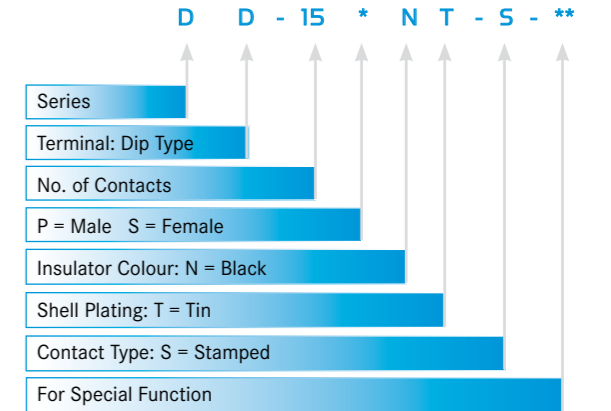
MATERIALS AND FINISH

Insulator: Polyester Resin UL94V-0
Contacts: Stamped Copper Alloy
Plating: Au over Ni

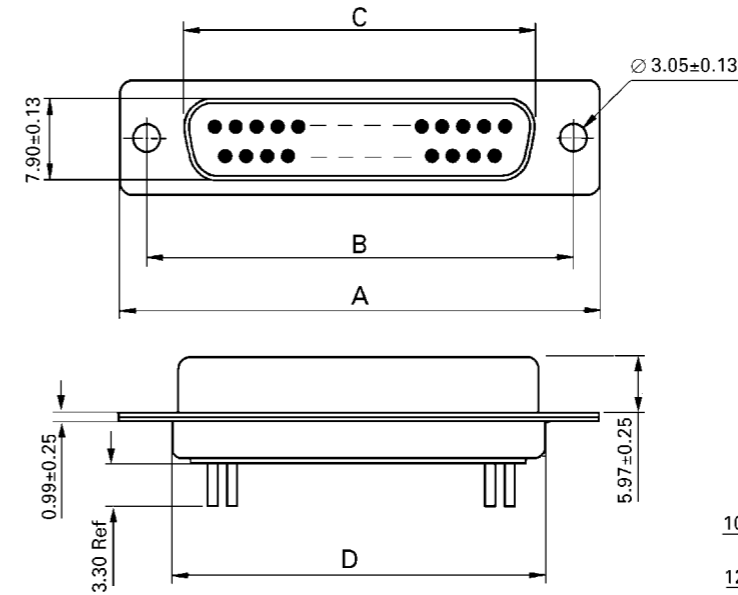
FEATURE

• RoHS2011/65/EU

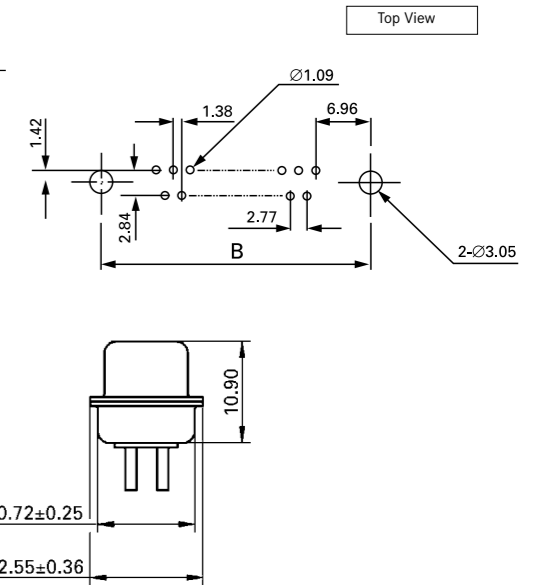
PART NUMBER



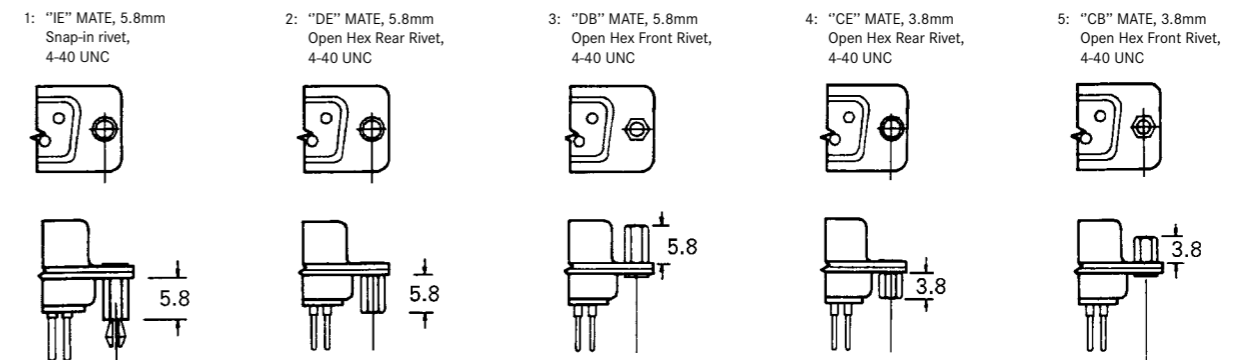
OUTLINE CONNECTOR DIMENSIONS (MALE AND FEMALE)



RECOMMENDED PCB LAYOUT



SPECIAL FUNCTIONS



INFO.: The design of these connectors basically refer to DIN 41652

Part Number	No. of Contacts	A	B	C (MALE)	D (FEMALE)	E
DD-09*NT-S-**	9	30.81	24.99	16.92	16.33	19.28
DD-15*NT-S-**	15	39.14	33.32	25.25	24.66	27.51
DD-25*NT-S-**	25	53.04	47.04	38.96	38.38	41.28
DD-37*NT-S-**	37	69.32	63.50	55.42	54.84	57.71
DD-50*NT-S-**	50	66.93	61.11	55.00	52.43	55.32

SPECIFICATIONS

Insulation Resistance: 5,000MΩ min.
 Withstanding Voltage: 1,000 V AC
 Contact Resistance: 10mΩ max.
 Current Rating: 5A
 Operating Temp. Range: -55°C to +105°C
 Soldering Temp.: 240°C / 3 sec.

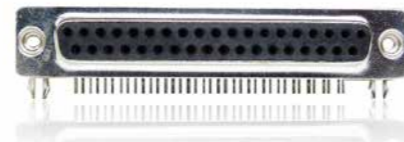
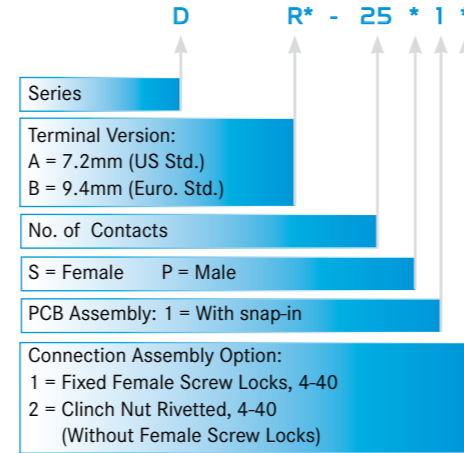
MATERIALS AND FINISH

Insulator: Polyester Resin (glass filled) Fiber reinforced, UL94V-0
 Contacts: Stamped Copper Alloy
 Plating: Au over Ni

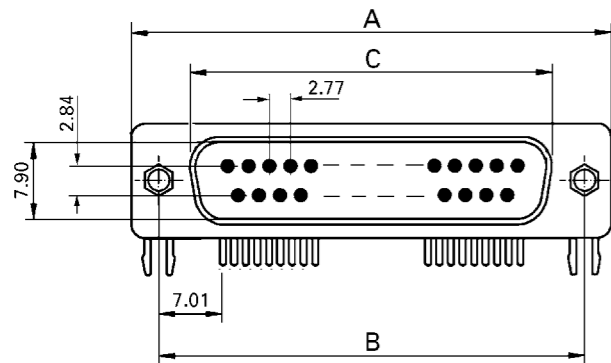
FEATURES

- M3 female threaded screw available on request
- RoHS2011/65/EU

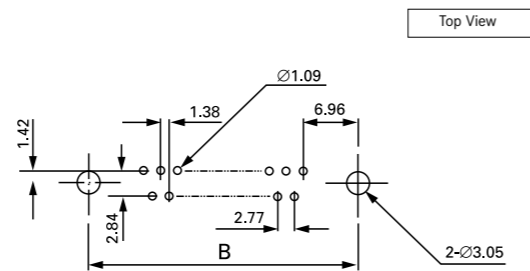
PART NUMBER



OUTLINE CONNECTOR DIMENSIONS (MALE AND FEMALE)

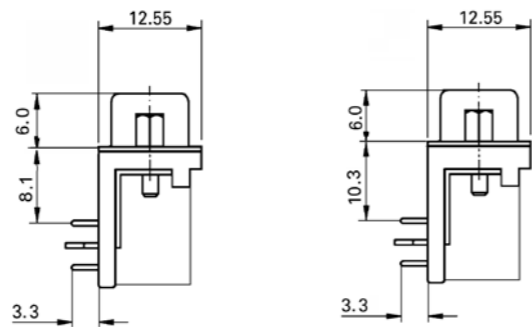


RECOMMENDED PCB LAYOUT



US - Standard:
(RA Terminal Version)

European - Standard:
(RB Terminal Version)



INFO.: The design of these connectors basically refer to DIN 41652

Part Number	No. of Contacts	A	B	C (MALE)	D (FEMALE)
DR*-09*1*	9	30.81	24.99	16.92	16.33
DR*-15*1*	15	39.14	33.32	25.25	24.66
DR*-25*1*	25	53.04	47.04	38.96	38.38
DR*-37*1*	37	69.32	63.50	55.42	54.84

SPECIFICATIONS

Insulation Resistance: 5,000MΩ min.
 Withstanding Voltage: 1,000 V AC
 Contact Resistance: 20mΩ max.
 Current Rating: 5A
 Operating Temp. Range: -55°C to +105°C
 Soldering Temp.: 260°C / 3 sec.

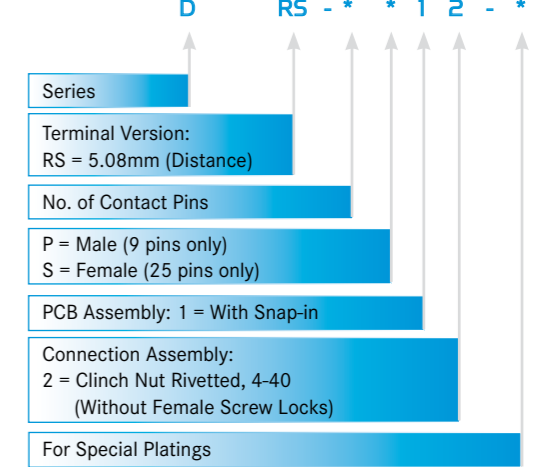
MATERIALS AND FINISH

Insulator: PBT UL94V-0
 Contacts: Phosphor Bronze
 Shell: Ni plated
 Plating: Au over Ni

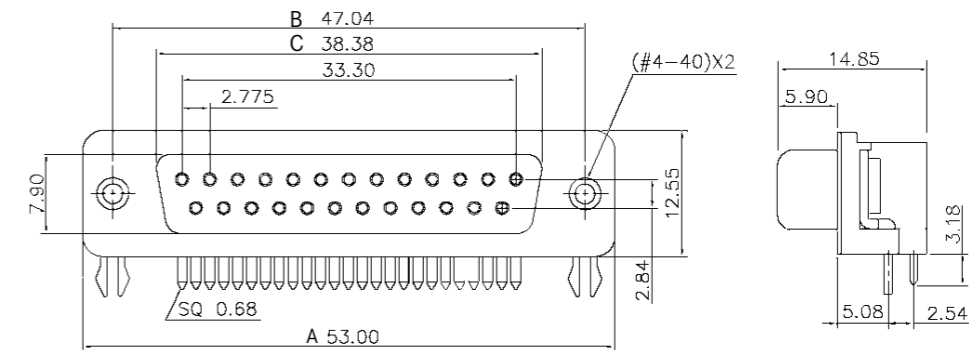
FEATURES

- Short distance type (female 5.08mm)
- RoHS2011/65/EU

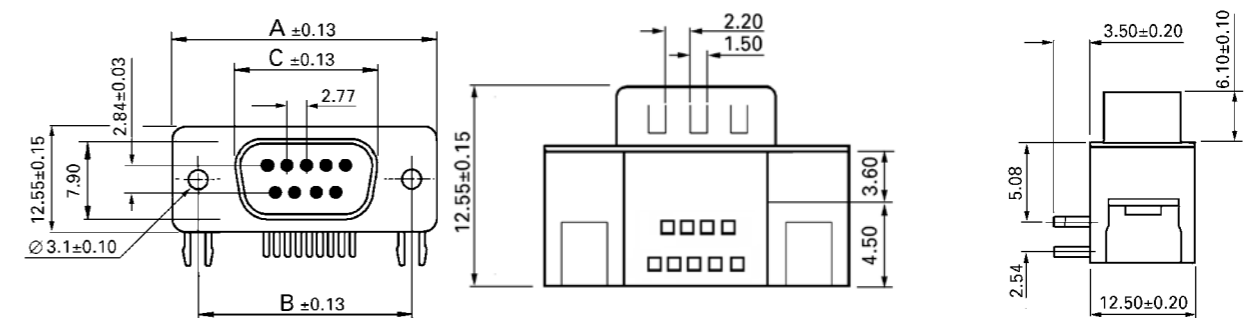
PART NUMBER



OUTLINE CONNECTOR DIMENSIONS (FEMALE 25 PINS)

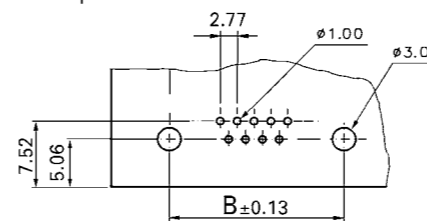


OUTLINE CONNECTOR DIMENSIONS (MALE 9 PINS)

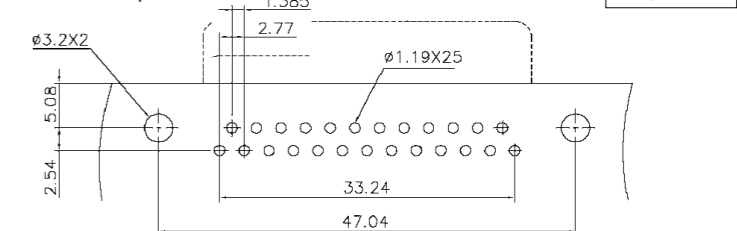


RECOMMENDED PCB LAYOUTS

Male 9 pins



Female 25 pins



INFO.: The design of these connectors basically refer to DIN 41652

Part Number	No. of Contacts	A	B	C
DRS-09P12-*	9	30.85	24.95	16.92
DRS-25S12-*	25	53.00	47.04	38.38

SPECIFICATIONS

Insulation Resistance: 1,000MΩ min.
 Withstanding Voltage: 500 V AC
 Contact Resistance: 20mΩ max.
 Current Rating: 5A
 Operating Temp. Range: -40°C to +105°C
 Soldering Temp.: 220°C / 60 sec., 250°C peak

MATERIALS AND FINISH

Insulator: Nylon 6T
 Contacts: Phosphor Bronze
 Plating: Mating area - Flash Au over Ni
 Solder area - Sn over Ni

FEATURE

- RoHS2011/65/EU

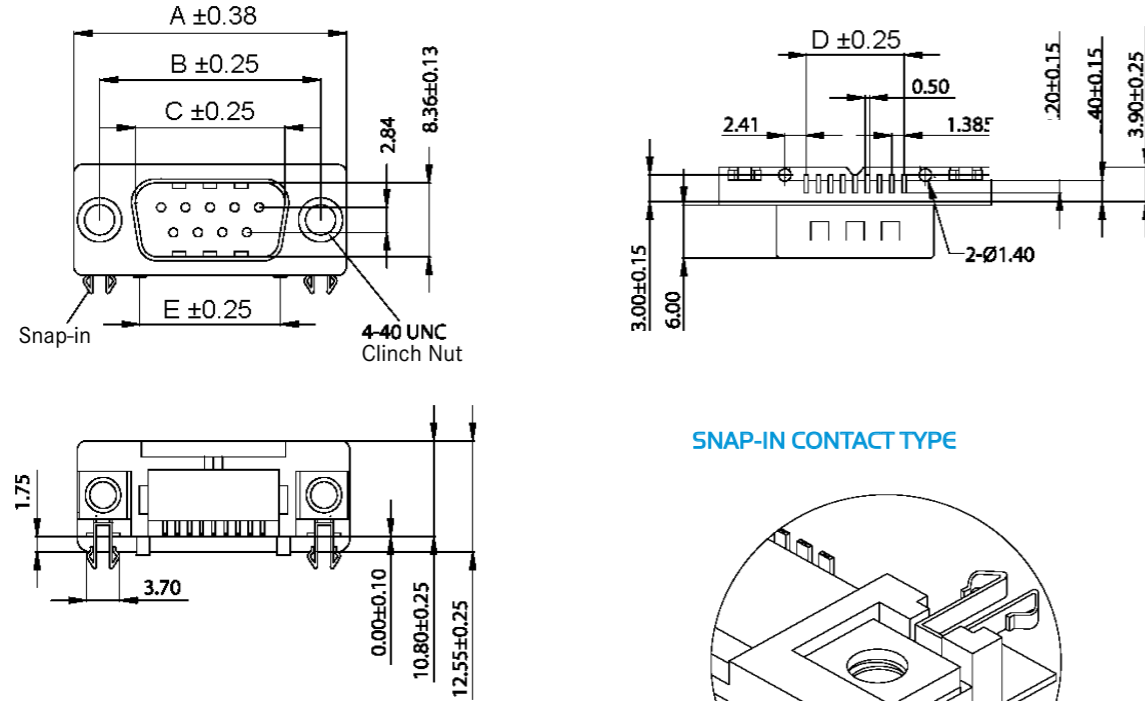
PART NUMBER

DSM - 09 P - G2 - V - *

Series	DSM
No. of Pins = 9 & 25	09
P = Male	P
Contact Plating: G2 = Au Flash	G2
PCB Latch Type: V = Snap-in Contact	V
Colour of Insulator:	*
No Mark = Black	
PC99 = Pantone 322C (9 pins only)	

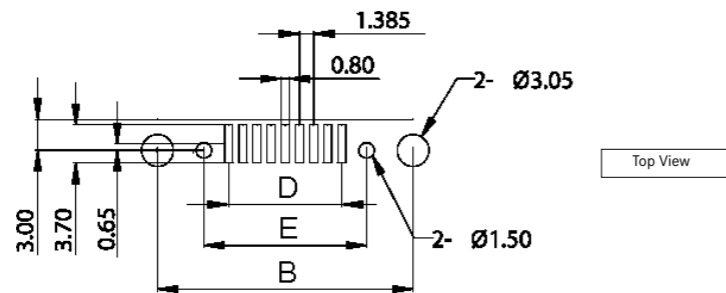


OUTLINE CONNECTOR DIMENSIONS



SNAP-IN CONTACT TYPE

RECOMMENDED PCB LAYOUTS



INFO.: The design of these connectors basically refer to DIN 41652

Part Number	No. of Contacts	A	B	C	D	E
DSM-09P-G2-V-*	9	30.81	24.99	16.92	11.08	15.90
DSM-25P-G2-V-*	25	53.04	47.04	38.96	33.24	38.06

SPECIFICATIONS

Insulation Resistance: 1,000MΩ min.
 Withstanding Voltage: 500 V AC for 1 minute
 Contact Resistance: 13mΩ max.
 Current Rating: 5A
 Operating Temp. Range: -55°C to +105°C
 Soldering Temp.: 220°C / 60 sec., 250°C peak

MATERIALS AND FINISH

Insulator: Nylon 6T
 Contacts: Phosphor Bronze
 Plating: Mating area - Flash Au over Ni
 Solder area - Sn over Ni

FEATURE

- RoHS2011/65/EU

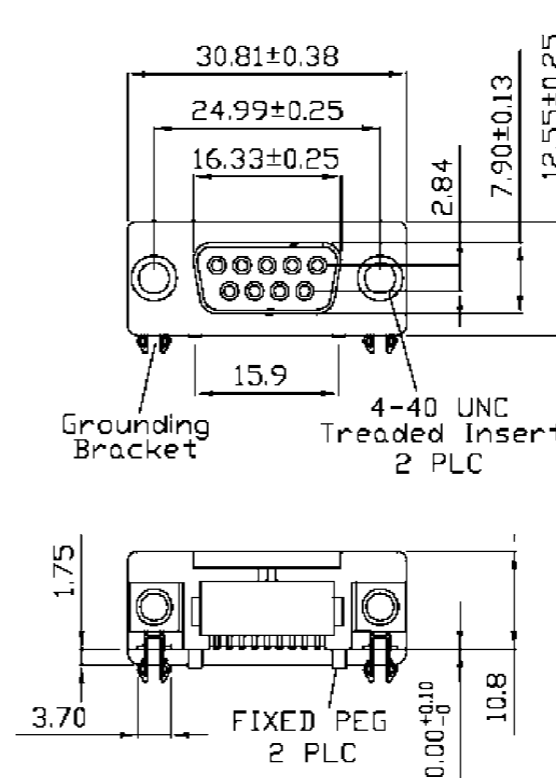
PART NUMBER

DSM - 09 S - G2 - V

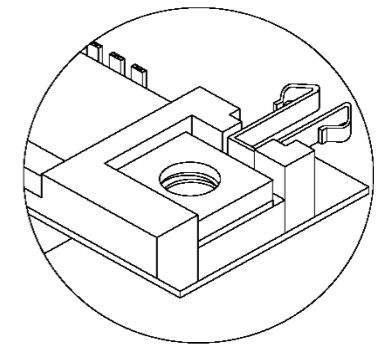
Series	DSM
No. of Pins	09
S = Female	S
Contact Plating: G2 = Au Flash	G2
PCB Latch Type: V = Snap-in Contacts	V



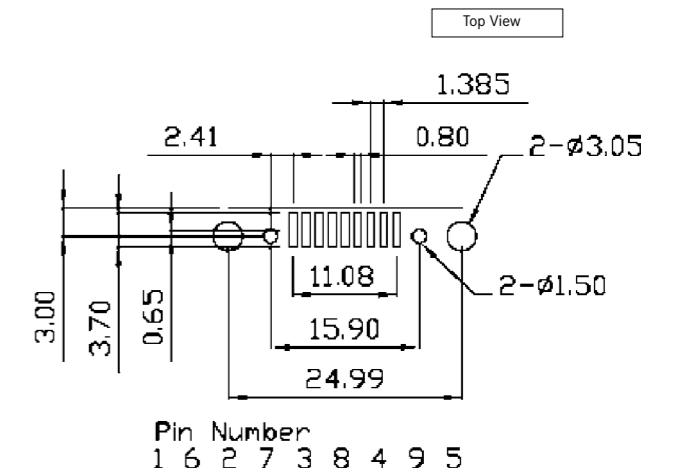
OUTLINE CONNECTOR DIMENSIONS



SNAP-IN CONTACT TYPE



RECOMMENDED PCB LAYOUTS



INFO.: The design of this connector basically refer to DIN 41652

SPECIFICATIONS

Insulation Resistance: 1,000MΩ min. at 500V DC
 Withstanding Voltage: 500V AC
 Contact Resistance: 10mΩ max.
 Current Rating: 1A
 Operating Temp. Range: -55°C to +105°C

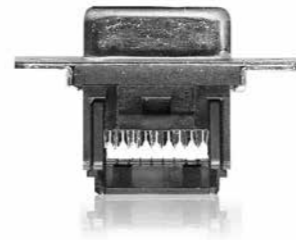
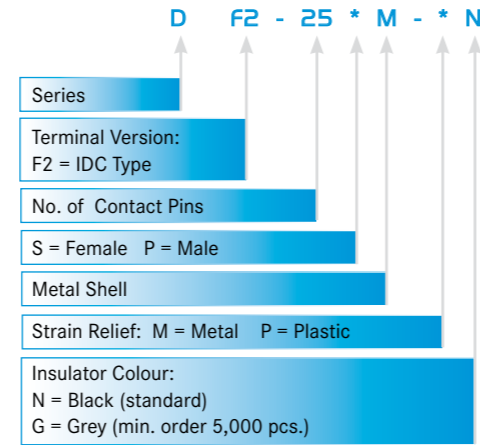
MATERIALS AND FINISH

Shell: Steel, Tin Plated
 Insulator: Polyester Resin
 UL94V-0
 Contacts: Phosphor Bronze
 Plating: Mating Face - Au over Ni
 I.D.C Terminal - Tin over Ni
 Wire Size: AWG 26 or 28 Stranded Wire

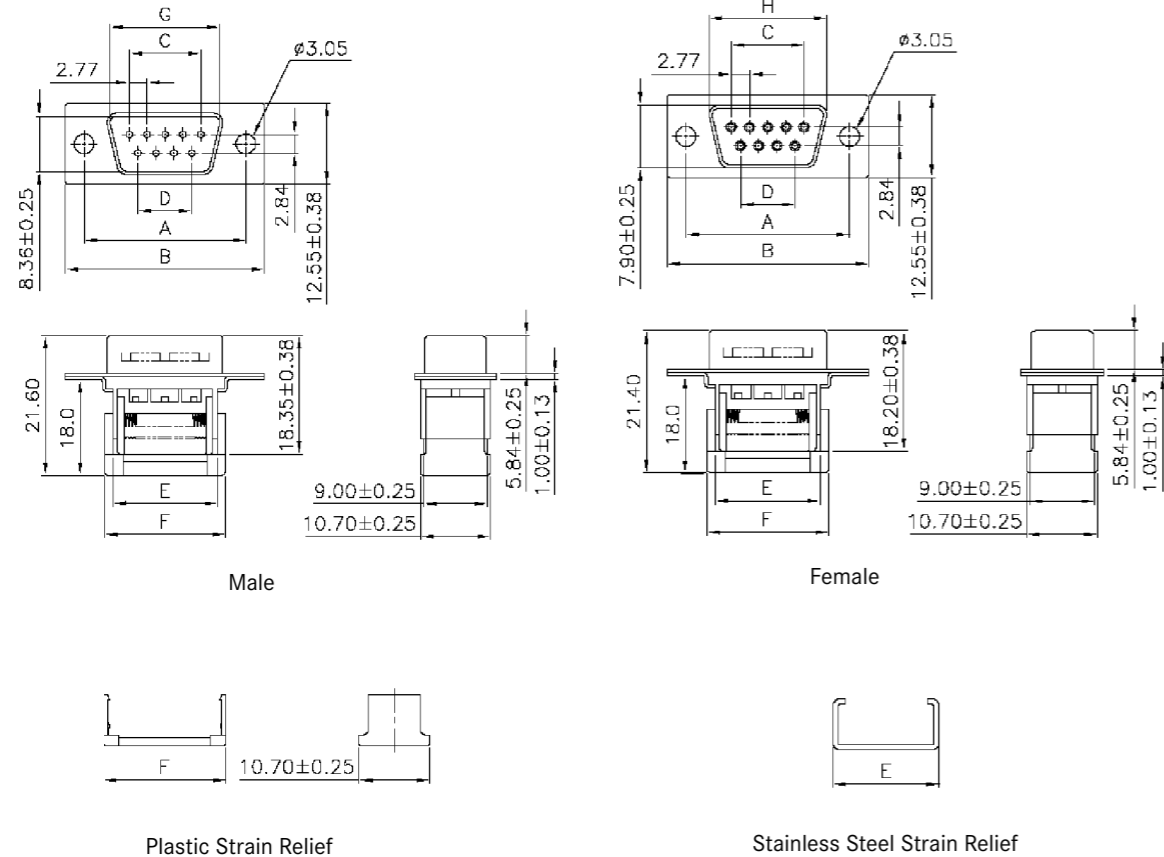
FEATURE

- RoHS2011/65/EU

PART NUMBER



OUTLINE CONNECTOR DIMENSIONS (MALE AND FEMALE)



INFO.: The design of these connectors basically refer to DIN 41652

Part Number	No. of Contacts	A	B	C	D	E	F	G	H
DF2-09*M-*	9	24.99	30.80	11.08	8.31	16.10	18.60	16.92	16.33
DF2-15*M-*	15	33.32	39.10	19.39	16.62	24.00	26.60	25.25	24.66
DF2-25*M-*	25	47.04	53.09	33.24	30.47	38.14	40.90	38.96	38.38
DF2-37*M-*	37	63.50	69.40	49.86	47.09	54.60	57.10	55.45	54.84

SPECIFICATIONS

Insulation Resistance: 3,000MΩ min.
 Withstanding Voltage: 1,000V AC
 Contact Resistance: 15mΩ max.
 Current Rating: 3A
 Operating Temp. Range: -55°C to +105°C
 Soldering Temp.: 230°C / 3 sec.
 Operating Voltage: 250V AC max.

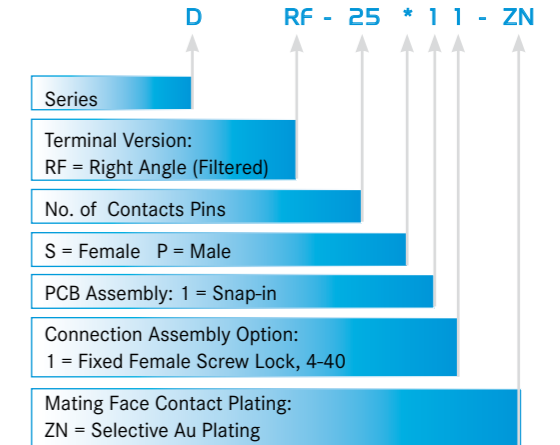
MATERIALS AND FINISH

Shell: Steel, Tin plated
 Insulator: Thermal Plastic, UL94V-0
 Contacts: Male, Copper Alloy
 Female, Brass
 Plating: Selective Au

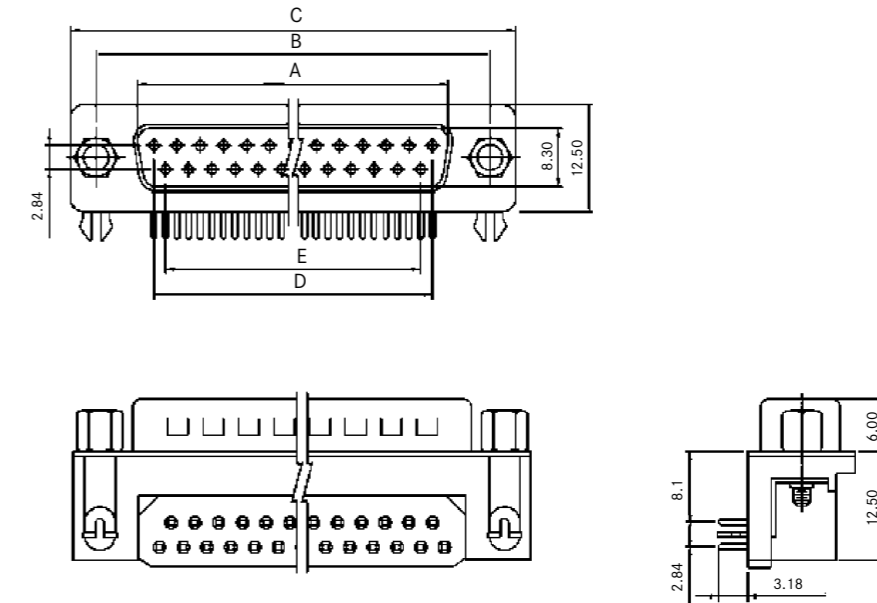
FEATURE

- RoHS2011/65/EU

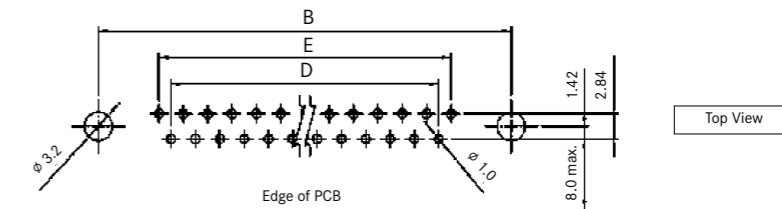
PART NUMBER



OUTLINE CONNECTOR DIMENSIONS



RECOMMENDED PCB LAYOUT



INFO.: The design of these connectors basically refer to DIN 41652

Part Number	No. of Contacts	A	B	C	D	E
DRF-09*11-ZN	9	16.92	25.00	30.80	8.31	11.09
DRF-15*11-ZN	15	25.25	33.30	39.20	16.62	19.39
DRF-25*11-ZN	25	38.96	47.10	53.10	30.47	33.24
DRF-37*11-ZN	37	55.42	63.50	96.40	47.09	49.85

SPECIFICATIONS

Insulation Resistance: 5,000MΩ min.
Withstanding Voltage: 1,000V AC
Contact Resistance: 10mΩ max.
Current Rating: 5A
Operating Temp. Range: -55°C to +105°C
Soldering Temp.: 240°C / 3 sec.

MATERIALS AND FINISH

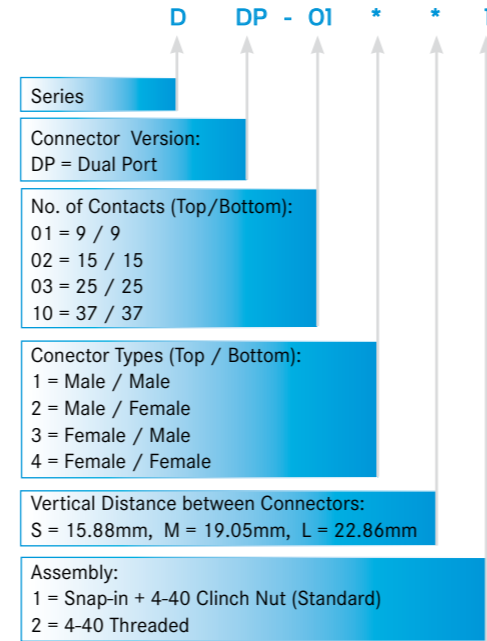
Shell: Steel, Tin plated
Insulator: Polyester Resin
UL94V-0
Contacts: Stamped Copper Alloy
Plating: Au over Ni

FEATURE

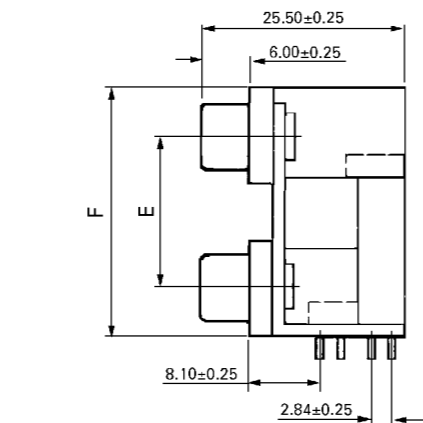
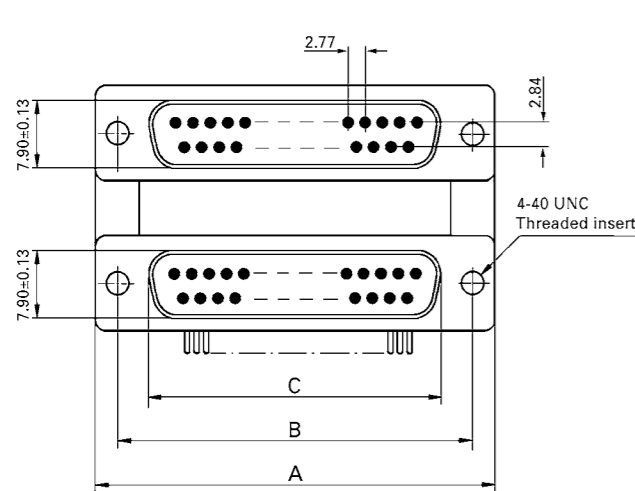
• RoHS2011/65/EU



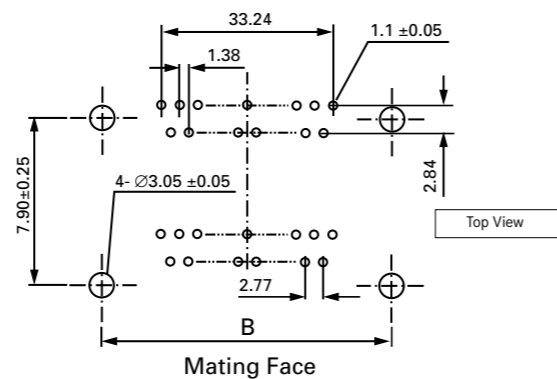
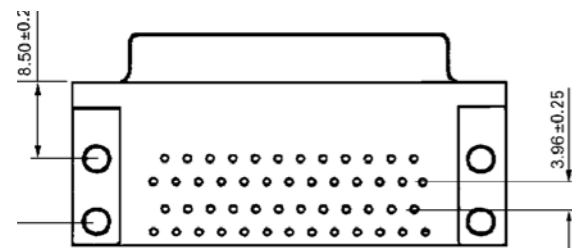
PART NUMBER



OUTLINE CONNECTOR DIMENSIONS



RECOMMENDED PCB LAYOUTS



INFO.: The design of these connectors basically refer to DIN 41652

Part Number	No. of Contacts	A	B	C
DDP-01**1	9 / 9	30.81	24.99	16.33
DDP-02**1	15 / 15	39.14	33.32	24.66
DDP-03**1	25 / 25	53.04	47.04	38.38
DDP-10**1	37 / 37	69.32	63.50	54.84

Vertical Distances	E	F
Type S	15.88	28.42
Type M	19.05	31.60
Type L	22.86	35.41

SPECIFICATIONS

Insulation Resistance: 5,000MΩ min.
Withstanding Voltage: 1,000V AC
Contact Resistance: 10mΩ max.
Current Rating: 5A
Operating Temp. Range: -55°C to +105°C
Soldering Temp.: 240°C / 3 sec.

MATERIALS AND FINISH

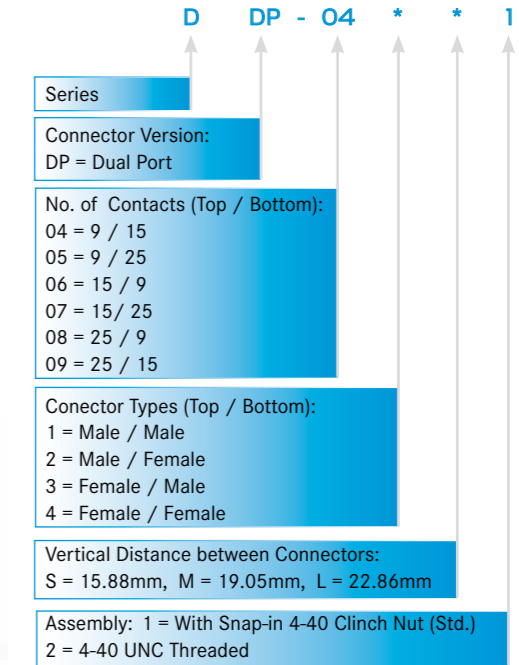
Shell: Steel, Tin plated
Insulator: Polyester Resin
UL94V-0
Contacts: Stamped Copper Alloy
Plating: Au over Ni

FEATURE

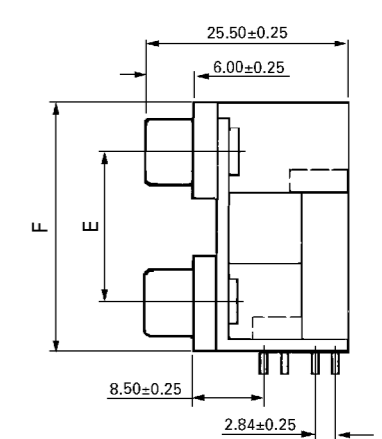
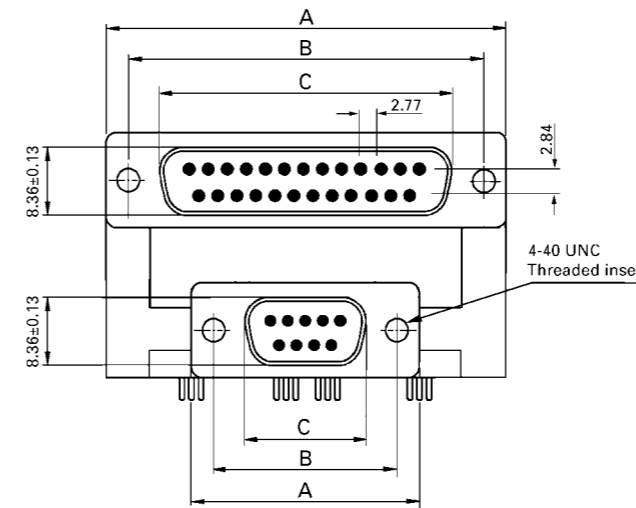
• RoHS2011/65/EU



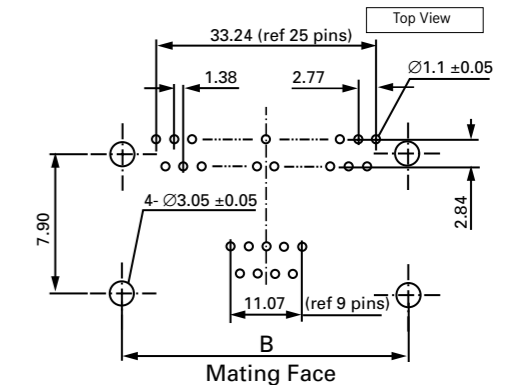
PART NUMBER



OUTLINE CONNECTOR DIMENSIONS



RECOMMENDED PCB LAYOUTS

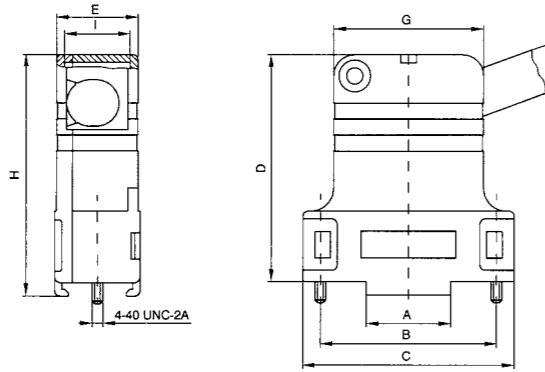


INFO.: The design of these connectors basically refer to DIN 41652

Part Number	No. of Contacts	A	B	C
DDP-04**1	9 / 15	30.81 / 39.14	24.99 / 33.32	16.33 / 24.66
DDP-05**1	9 / 25	30.81 / 53.04	24.99 / 47.04	16.33 / 38.38
DDP-06**1	15 / 9	39.14 / 30.81	33.32 / 24.99	24.66 / 16.33
DDP-07**1	15 / 25	39.14 / 53.04	33.32 / 47.04	24.66 / 38.38
DDP-08**1	25 / 9	53.04 / 30.81	47.04 / 24.99	38.38 / 16.33
DDP-09**1	25 / 15	53.04 / 39.14	47.04 / 33.32	38.38 / 24.66

Vertical Distances	E	F
Type S	15.88	28.42
Type M	19.05	31.60
Type L	22.86	35.41

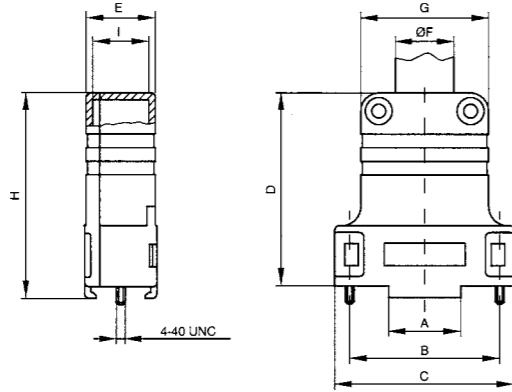
FKC1 TO FKC5
70° Cable Outlet



RoHS2011/65/EU

Part Number	A	B	C	D	E	∅F MIN.	∅F MAX.	G	H	I
FKC1	10.0	25.0	31.8	39.3	15.8	3.5	8.6	20.0	41.6	11.6
FKC2	16.0	33.3	41.2	45.5	16.3	3.5	8.6	28.4	47.8	11.6
FKC3	28.0	47.0	54.9	52.5	16.3	4.0	12.0	42.1	54.8	11.6
FKC4	44.4	63.5	71.4	55.0	18.7	6.0	13.0	58.6	57.8	14.0
FKC5	42.0	61.1	69.0	55.0	19.5	6.0	14.0	56.2	57.8	15.0

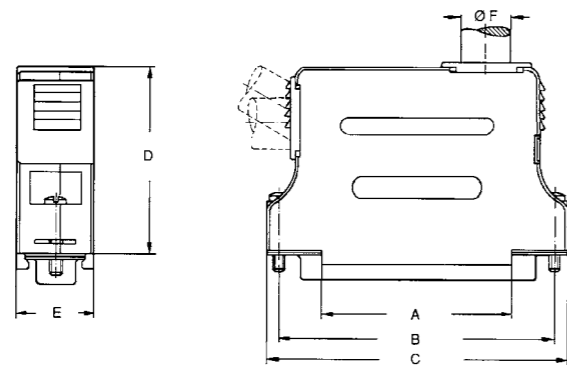
FKC1G TO FKC5G
180° Cable Outlet



RoHS2011/65/EU

Part Number	A	B	C	D	E	∅F MIN.	∅F MAX.	G	H	I
FKC1G	10.0	25.0	31.8	39.2	17.6	4.0	11.0	20.0	41.6	13.2
FKC2G	16.0	33.3	41.2	45.5	16.3	4.0	11.0	28.4	47.8	11.6
FKC3G	28.0	47.0	54.9	52.5	16.3	4.0	12.0	42.1	54.8	11.6
FKC4G	44.4	63.5	71.4	55.0	18.7	6.0	13.0	58.6	57.8	14.0
FKC5G	42.0	61.1	69.0	55.0	19.5	6.0	14.0	56.2	57.8	15.0

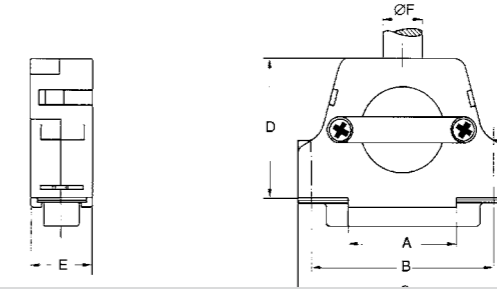
FPHGR-1 TO FPHGR-5
Various Cable Outlets



RoHS2011/65/EU

Part Number	No. of Contacts	Cable Outlet	A	B	C	D	E	∅F
FPHGR-1	9	0° / - / -	10.0	25.0	32.2	31.8	15.7	6.5
FPHGR-2	15	0° / - / -	16.1	33.3	39.2	36.9	15.7	11.2
FPHGR-3	25	0° / 60° / 90°	27.8	47.0	53.3	42.2	15.7	11.2
FPHGR-4	37	0° / 60° / 90°	44.4	63.5	69.7	42.2	15.7	11.2
FPHGR-5	50	0° / 60° / 90°	42.0	61.1	67.3	42.2	18.5	14.0

FKH1 TO FKH5
180° Cable Outlet

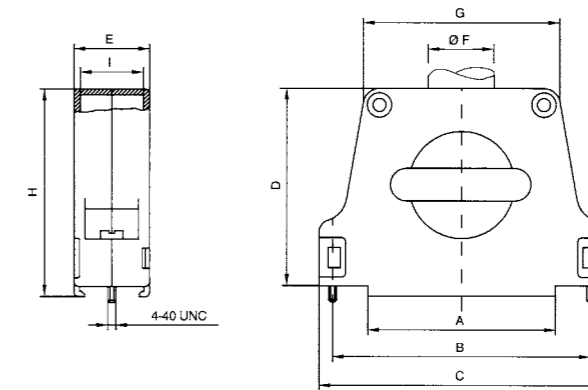


RoHS2011/65/EU

Part Number	No. of Contacts	Cable Outlet	A	B	C	D	E	∅F
FKH1	9	10.0	25.0	31.2	31.8	16.0	8.0	6.5
FKH2	15	16.1	33.3	40.0	32.0	16.0	8.0	11.2
FKH3	25	27.8	47.0	53.4	35.0	16.0	11.3	11.2
FKH4	37	44.4	63.5	70.2	41.0	16.0	11.3	11.2
FKH5	50	42.0	61.1	67.8	41.0	18.5	13.8	14.0

D-SUB (METAL HOOD VARIATIONS)

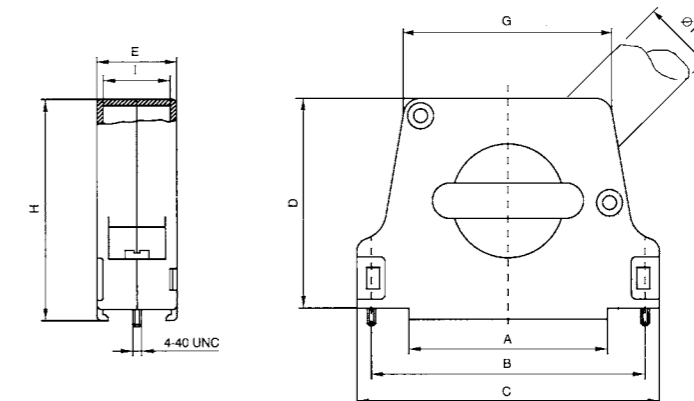
FMK1G TO FMK5G
180° Cable Outlet



RoHS2011/65/EU

Part Number	A	B	C	D	E	∅F MIN.	∅F MAX.	G	H	I
FMK1G	15.0	25.0	31.8	39.5	15.4	3.0	9.5	20.8	42.4	12.0
FMK2G	16.0	33.3	40.3	41.0	15.4	3.0	8.5	23.3	43.5	12.0
FMK3G	28.0	47.0	54.0	45.0	15.4	3.0	8.5	31.7	47.7	12.0
FMK4G	44.5	63.5	70.2	48.0	18.5	3.0	12.0	48.2	50.4	15.0
FMK5G	42.0	61.1	67.8	48.0	18.5	3.0	12.0	45.8	50.4	15.0

FMK1 TO FMK5
45° Cable Outlet



RoHS2011/65/EU

Part Number	A	B	C	D	E	∅F MIN.	∅F MAX.	G	H	I
FMK1	15.0	25.0	31.8	39.5	15.4	3.0	9.5	20.8	42.4	12.0
FMK2	16.0	33.3	40.3	41.0	15.4	3.0	8.5	23.3	43.5	12.0
FMK3	28.0	47.0	54.0	45.0	15.4	3.0	8.5	31.7	47.7	12.0
FMK4	44.5	63.5	70.2	48.0	18.5	3.0	12.0	48.2	50.4	15.0
FMK5	42.0	61.1	67.8	48.0	18.5	3.0	12.0	45.8	50.4	15.0

SPECIFICATIONS

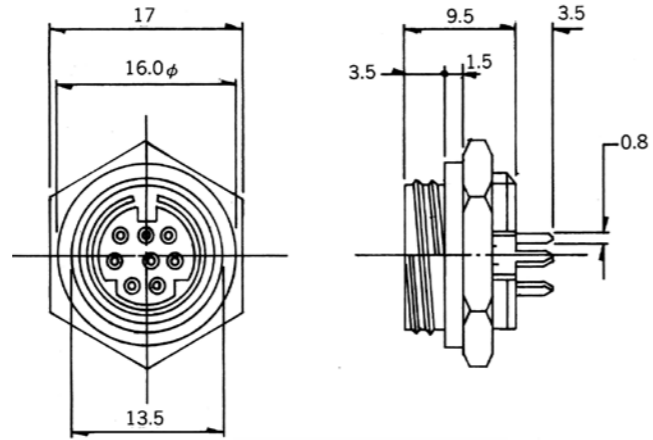
Insulation Resistance: 50MΩ min. at 250V DC
 Withstanding Voltage: 250V AC for 1 minute
 Contact Resistance: 30mΩ max.
 Rating: 1A max. at 100V AC
 2A max. at 12V DC
 Operating Temp. Range: -55°C to +85°C
 Mating Cycles: 1000 min.
 Soldering Temp.: 230°C / 3 sec.

MATERIALS AND FINISH

Housing: Thermoplastic
 Contact: Phosphor Bronze

FEATURES

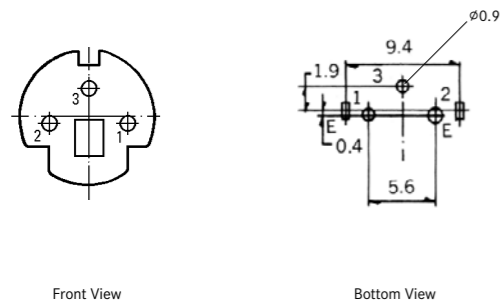
- 180° Pin Through Hole Jam-Nut socket, screw type
- Hex Nut M14, P1.0
- RoHS2011/65/EU



CONTACT ARRANGEMENTS AND PCB LAYOUTS

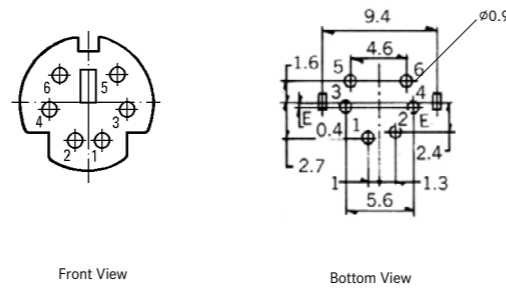
PART NO.: MDINO3G

3 Pins



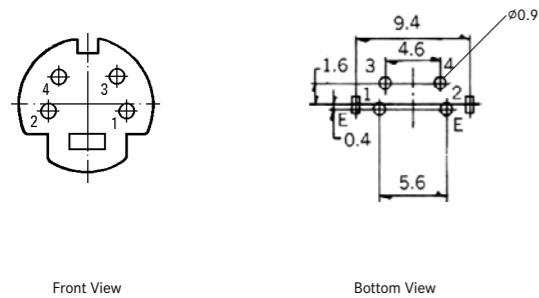
PART NO.: MDINO6G

6 Pins



PART NO.: MDINO4G

4 Pins

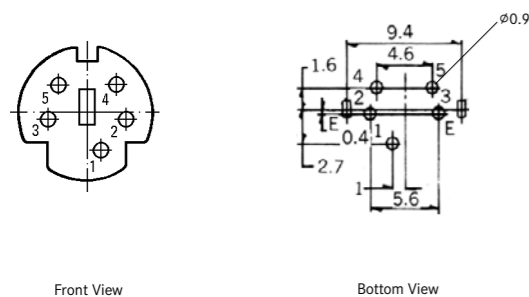


7 Pins

Not Available

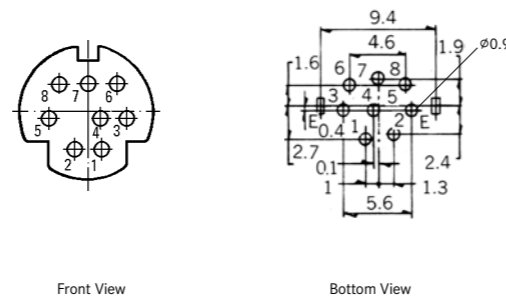
PART NO.: MDINO5G

5 Pins



PART NO.: MDINO8G

8 Pins



SPECIFICATIONS

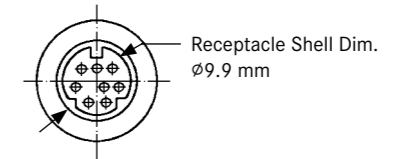
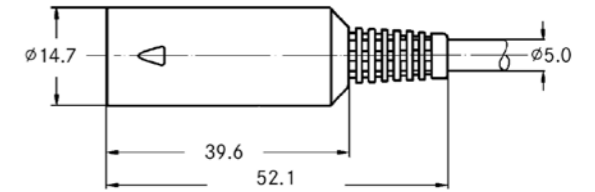
Insulation Resistance: 50MΩ min. at 250V DC
 Withstanding Voltage: 250V AC for 1 minute
 Contact Resistance: 30mΩ max.
 Rating: 100V AC / 1A max or
 12V DC / 2A max.
 Operating Temp. Range: -55°C to +85°C
 Mating Cycles: 1000 min.

MATERIALS AND FINISH

Housing: PVC
 Shell: Copper, Ni Plated
 Insulator: PC, Nylon
 Contact: Copper, Silver plated

FEATURES

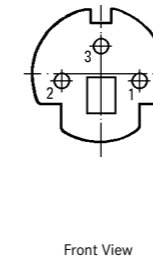
- 180° Assembled Receptacle Connector with Solder Cups
- RoHS2011/65/EU



CONTACT ARRANGEMENTS

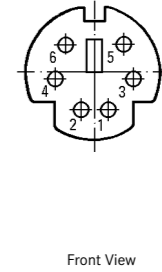
PART NO.: MDINO3J

3 Pins



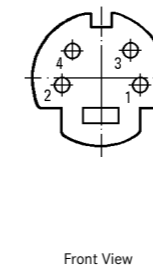
PART NO.: MDINO6J

6 Pins



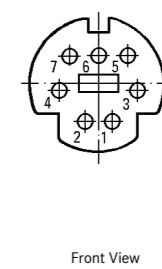
PART NO.: MDINO4J

4 Pins



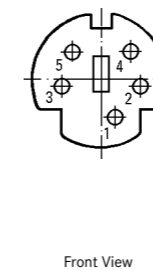
PART NO.: MDINO7J

7 Pins

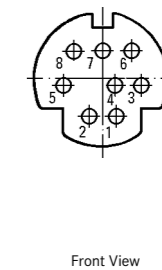


PART NO.: MDINO5J

5 Pins



PART NO.: MDINO8J 8 PINS



SPECIFICATIONS

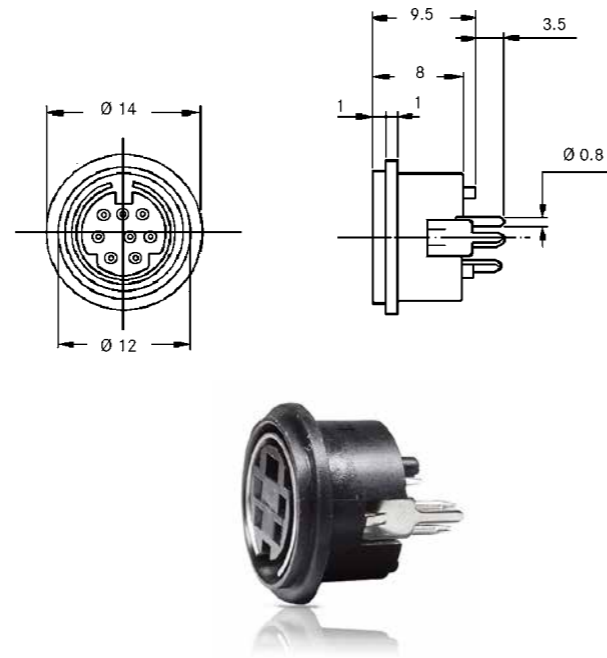
Insulation Resistance: 50MΩ min. at 250V DC
 Withstanding Voltage: 250V AC for 1 minute
 Contact Resistance: 30mΩ max.
 Rating: 1A max. at 100V AC
 2A max. at 12V DC
 Operating Temp. Range: -25°C to +80°C
 Mating Cycles: 1000 min.
 Soldering Temp.: 260°C / 10 sec.

MATERIALS AND FINISH

Housing: Thermoplastic
 Contact: Phosphor Bronze, Si Plating

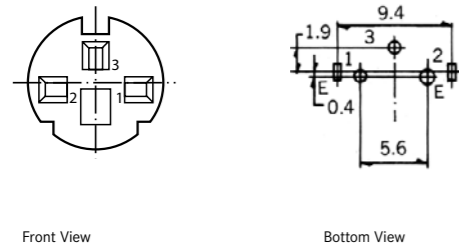
FEATURES

- 180° Pin Through Hole Socket
- Minimum ordering quantity is 1,000 pcs
- RoHS2011/65/EU

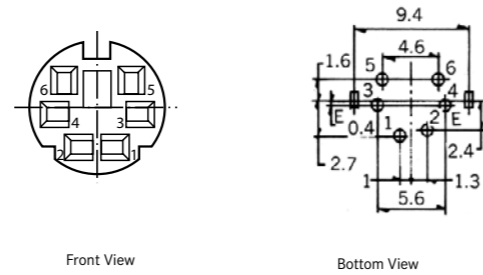


CONTACT ARRANGEMENTS AND PCB LAYOUTS

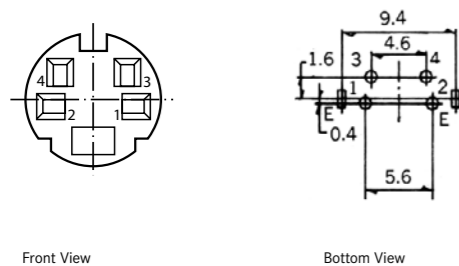
PART NO.: MDINO3K
3 Pins



PART NO.: MDINO6K
6 Pins



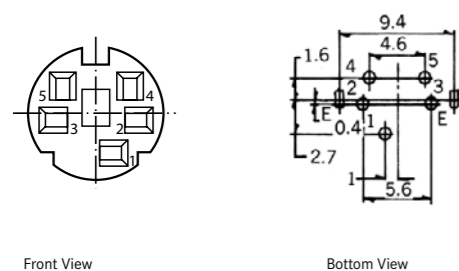
PART NO.: MDINO4K
4 Pins



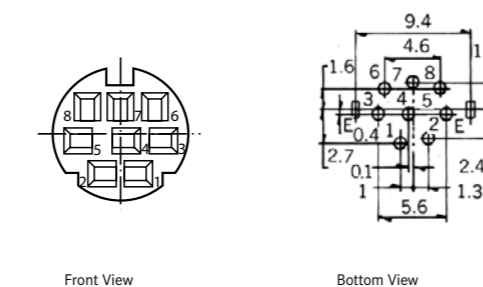
7 Pins

Not Available

PART NO.: MDINO5K
5 Pins



PART NO.: MDINO8K
8 Pins



SPECIFICATIONS

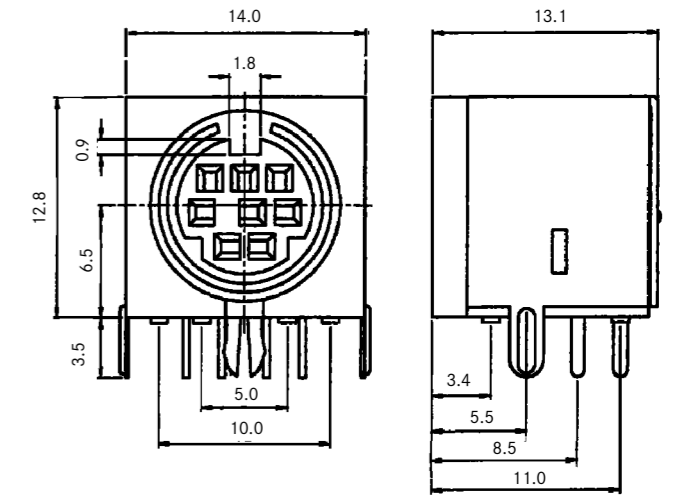
Insulation Resistance: 50MΩ min. at 250V DC
 Withstanding Voltage: 250V AC for 1 minute
 Contact Resistance: 30mΩ max.
 Rating: 1A max. at 100V AC
 2A max. at 12V DC
 Operating Temp. Range: -55°C to +85°C
 Mating Cycles: 1,000 min.
 Soldering Temp.: 260°C / 10 sec.

MATERIALS AND FINISH

Housing: Thermoplastic
 Contact: Phosphor Bronze

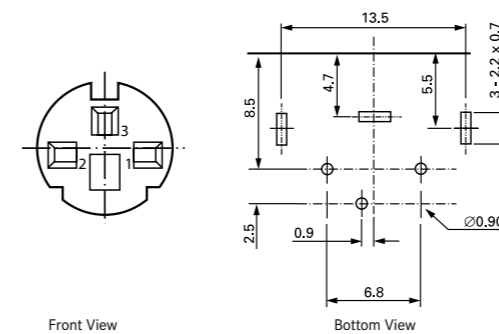
FEATURES

- 90° Pin Through Hole Receptacle (shielded)
- Minimum ordering quantity is 1,000 pcs
- RoHS2011/65/EU

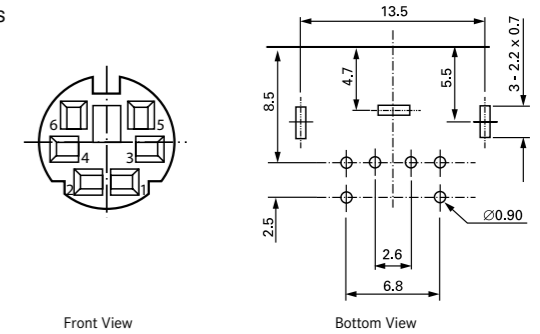


CONTACT ARRANGEMENTS AND PCB LAYOUTS

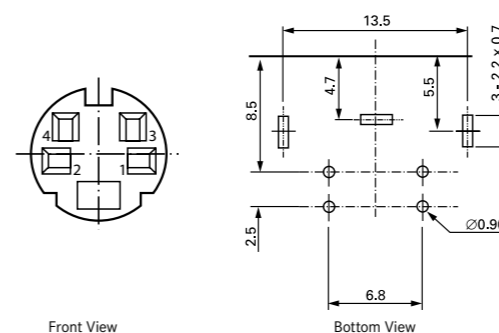
PART NO.: MDINO3SS
3 Pins



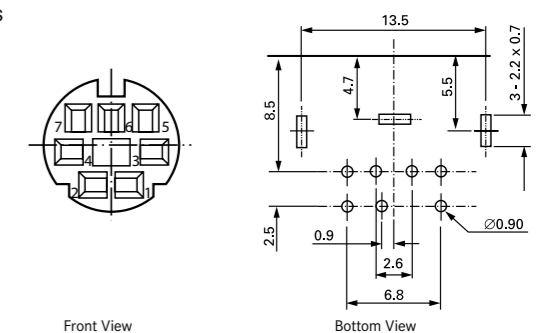
PART NO.: MDINO6SS
6 Pins



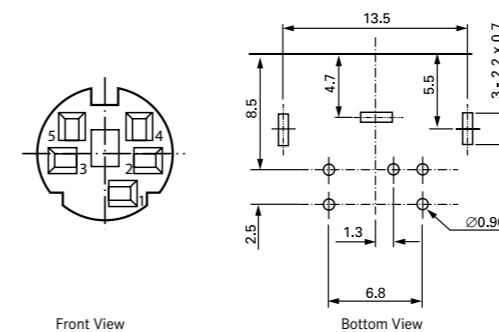
PART NO.: MDINO4SS
4 Pins



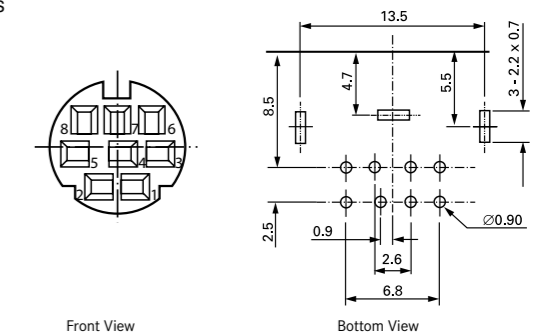
PART NO.: MDINO7SS
7 Pins



PART NO.: MDINO5SS
5 Pins



PART NO.: MDINO8SS
8 Pins



SPECIFICATIONS

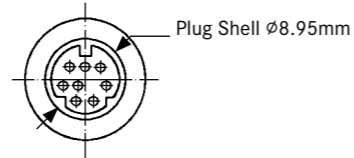
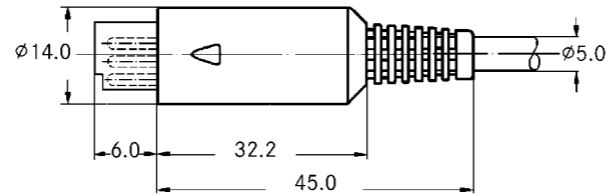
Insulation Resistance: 50MΩ min. at 500V DC
 Withstanding Voltage: 500V AC for 1 minute
 Contact Resistance: 30mΩ max.
 Rating: 2A max. at 12V DC
 Operating Temp. Range: -55°C to +85°C
 Mating Cycles: 1000 min.

MATERIALS AND FINISH

Housing: PE
 Shield: Brass, Ni Plated
 Insulator: Nylon 66
 Contact: Brass, Silver plated

FEATURES

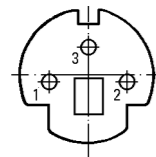
- Strain relief is included in the assembly parts
- RoHS2011/65/EU



CONTACT ARRANGEMENTS

PART NO.: MDINO3P/POT

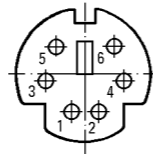
3 Pins



Front View

PART NO.: MDINO6P/POT

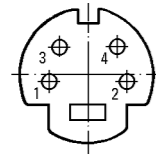
6 Pins



Front View

PART NO.: MDINO4P/POT

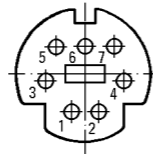
4 Pins



Front View

PART NO.: MDINO7P/POT

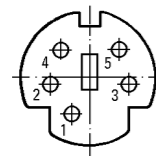
7 Pins



Front View

PART NO.: MDINO5P/POT

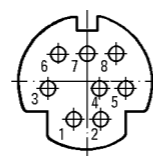
5 Pins



Front View

PART NO.: MDINO8P/POT

8 Pins



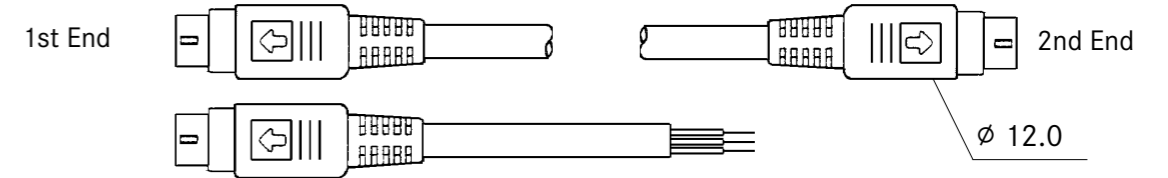
Front View

SPECIFICATIONS

Insulation Resistance: 2MΩ min. at 300V DC (AWG26 w/o UL)
 Dielectric Strength: 300V AC for 1 minute (AWG26 w/o UL)

FEATURE

- RoHS2011/65/EU



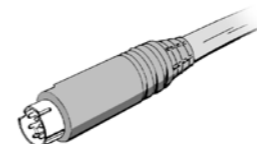
ORDERING CODE

CTMD 5 P - 5 J 1 S AO 1500

MiniDIN Cable Assembly
Pin Count (1st End): 3,4,5,6,7,8 and 9
Connector Type (1st End): P = Male J = Female
Pin Count (2nd End): 3,4,5,6,7,8 and 9 0 = Open End
Connector Type (2nd End): P = Male J = Female O = Open End (Cut Off) V = Open End, Jacket Stripped 40mm, Wire Ends Twisted and Tinned 5mm
Housing Types (See Drawings Below): 1 = Type 1 (Standard) 4 = Type 4 5 = Type 5 (Male with 3 to 8 pins and Female with 8 pins only)
Colour Code: S = Black (Standard) G = Grey B = Beige
Cable (Shielding and UL-Approval): AO = AWG26 (Standard) with Alu-foil, without UL-Approval AX = AWG24 or AWG28 with Alu-foil, without UL-Approval AU = AWG24, 26 or 28 with Alu-foil, with UL-Approval CU = AWG24, 26 or 28 with Cu braided Shield and with Alu-foil, with UL-Approval OO = AWG 24, 26 or 28 Unshielded, without UL-Approval
Info: Shielded cables always come with Drain Wire! OO = Minimum Ordering Length for Cable is 3,000 meters All others = Minimum Ordering Length for Cable 1,000 meters
Overall Length

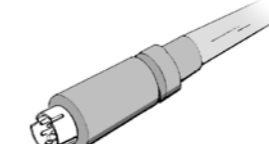
HOUSING TYPES

Type 1 (Molded)
Round Type (std.)



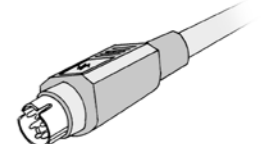
Male or Female
3 to 9 pins
Min. Order Qty. 100 pcs.

Type 4 (Molded)
Conical Type

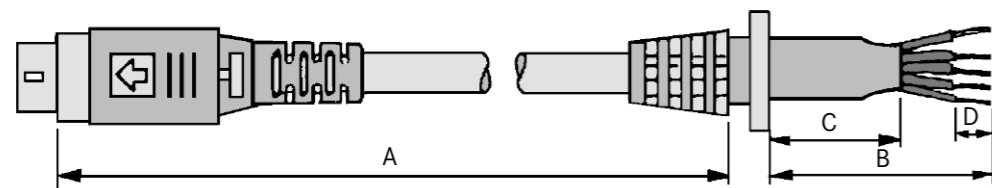


Male or Female
3 to 9 pins
Min. Order Qty. 100 pcs.

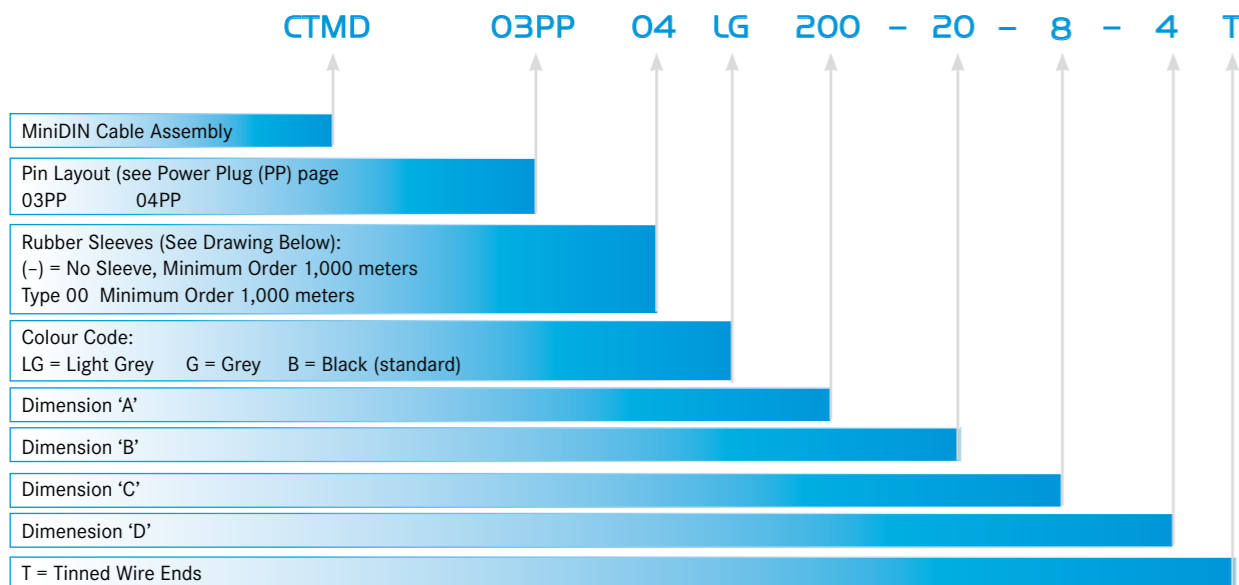
Type 5 (Mounted)
Quick Lock Housing



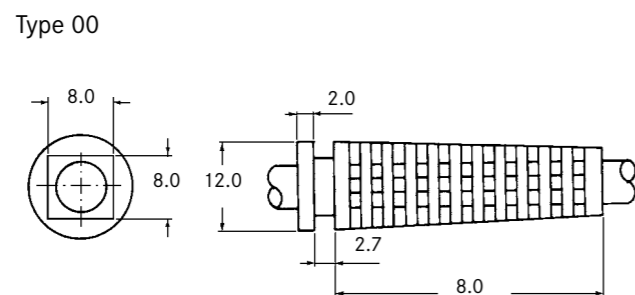
Male 3 to 8 pins
Female 8 pins only
Min. Order Qty. 100 pcs.



ORDERING CODE



AVAILABLE RUBBER SLEEVE



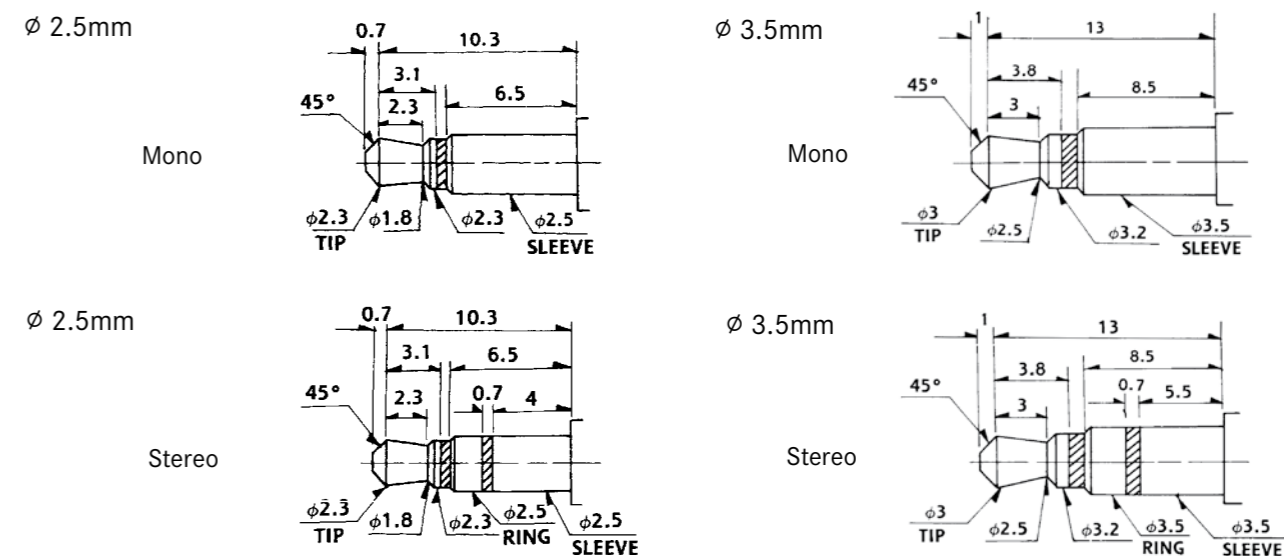
GENERAL SPECIFICATIONS FOR LJE SERIES

Insulation Resistance:	100MΩ min. at 500 V DC
Withstanding Voltage:	500 V AC for 1 minute
Contact Resistance:	30mΩ max. (initial)
Soldering Heat Test:	260 ±5°C for 5±1 seconds
Insertion Force:	0.3 to 2.0 Kg
Extraction Force:	0.3 to 2.0 Kg
Mating Cycles:	5,000 times

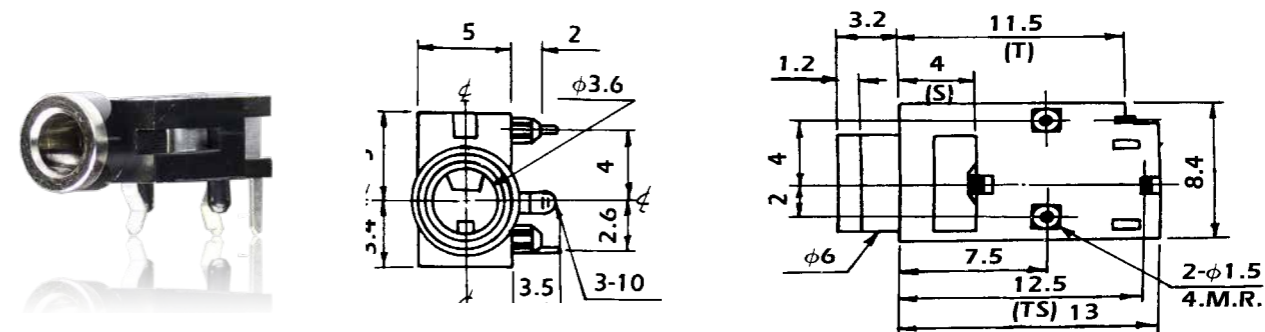
FEATURES

- More versions and SMT Earphones available on request
- RoHS2011/65/EU

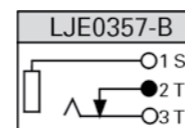
MATING PLUGS FOR LJE SERIES (TH EARPHONE JACKS)



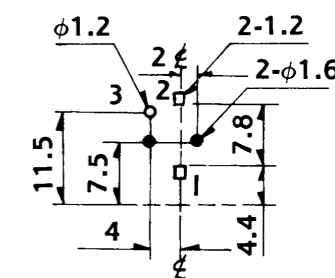
LJE0357-B



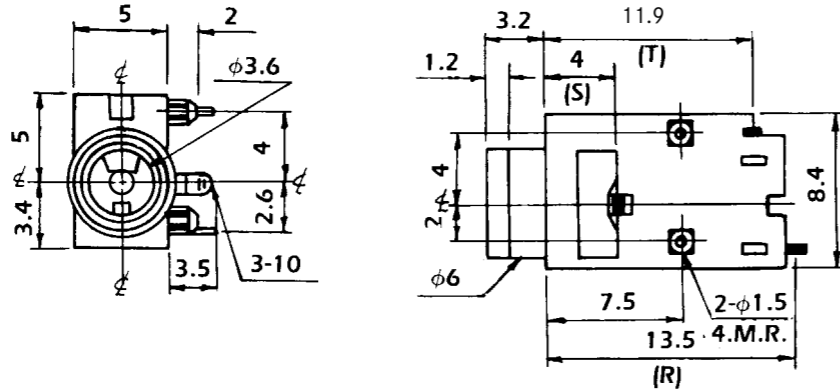
PART NO. (DETAILS)



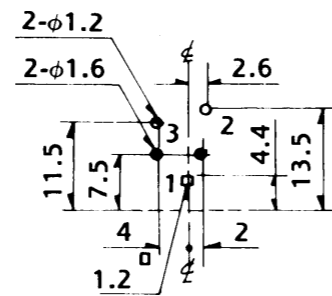
PCB-Layout (Bottom View)



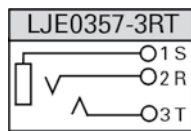
LJE0357-3RT (STEREO)



PCB-Layout (Bottom View)

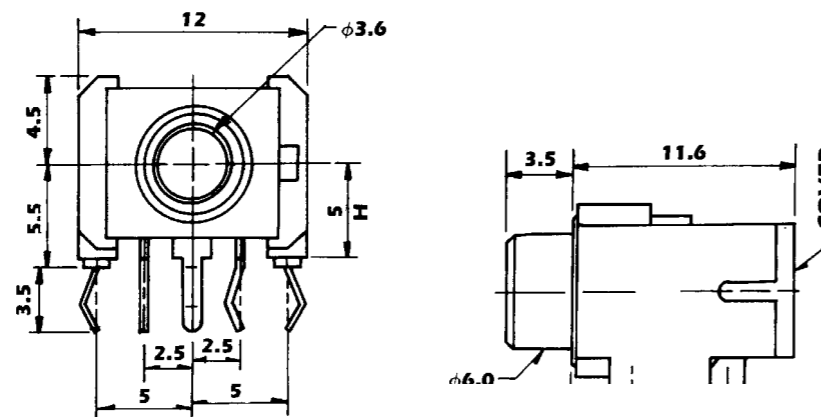


PART NO. (DETAILS)

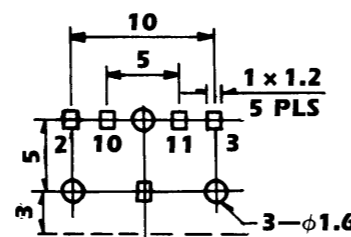


LJE0359AM3RT (W/O THREAD)

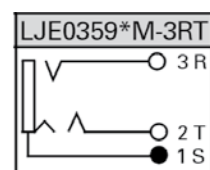
LJE0359M3RT (WITH THREAD)



PCB-Layout (Bottom View)



PART NO. (DETAILS)



OUR SERVICE
UNSER SERVICE

At the moment Yamaichi Electronics is the only supplier in the area of cable assemblies that offers connectors of its own connector series Y-Circ M (M12) and Y-Circ P (Push-Pull), RJ45 as well as USB connectors from a single source. The bundling of connector production and cable assembly at one production site guarantees short response times and a quick realisation of inquiries. Assemblies with bought-in components are also possible.

Yamaichi Electronics ist derzeit einziger Anbieter, der im Bereich Kabelkonfektionen eigene Steckverbinder der Serien Y-Circ M (M12) und Y-Circ P (Push-Pull), RJ45 sowie USB aus einer Hand anbieten kann. Diese Bündelung von Steckverbinder-Fertigung und Kabelkonfektionierung an einem Fertigungsstandort garantiert kurze Reaktionszeiten und eine schnelle Realisierung von Anfragen. Konfektionen mit Zukaufkomponenten sind ebenfalls möglich.

Step 1: Concept

Which connector system? Which cable? Which kind of housing? Such and many more questions as well as lots of hidden details come along with cable assemblies. With our long time experience we are able to support you individually with your specific needs.

Schritt 1: Konzept

Welcher Steckverbinder? Welches Kabel? Welche Art von Zubehör? Ist eine Umspritzung nötig? Diese und viele andere Fragen wie auch versteckte Detailprobleme treten bei der Spezifizierung von Kabelkonfektionen typischerweise auf. Wir können sie aufgrund unserer jahrelangen Erfahrungen individuell beantworten.

Step 2: Detailing

Design concepts, feasibility studies, 3D drafts and FMEAs can be provided by our development departments in Munich and Tunisia for a quick turnaround.

Schritt 2: Detaillierung

In unseren Entwicklungsabteilungen in München und Tunesien können wir die Design-Konzepte, Machbarkeitsstudien, 3D-Entwürfe und FMEAs kurzfristig für Sie erstellen.

Step 3: Production

Our experienced and highly engaged operators on the semi-automated production line together with a large machine park enable us to react fast and flexible to your demands. Moreover we are a partner in the UL-traceability program for wiring harnesses (ZPFW2) and processed wire (ZKLU/2/7/8).

Schritt 3: Produktion

Unsere erfahrenen und engagierten Mitarbeiter in den halbautomatischen Fertigungslinien sowie ein großer Maschinenpark ermöglichen es uns, schnell und flexibel auf Ihre Anforderungen zu reagieren. Ein zusätzliches Qualitätsmerkmal ist unsere Partnerschaft mit dem UL-Traceability Programm für Wiring Harnesses (ZPFW2) und Process Wire (ZKLU/2/7/8).

All cables and connectors can be equipped with molded parts and/or specially molded piece parts.

Sämtliche Kabel und Steckverbinder lassen sich mit Kunststoff umspritzen bzw. mit Kunststoffspritzgussteilen ausstatten.

- Overmolding of strain relief
- Overmolding of cable glands

- Anspritzen von Zugentlastungen
- Anspritzen von Kabeltüllen

Step 4: Test

Our test equipment is comparable with a certification company's equipment. We are able to simulate even the toughest industrial environments and we can take a „look inside“ the tested parts without destruction. Together with 100% testing this ensures constant quality.

Schritt 5: Test

Unsere Testlaboreinrichtung ist mit der Ausrüstung eines Zertifizierungsunternehmens vergleichbar. Wir sind in der Lage, selbst härteste industrielle Umgebungen zu simulieren, und können zerstörungsfrei in die Teile „hineinsehen“. Flankiert von unseren 100% Tests ist somit gleichbleibende Qualität sichergestellt.



Download Now – the new Cable Assemblies catalogue.

Jetzt zum downloaden – der neue Cable Assemblies Prospekt.

www.yamaichi.de/downloads/product-catalogues



Or order the printed catalogue / Oder bestellen Sie den gedruckten Prospekt

1. General

- 1.1 Our conditions of sale and delivery (in what follows "terms of business") apply exclusively to all of our business relationships with entrepreneurs, as understood in § 14 BGB - German Civil Code - (in what follows "purchasers"), as of 1st January 2011, whether entered into for the first time, ongoing or to be entered into in the future. They are also valid even in the event that when the respective business relationship is concluded they are not then referred to again.
- 1.2 Terms of our contractual partners that differ from our own terms of business will not be recognised unless we have expressly agreed to their validity in writing.

2. Offers, orders, conclusion of a contract

- 2.1 Our offers are in principle non-binding and subject to confirmation unless they are explicitly designated as binding offers. The sending of our price list(s) is not to be regarded as an offer. The technical information, details of use and product descriptions contained in our brochures and other sales documents contain no offer to sign a guarantee agreement as it is outlined in § 443 BGB*.*.
- 2.2 Ordering a product and/or service includes the binding offer on the part of the purchaser to purchase that product or service. We are entitled to accept the contractual offer implicit in the order within two weeks of receiving the order. The acceptance of the offer can be made by us either in writing or by means of the delivery/execution to/for the purchaser of the product/service ordered. We reserve the right to refuse orders and to do so without written declaration or providing more detailed reasons for such decisions. If in doubt, no response from us after the expiry of the deadline for acceptance should be taken as rejection.
- 2.3 If the order is made electronically we will confirm receipt of the order immediately. The confirmation of receipt itself still does not constitute any binding acceptance of the order; however it can be conjoined with a declaration of acceptance on our part.
- 2.4 In the case of verbally agreed contracts the scope of service of our deliveries will be determined through our written affirmation of the contract.

3. Delivery

- 3.1 Partial deliveries or services rendered in part are permissible and oblige our contractual partner to pay the proportional price unless the partial delivery or service is unacceptable to them.
- 3.2 For supply contracts on demand the whole set of orders counts as having been ordered by the purchaser one calendar month after the expiry of the deadline agreed for the order or, if there is no agreed deadline, three calendar months after the contract is signed.
- 3.3 If the purchaser is entitled to the division of the on call contingents and does not conduct the division within one calendar month of the expiry of the respectively agreed order deadline or, if such a deadline has not been set, one month after requested by us, we may divide, deliver and charge for the complete set of orders at our discretion.
- 3.4 Our deliveries are made "ex works Munich" as long as nothing else has been explicitly agreed upon. In the case of a delivery "ex works" the seller's and purchaser's duties regarding the method of delivery are determined according to the International Commercial Terms (INCOTERMS® 2010) in their current amendment.
- 3.5 The delivery and service deadlines stated by us are non-binding and subject to confirmation; they can be affected by delay in supply or production, or disruptions to operations. In the case of subsequent contractual amendments or supplementations, the delivery deadlines and dates will begin anew or be postponed correspondingly, even if they had already been confirmed by us beforehand. This holds insofar as in each respective case no differing agreement has been reached with the purchaser.
- 3.6 Should we default on delivery for reasons for which we are responsible, our liability will be limited to the foreseeable and direct average damage.

4. Default on acceptance

- 4.1 Should the purchaser default on acceptance or violate other cooperation obligations we are authorised, regardless of our duties in accordance with clauses 3.2 and 3.3, to withdraw from the contract at our discretion and to demand the damages accruing to us through the default or violation, including additional expenses.
- 4.2 In the case of default on acceptance, the risk of accidental loss or accidental deterioration of the delivered object shall devolve onto the purchaser as of the moment at which they defaulted on acceptance.

5. Prices and payments

- 5.1 Our prices are to be understood as being principally in net cash in Euros, ex works/warehouse Munich, plus dispatch and packaging costs, insofar as nothing else is agreed in writing. Regulatory charges, customs duties and taxes are to be paid separately in the respective amounts applicable at the time of invoicing.
- 5.2 In the case of a single order with a net value of less than €100.00 we are entitled to add an additional small-order surcharge of €30.00 to our prices.
- 5.3 Our prices are valid for six weeks from the day the contract is signed. The agreed prices only apply to the respective completed order.
- 5.4 Price changes are admissible if there are more than six weeks between the signing of the contract and the agreed delivery date. If, after that period and until the completion of the delivery, the wages, material costs or cost prices (listed prices) rise in line with real market conditions or the exchange rates change, we will be entitled to raise the price appropriately, according to the increase in costs.
- 5.5 The first three deliveries will only be made if paid for in cash on delivery. For further follow-up deliveries our invoices are to be paid in full in net cash within 30 days of the date on which the invoice or an equivalent statement of payment is issued.
- 5.6 Payment deadlines are recognised as having been complied with if we have the amount at our disposal within the deadline. Our representatives and/or commissaries must only be paid by way of discharge if they provide evidence of a written authorisation of collection.
- 5.7 Should the purchaser default on their payment obligation, either in whole or in part, they must from this point onwards - notwithstanding our other further rights - pay default interest in the amount of 5% per year above the base interest rate set by the European Central Bank, insofar as we do not provide evidence of greater damages.
- 5.8 For each written warning regarding an invoice which is made after entering into default, we are entitled to demand a fixed processing fee of €5.00.
- 5.9 Offsetting or retention on the part of the purchaser is precluded unless the offsetting or retention claim is undisputed or established to be legally binding. We are entitled to avert the exercise of the right of retention by providing security, even without a guarantee.
- 5.10 If the purchaser ceases payments, has excessive debts, is subject to an application to open insolvency proceedings, or comes into default on the redemption of due drafts or cheques, our total claims will be due immediately. The same applies in the case of any other substantial decline in the purchaser's financial standing. In these cases we are entitled to demand sufficient security and to withdraw from the contract.

6. Retention of title

- 6.1 The goods remain our property until the fulfilment of all claims existing between ourselves and the purchaser (goods subject to retention of title), even if individual goods have already been paid for. A pledge or chattel mortgage of the goods subject to retention of title is not permissible.
- 6.2 In the case of the resale or passing on of goods subject to retention of title - as permitted within the framework of proper business operations - the purchaser proceeds to us, at that point in time and up until repayment of all claims due to us, all future claims accruing to them from the resale or passing on of the goods to their customers as security, without particular explanations being necessary at a later date. This also extends to outstanding balances, which arise within the framework of the existing current account relationships or with the termination of those kinds of relationships between the purchaser and their customers. If the goods subject to retention of title are resold or passed on together with other objects without a unit price having been agreed for the goods subject to retention of title, the purchaser cedes to us, with priority over any other claims, that part of the total asking price or the total price obtained by the passing on of the goods that corresponds to the price of the goods subject to retention of title invoiced by us. The purchaser is authorised to collect the assigned claims arising from the resale or passing on until this authorisation is revoked; they are however not entitled to use them in any other way e.g. by assignment. The purchaser must make the customer aware of the assignment on our request, as well as issue us with the documents necessary for asserting rights against their customers e.g. invoices, and provide us with all the necessary information. The purchaser shall bear all the costs of the collection and of any possible interventions.

- 6.3 Should the purchaser receive an exchange on the basis of the authorisation granted to them to collect the assigned claim, the property listed in these papers is transferred to us with the recognised right of security. The handing over of the objects of exchange will be replaced by the agreement that the purchaser will take charge of them for us and then immediately deliver them to us with endorsement. If the equivalent value of the claim assigned to us in cheques is paid to the purchaser or to one of their financial institutions, they are obliged to disclose receipt immediately and to then make the payment. Ownership of the cheques is transferred to us, according to our recognised rights, as soon as the purchaser receives them. The handing over of the papers will be replaced by the agreement that the purchaser will take charge of them for us and then immediately deliver them to us with endorsement.
- 6.3 If the purchaser processes the goods subject to retention of title, transform them or amalgamate them with other objects, this processing, transformation or amalgamation takes place on our behalf. We will immediately become the owner of the objects produced by means of the processing, transformation or amalgamation. Should this not be possible on legal grounds, we and the purchaser agree that we will be the owner of the new objects at every step of the processing, transformation or amalgamation. The purchaser will keep the new objects safe for us with due professional care and diligence. The objects resulting from the processing, transformation or amalgamation count as goods subject to retention of title. In the case of processing, transformation or amalgamation with other objects not belonging to us, we are entitled to co-ownership of the new objects in the ratio of the value of the processed, transformed or amalgamated goods subject to retention of title to the value of the new goods. In the case of sale or rental of the new objects, the purchaser herewith cedes to us their claim deriving from the sale or rental to their customers with all subsidiary rights as security, without further explanations being required at a later date. However, the transfer only applies in the amount that corresponds to the value of the processed, transformed or amalgamated goods subject to retention of title invoiced by us. The share of the claim assigned to us takes priority over the other claim.
- 6.4 Should the goods subject to retention of title be amalgamated with properties or movables by the purchaser, the purchaser also cedes to us the claim which is otherwise due to them as salary for the amalgamation with all subsidiary rights as security, without further particular explanations being required.
- 6.5 If the purchaser defaults on their payment obligation or on the redemption of due exchanges or cheques, either in whole or in part, or excessive debts or suspensions of payment arise, or an insolvency application is filed, we are authorised to immediately take back all goods still under retention of title. We can also make the further rights resulting from the retention of title immediately applicable. The same applies to any other substantial decline in the financial standing of the purchaser. The purchaser shall grant us or one of our commissaries access to their entire business premises during business hours. Demand for issuance or appropriation does not constitute withdrawal from the contract. We are entitled to utilise the goods subject to retention of title with due professional care and diligence and to pursue our own satisfaction, taking into account the open claims associated with the proceeds.
- 6.6 Should the value of the security exceed by more than 20% in total our claims against the purchaser resulting from the current business relationship, we are obliged on the request of the purchaser to release the security due to them at their discretion.

7. Claims of the purchaser in relation to defects

- 7.1 Only our description of the product or that of the manufacturer counts as an agreement on the quality of the goods. Public statements, promotion or advertising on the part of the manufacturer do not constitute contractual information regarding the quality of the goods.
- 7.2 The purchaser is obliged to fulfil their duties of inspection and notification of defects, as owed in accordance with § 377 HGB - German Code of Commercial Law. Goods delivered by us count as having been approved in conformity with the contract if we do not receive a written notification from the purchaser within 14 days of receipt of the goods, or at the latest 18 days after their delivery ex works, in which is concretely disclosed what complaints are being raised. Quantity differences of less than 5% in mass-produced articles do not constitute entitlement to a claim of defect. Insofar as nothing else is agreed in writing, our deliveries will each be performed to the standard existing at the time the order is made.
- 7.3 The claims are restricted at our discretion to removal of the defect or delivery of a defect-free item (a supplementary performance). In the case of failure regarding the supplementary performance, the purchaser has the right to depreciate or to withdraw from the contract at their discretion.
- 7.4 Further claims of the purchaser, in particular those following from damages consequential to a defect, are in principle precluded. This does not apply in the case of malice, gross negligence or breach of fundamental contractual obligations by us, or in the case of injury of life, body or health. The right of the purchaser to withdraw from the contract remains unaffected.
- 7.5 Liability for defects which can be attributed to unsuitable or inappropriate use, defective assembly - in particular under non-observance of the installation instructions - or start-up by the purchaser or a third party, natural wear and tear, defective or negligent handling, unsuitable operating components or replacement materials, or chemical, electrochemical, electrical, electronic or weather influences is excluded, insofar as the fault cannot be attributed to us.
- 7.6 The warranty period for material defects ad defects of title is one year.
- 7.7 The purchaser will not receive guarantees in the legal sense from us. Manufacturers' warranties remain unaffected by this.

8. Liability

We will assume liability for claims for damages made by the purchaser as follows:

- a) Liability for personal injury is determined according to legal provisions.
- b) Liability for property damage is restricted to €250,000.00 per event and €500,000.00 in total.
- c) Liability for financial losses including direct losses and loss of profit is excluded.

The limitations on liability under b) and the disclaimer of liability under c) do not apply insofar as mandatory liability applies for damages to privately used objects in accordance with the law concerning product liability, or in cases of malice, gross negligence or breach of fundamental contractual obligations, or the lack of guaranteed characteristics for damages that are typical and reasonably foreseeable for this type of contract.

9. Other issues, place of fulfilment, place of jurisdiction

- 9.1 Ancillary verbal agreements only count as part of the contract if they are confirmed by us in writing.
- 9.2 Should a clause of these contractual conditions be completely or partially void and/or ineffective, the remaining conditions will not be affected. Rather, an ineffective condition should be replaced by another which is as near as possible to the economic intention.
- 9.3 If the purchaser is a businessman, Munich is the exclusive place of jurisdiction. The same place of jurisdiction applies if at the time of instigation of a lawsuit the purchaser has no general place of jurisdiction in the Federal Republic of Germany. The purchaser is, however, entitled to call upon any responsible court which can be deemed legally responsible.
- 9.4 The laws of the Federal Republic of Germany apply. The Hague Convention of 1st July 1964, concerning uniform laws regulating international purchases, and the treaty of the United Nations of 11th April 1980, concerning contracts of international sale of movable objects, do not apply.

C

CPSRJ4508F-ORJ00RD-035TXC.....	46
CT09-15P	77
CT09-15P1-*	79
CT09-15P5K27*	81
CT09-15PK211	77
CT09-15S	78
CT09-15S1	80
CT09-15S5K22*	82
CT09-15S5-S2-K228-*	83
CT09-15S5-S3-K228-*	76
CT15-26P	77
CT15-26P1-*	79
CT15-26P5K27*	81
CT15-26S	78
CT15-26S1	80
CT15-26S5K22*	82
CT25-44P	77
CT25-44P1-*	79
CT25-44P5K27*	81
CT25-44S	78
CT25-44S1	80
CT25-44S5K22*	82
CT37-62P	77
CT37-62P1-*	79
CT37-62P5K27*	81
CT37-62S	78
CT37-62S1	80
CT37-62S5K22*	82
CT50-78P	77
CT50-78P1-*	79
CT50-78S	78
CT50-78S1	80
CT50-78S5*22*	82
CTMD (cable ass.)	101
CTMD (power ass.)	104

D

DD-09*NT-S-**	85
DD-15*NT-S-**	85
DD-25*NT-S-**	85
DD-37*NT-S-**	85
DD-50*NT-S-**	85
DDP-01**1	92
DDP-02**1	92
DDP-03**1	92
DDP-04**1	93
DDP-05**1	93
DDP-06**1	93
DDP-07**1	93
DDP-08**1	93
DDP-09**1	93
DDP-10**1	92
DF2-09*M-**	90
DF2-15*M-**	90
DF2-25*M-**	90

DF2-37*M-**	90
DPS-20-S9-AL-R-V1	62
DPS-20-S9-AL-R-V2	63
DPS-20-S9-AL-R	64
DPS-20-T9-BL-TRAY	61
DR*-09*1*	86
DR*-15*1*	86
DR*-25*1*	86
DR*-37*1*	86
DRF-09*1*-ZN	91
DRF-15*1*-ZN	91
DRF-25*1*-ZN	91
DRF-37*1*-ZN	91
DRS-09P12-*	87
DRS-25S12-*	87
DS-09*NT-S	84
DS-15*NT-S	84
DS-25*NT-S	84
DS-37*NT-S	84
DS-50*NT-S	84
DSM-09P-G2-V-*	88
DSM-09S-G2-V	89
DSM-25P-G2-V-*	88

F

FKC*	94
FKC*G	94
FKH*	95
FMK*	95
FMK*G	95
FPHGR-*	94

L

LJE0357-3RT	106
LJE0357-B	105
LJE0359AM3RT	106
LJE0359M3RT	106
LJE (mating plugs)	105

M

MDINO*G	96
MDINO*J	97
MDINO*K	98
MDINO*PP	103
MDINO*P/POT	100
MDINO*SP	102
MDINO*SS	99

N

NCP036-020-BF	70
NCP036-030-BF	70
NCP050-020-BF	70
NCP050-030-BF	70
NCS020Z-022-DF (01)	71
NCS036-D002-K13289	72
NCS036Z-022-DF (01)	71
NCS050Z-022-DF (01)	71
NHA026-MC01	74
NHA036-MC02	75
NHA050-MC02	75

P

PKH019-500100-00**-VE	60
PKH019-500500-00**-VE	60
PKS019-40*0-0	57
PKS019-40*1-0	58
PKS019-5000-OVE	59
PKS019T-M-S9-T&R	56
PKS019T-S9-FL-1-Tray-F	55
PKS019T-SI-FL-2-Tray-F	55

R

RJ45-P886APCSC-AAT24	46
RJ45-P8805PCSC-AAT24	46
RJ45-P8806PCSC-AAT24	46
RJ45-PAS-05	46
RJ45-PAS-06	46
RJ45-PAS-06	46

T

TS6K88-A	49
TS6K88-S	47
TS3004SMT-8P10C	48
TS3004ST-881SMT-T&R	47
TS3009S-881R	51
TS3014S-66-1	50
TS3014S-88-1	51
TS3017S1-8821	52
TS3022S-2661	54
TS3022S-2881	54
TS3030-881	48
TS3046-881-LED-YG	49
TS3046S-881	50
TS3046S-02880ER	53
TS3061S-881-GREEN-GREEN	52
TS3101S-881	53

U

USB-3.0-9A-P-*L -BU	20
USB-3.0-9B-P-BL-BU	23
USB-3.0-9B-T1-*L-TR	21
USB-3.0-9B-T9-BL-TR	22
USB-3.0-9A-S9-BL-R	17
USB-3.1- A-T9-AL-TRAY	9
USB-3.1-C-ST9-AL-TR	10
USB-3.1- C-CP-AL-TRAY	11
USB-3.0- 9A-T9-BL-TR	16
USB-3.0-A-S9-AF-R-UL94	18
USB-3.0-A-T9-DPS-2-FL-T	19
USB-3.0-A-T9-DPS-4-FL-T	19
USB-3.0MC-10AB-S9-BL-R	12
USB-3.0MC-10A-P-BL-BU	14
USB-3.0MC-10B-P-BL-BU	15
USB-3.0MC-10B-S9-BL-R	13
USB-A-001A	25
USB-A-003	26
USB-A3.0 (matching cables)	24
USB-A-003-30-V1	26
USB-A-004	27
USB-A-004-30-V1	27
USB-A-005A	28
USB-A-P01	29
USB-APOWER-001-0*	30
USB-APOWER-P0*	31
USB-B-001	32
USB-B-004	33
USB-B-P01	34
USB-M04-003	39
USB-M04-P	40
USB-M05-003	37
USB-M05-P	38
USB-M08-003A	35
USB-M08-P	36
USB-MC5-002	41
USB-MC5-003	43
USB-MC5-004	42
USB-MC5-0010	44

Y

Y-QLS-52P-LL-THT9-P-EDC	
-------------------------------	--



INPUT /OUTPUT CONNECTORS

Version November 2018

TECHNICAL DATA ARE SUBJECT TO ALTERATION WITHOUT PRIOR NOTICE

YAMAICHI ELECTRONICS

Deutschland GmbH
Concor Park
Bahnhofstraße 20
85609 Aschheim-Dornach
Germany

Phone +49 (0)89 45109-0
Fax +49 (0)89 45109-110
E-Mail sales@yamaichi.de
Web www.yamaichi.de

YAMAICHI ELECTRONICS

Italia s.r.l.
Centro Direzionale Colleoni
Via Colleoni, 1
Palazzo Taurus Ing. 1
20864 Agrate Brianza (MB)
Italy

Phone +39 039 6881-185
Fax +39 039 6892-150
E-Mail sales@yamaichi.it
Web www.yamaichi.it

YAMAICHI ELECTRONICS

GB Ltd.
6 The Clockhouse
Stratton Park
Micheldever
Hampshire SO21 3DP
Great Britain

Phone +44 (0)7808 493377
Fax +44 (0)1962 774902
E-Mail sales@yamaichi.co.uk
Web www.yamaichi.co.uk